

Instructions for Parts Books

The heading at the top of the page will be the same for the picture of the parts as it is for the page with the part numbers.

Definition of column headings on part number pages:

REF.No → The number referring to the part on the picture page of the parts book.

Part No. → The number assigned to this part at the time of printing the parts book.

Description → Description of part.

Q'ty → Quantity of part used on that page.

S.No. → Serial number range of the equipment that this part will fit.

>= Your serial number should be greater than or equal to the number shown.

<= Your serial number should be lesser than or equal to the serial number shown.

I/C → Interchangeability of part shown.

↔ The part shown will work for the older and later serial number.

The part shown is not interchangeable with the other serial number.

← new for old

→ old for new

Remarks → Notes about this particular part. Sometimes this may say except [FR] or [CA]

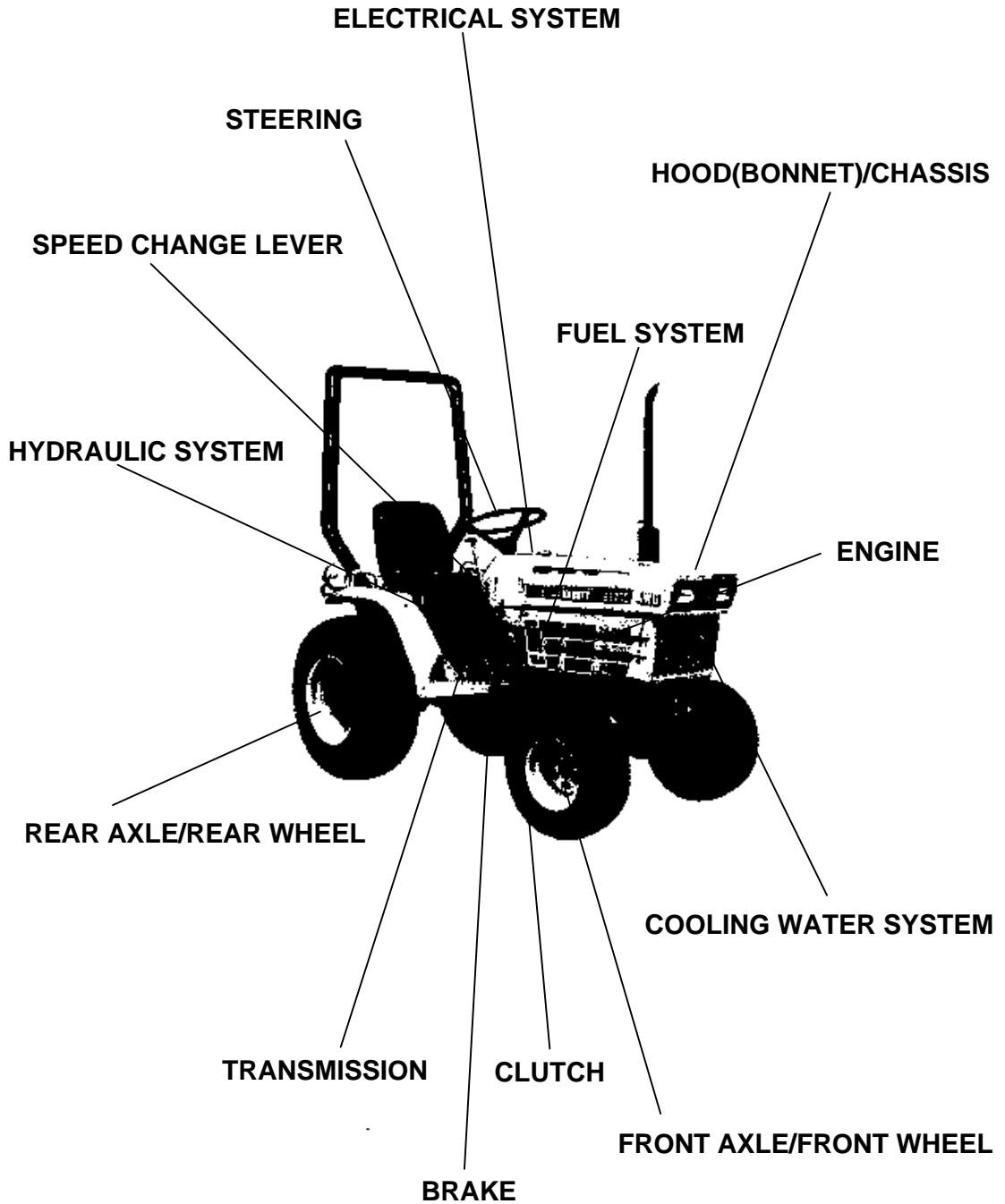
Note about Country Codes:

The parts books we use in the United States of America may also contain information about a part that would be different in another country. It is important that you are aware of the country codes in some instances.

Symbol	Country
A	United States of America
CA	Canada
FR	France
GR	Greece
PO	Portugal
AU	Australia

If the remarks column says for example EXCEPT [FR] this part works in all countries except France. That means it will work here in the USA.

ALL PRODUCT INDEX
B5200D

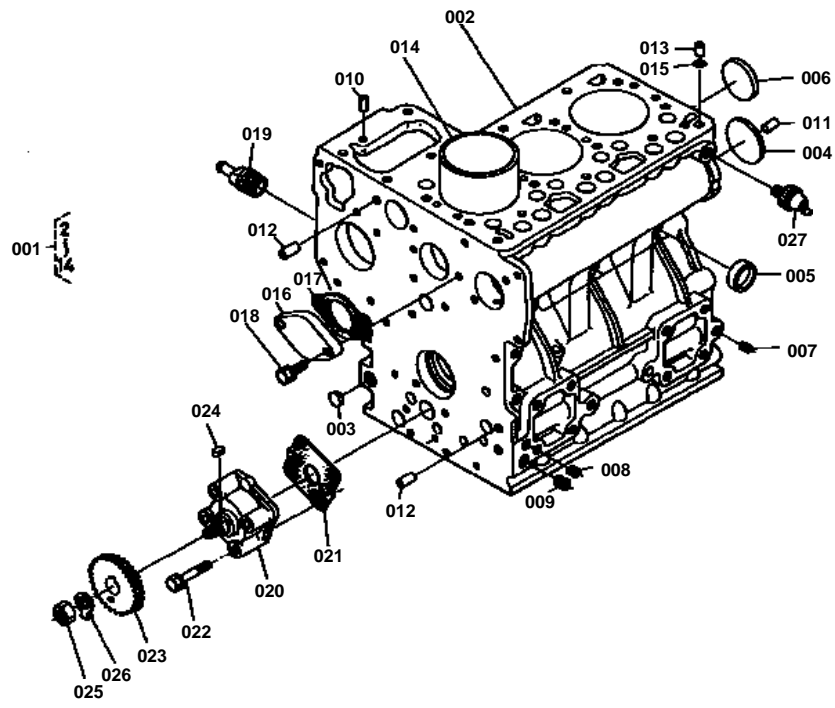


LABELS
ACCESSORIES

Item	Part No.	Description	Book
ENGINE	01T001	CRANKCASE GROUP	100K0073
	01T002	OIL PAN GROUP	100K0073
	01T003	CYLINDER HEAD GROUP	100K0073
	01T004	GEAR CASE GROUP	100K0073
	01T005	MAIN BEARING CASE	100K0073
	01T006	CYLINDER HEAD COVER GROUP	100K0073
	01T007	INLET MANIFOLD EXHAUST MANIFOLD GROUP	100K0073
	01T008	VALVE/ROCKER ARM GROUP	100K0073
	01T009	CAMSHAFT GROUP	100K0073
	01T010	ENGINE STOP LEVER GROUP	100K0073
	01T011	GEAR PUMP GROUP	100K0073
	01T012	PISTON/CRANKSHAFT GROUP	100K0073
	01T013	FLYWHEEL GROUP	100K0073
	01T014	NOZZLE HOLDER GROUP	100K0073
	01T015	SPEED CONTROL PLATE GROUP	100K0073
	01T016	GOVERNOR GROUP	100K0073
	01T017	FUEL CAMSHAFT GROUP	100K0073
	01T018	DYNAMO/STARTER GROUP	100K0073
	01T019	WATER FLANGE GROUP	100K0073
	01T020	WATER PUMP GROUP	100K0073
HYDRAULIC SYSTEM	01T084	GEAR PUMP [SECTION PARTS]	100K0073
ENGINE	01T085	NOZZLE HOLDER [SECTION PARTS]	100K0073
	01T086	INJECTION PUMP [SECTION PARTS]	100K0073
ELECTRICAL SYSTEM	01T087	DYNAMO [SECTION PARTS]	100K0073
	01T089	STARTER [SECTION PARTS]	100K0073
TRANSMISSION	01T021	TRANSMISSION CASE GROUP	100K0073
	01T022	BEARING HOLDER GROUP	100K0073
	01T023	COVER GROUP	100K0073
	01T024	CASE COVER GROUP	100K0073
	01T025	AXLE CASE GROUP	100K0073
CLUTCH	01T026	CLUTCH ROD GROUP	100K0073
	01T027	CLUTCH GROUP	100K0073
TRANSMISSION	01T028	2ND SHAFT GROUP	100K0073
	01T029	3RD SHAFT GROUP	100K0073
	01T030	4TH SHAFT/5TH SHAFT GROUP	100K0073
	01T031	SPIRAL BEVEL SHAFT GROUP	100K0073
	01T032	PTO SHAFT GROUP	100K0073
	01T033	REVERSE SHAFT GROUP	100K0073
REAR AXLE/REAR WHEEL	01T034	REAR DIFFERENTIAL GROUP	100K0073
	01T035	REAR AXLE GROUP	100K0073
	01T036	REAR WHEEL GROUP (7-16) [B5200E-P, B5200D-P]	100K0073
	01T037	REAR WHEEL GROUP (29 X 12.00-15) [B5200E-PT,B5200D-PT]	100K0073
SPEED CHANGE LEVER	01T038	SPEED CHANGE FORK GROUP	100K0073
	01T039	MAIN SPEED CHANGE GROUP	100K0073
	01T040	AUX.SPEED CHANGE GROUP	100K0073
	01T041	ROTARY SPEED CHANGE FORK GROUP	100K0073
BRAKE	01T042	BRAKE GROUP	100K0073
HYDRAULIC SYSTEM	01T043	HYDRAULIC PIPING GROUP	100K0073
	01T044	HYDRAULIC BLOCK GROUP	100K0073
	01T045	HYDRAULIC 1 GROUP	100K0073
	01T046	HYDRAULIC 2 GROUP	100K0073
STEERING	01T047	STEERING GROUP	100K0073
SPEED CHANGE LEVER	01T048	SPEED CHANGE LEVER GROUP	100K0073
BRAKE	01T049	BRAKE ROD GROUP	100K0073

Item	Part No.	Description	Book
CLUTCH	01T050	PEDAL GROUP	100K0073
TRANSMISSION	01T051	RELEASE LEVER GROUP	100K0073
HOOD(BONNET)/CHASSIS	01T052	SEAT GROUP	100K0073
LABELS	01T053	NAME PLATE GROUP	100K0073
HOOD(BONNET)/CHASSIS	01T054	CLUTCH HOUSING/STEP GROUP	100K0073
	01T055	FRONT AXLE FRAME GROUP	100K0073
COOLING WATER SYSTEM	01T056	RADIATOR GROUP	100K0073
HOOD(BONNET)/CHASSIS	01T057	FENDER GROUP	100K0073
	01T058	HOOD GROUP	100K0073
ELECTRICAL SYSTEM	01T059	BATTERY GROUP	100K0073
ENGINE	01T060	MUFFLER AND MUFFLER PIPE GROUP	100K0073
FUEL SYSTEM	01T061	FUEL TANK GROUP	100K0073
	01T062	FUEL PIPE GROUP	100K0073
	01T063	FUEL FILTER GROUP	100K0073
ELECTRICAL SYSTEM	01T064	PANEL GROUP	100K0073
	01T065	PANEL SWITCH GROUP	100K0073
ENGINE	01T066	DECOMPRESS WIRE AND ENGINE STOP WIRE GROUP	100K0073
ELECTRICAL SYSTEM	01T067	FLASHER LAMP GROUP	100K0073
ENGINE	01T068	AIR CLEANER GROUP	100K0073
FRONT AXLE/FRONT WHEEL	01T073	FRONT AXLE CASE GROUP	100K0073
	01T074	FRONT WHEEL GEAR CASE GROUP	100K0073
	01T075	KNUCKLE ARM GROUP	100K0073
	01T076	FRONT DIFFERENTIAL GROUP	100K0073
	01T077	FRONT WHEEL HUB GROUP	100K0073
	01T078	DRIVE SHAFT GROUP	100K0073
	01T079	FRONT WHEEL GROUP (5-12) [B5200D-P]	100K0073
	01T080	FRONT WHEEL GROUP (20.5 X 8.00-10) [B5200D-PT]	100K0073
HYDRAULIC SYSTEM	01T081	3-POINT LINKAGE GROUP	100K0073
	01T082	POSITION CONTROL VALVE (OPTION)	100K0073
ELECTRICAL SYSTEM	01T083	WORKING LIGHT (OPTION)	100K0073
HYDRAULIC SYSTEM	01T088	CONTROL VALVE [SECTION PARTS]	100K0073
	01T090	CONTROL VALVE (OPTION) [SECTION PARTS]	100K0073
ACCESSORIES	01T091	ACCESSORIES AND SERVICE PARTS	100K0073

CRANKCASE GROUP

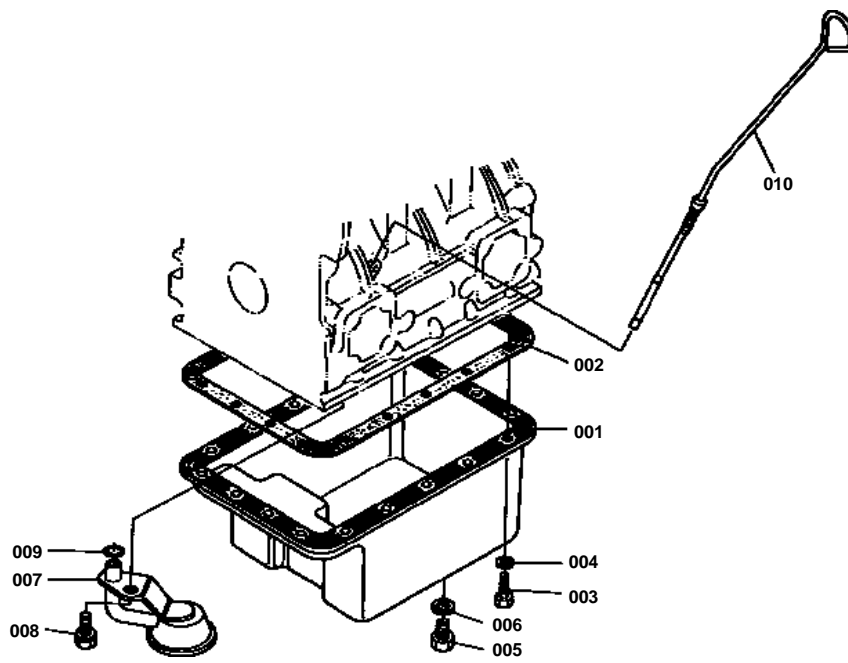


**CRANKCASE GROUP**

↔ Interchangeable; ≠ not interchangeable; ← new for old; → old for new

REF.No	Part No.	Description	Q'ty	S.No.	I/C	REMARKS	Weight (kgf)	Weight (lb)
001	15799-01010	ASSY CRANKCASE	1			REF.No.002 TO 015	0	0
002	99999-99999	BLANK	0			ORDER BY REF.No.001	0	0
003	06311-75015	PLUG,EXPANSION	3				0.002	0.0044
004	06311-75040	PLUG,EXPANSION	1				0.02	0.044
005	15321-96260	PLUG,SEALING	5				0.014	0.0308
006	15221-03490	PLUG,SEALING	1				0.02	0.044
007	15261-96010	PLUG	6				0.002	0.0044
008	15521-96020	PLUG	3				0.003	0.0066
009	15521-96030	PLUG	1				0.007	0.0154
010	05012-00609	PIN,STRAIGHT	2				0.003	0.0066
011	05012-00814	PIN,STRAIGHT	2				0.006	0.0132
012	15231-33960	PIN,PIPE	2				0.001	0.0022
013	15221-33650	PIN,PIPE	1				0.004	0.0088
014	15261-02310	LINER,CYLINDER	3				0.376	0.8272
015	15531-73170	JOINT,DRAIN PIPE	1				0.145	0.319
016	15221-33700	O RING	1				0.001	0.0022
017	15261-73910	COVER,WATER	1				0.13	0.286
018	15261-73920	GASKET,WATER COVER	1				0	0
019	01023-50618	BOLT	2				0.006	0.0132
020	15261-35010	ASSY PUMP,OIL	1				0.32	0.704
021	15261-35150	GASKET,OIL PUMP	1				0	0
022	15261-91022	BOLT	4				0.012	0.0264
023	15954-35660	GEAR,OIL PUMP DRIVE	1				0.14	0.308
024	05712-00410	KEY,FEATHER	1				0.001	0.0022
025	02016-50100	NUT	1				0.009	0.0198
026	04211-50100	WASHER,CLAW	1				0.002	0.0044
027	15231-39010	SWITCH,OIL	1				0	0

OIL PAN GROUP



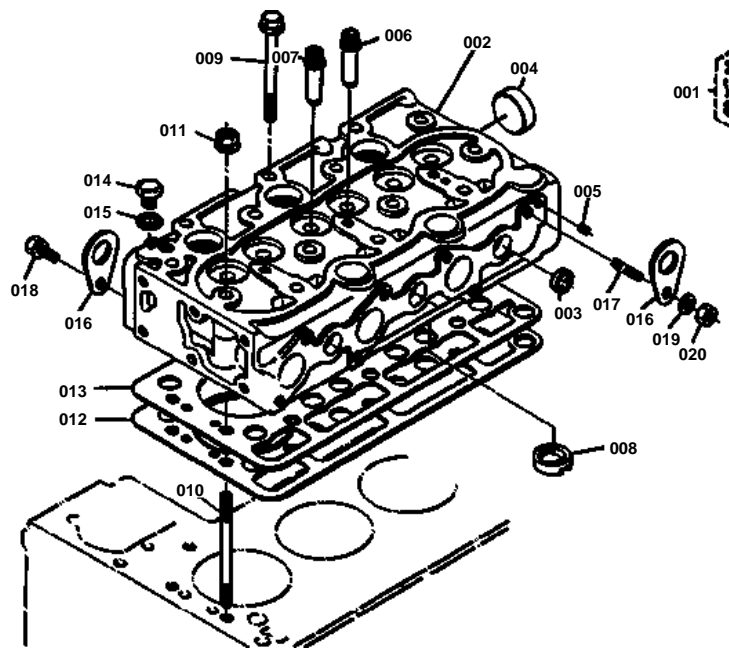


OIL PAN GROUP

↔ Interchangeable; ≠ not interchangeable; ← new for old; → old for new

REF.No	Part No.	Description	Q'ty	S.No.	I/C	REMARKS	Weight (kgf)	Weight (lb)
001	15371-01614	OIL PAN	1				1.1	2.42
002	15381-01620	GASKET,OIL PAN	1				0	0
003	15381-91090	BOLT	18				0	0
004	04512-50060	WASHER,SPRING	18				0	0
005	15221-33750	PLUG	1				0.032	0.0704
006	15109-33660	GASKET	1				0.001	0.0022
007	15531-32110	FILTER,OIL 1	1				0.185	0.407
008	01123-50816	BOLT	1				0.011	0.0242
009	04811-00140	O RING	1				0.001	0.0022
010	15533-36410	GAUGE,OIL	1				0.03	0.066

CYLINDER HEAD GROUP



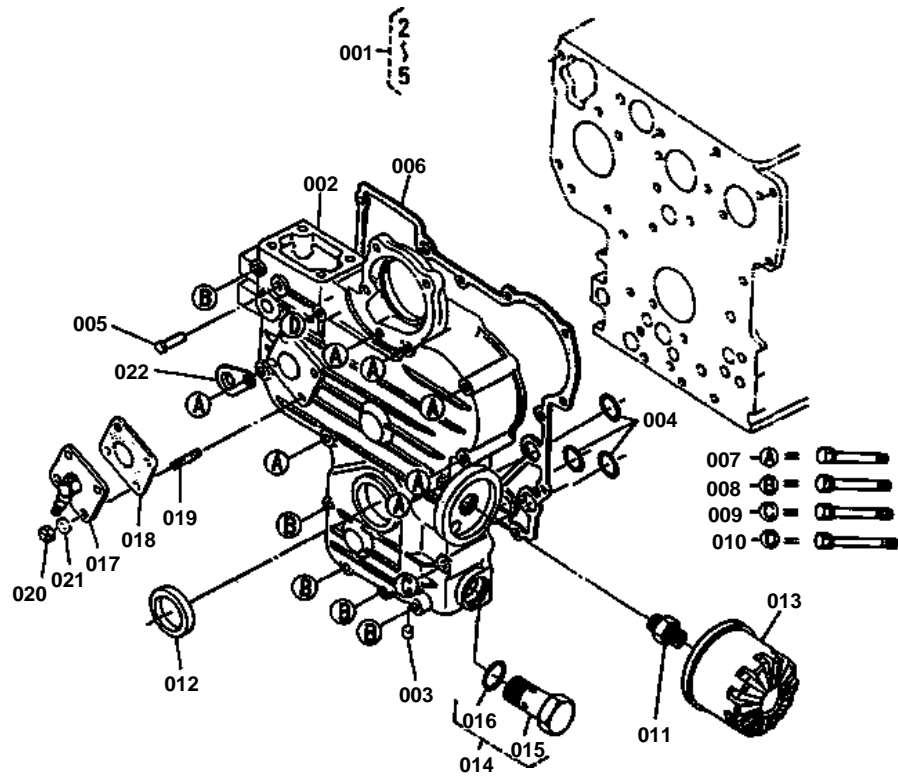


CYLINDER HEAD GROUP

↔ Interchangeable; ≠ not interchangeable; ← new for old; → old for new

REF.No	Part No.	Description	Q'ty	S.No.	I/C	REMARKS	Weight (kgf)	Weight (lb)
001	15554-03043	ASSY CYLINDER HEAD	1			REF.No.002 TO 008	9.3	20.46
002	99999-99999	BLANK	0			ORDER BY REF.No.001	0	0
003	15261-03370	CAP,SEALING	5				0.005	0.011
004	15321-96260	CAP,SEALING	1				0.014	0.0308
005	15261-96010	PLUG	2				0.002	0.0044
006	15261-13540	GUIDE,INLET VALVE	3				0.02	0.044
007	15261-13560	GUIDE EXHAUST VALVE	3				0.02	0.044
008	15261-03140	CHAMBER,COMBUSTION	3				0.023	0.0506
009	19215-03450	BOLT,CYLINDER HEAD	12				0.047	0.1034
010	19215-03412	STUD,CYLINDER HEAD	2				0.044	0.0968
011	19215-03512	NUT,CYLINDER HEAD	2				0.009	0.0198
012	15371-03312	GASKET,CYLINDER HEAD	1				0	0
013	15371-03322	SHIM CYL.HEAD GASKET	1				0.029	0.0638
014	15000-36080	PLUG,CYLINDER HEAD	1				0.03	0.066
015	04717-01600	GASKET	1				0.003	0.0066
016	15221-01750	HOOK,ENGINE	2				0.04	0.088
017	01513-50816	STUD	1				0.009	0.0198
018	01123-50816	BOLT	1				0.011	0.0242
019	02156-50080	NUT	1				0.004	0.0088
020	04512-50080	WASHER,SPRING	1				0.001	0.0022

GEAR CASE GROUP

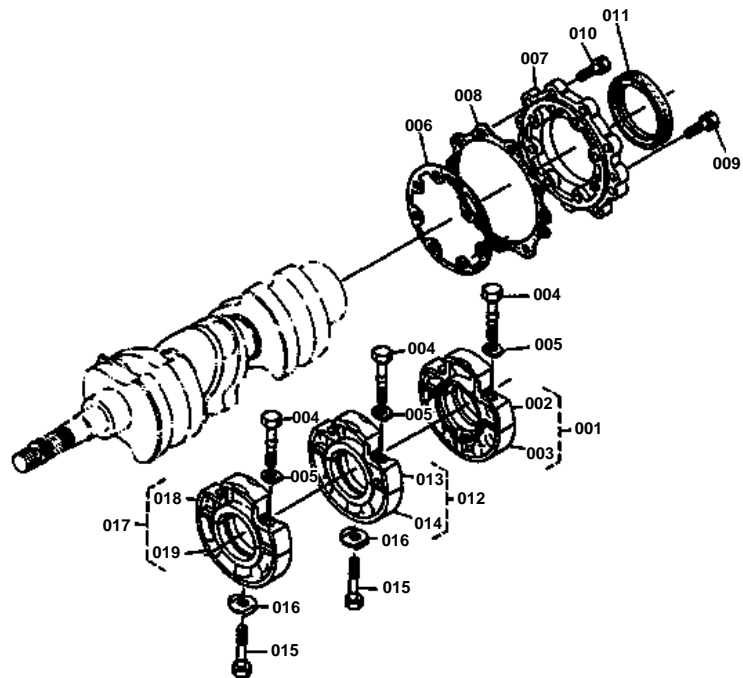


**GEAR CASE GROUP**

↔ Interchangeable; ≠ not interchangeable; ← new for old; → old for new

REF.No	Part No.	Description	Q'ty	S.No.	I/C	REMARKS	Weight (kgf)	Weight (lb)
001	15752-04020	ASSY CASE,GEAR	1			REF.No.002 TO 005	0	0
002	99999-99999	BLANK	0			ORDER BY REF.No.001	0	0
003	15261-96020	PLUG	2				0	0
004	04811-06130	O RING	3				0.001	0.0022
005	15221-56280	PIN,START SPRING	1				0.006	0.0132
006	15531-04130	GASKET,GEAR CASE	1	<=576647			0	0
006	15531-04132	GASKET,GEAR CASE	1	>=576648	←		0	0
007	01023-50660	BOLT	7				0.01	0.022
008	01023-50665	BOLT	5				0.015	0.033
009	01023-50670	BOLT	1				0	0
010	01023-50675	BOLT	1				0.01	0.022
011	15241-32290	PIPE,JOINT	1				0.053	0.1166
012	15841-04140	SEAL,OIL	1				0.012	0.0264
013	15241-32090	CARTRIDGE,OIL FILTER	1				0.35	0.77
014	15261-36070	ASSY VALVE,RELIEF	1			REF.No.015,016	0.078	0.1716
015	99999-99999	BLANK	0			ORDER BY REF.No.014	0	0
016	04810-00150	O RING	1				0.001	0.0022
017	67111-58810	ASSY GEAR CASE,H/M	1				0.33	0.726
018	15221-88130	GASKET,HOUR METER	1				0	0
019	15221-88210	STUD	4				0.005	0.011
020	02056-50060	NUT	4				0.002	0.0044
021	04512-50060	WASHER,SPRING	4				0	0
022	15531-72960	CLAMP,PIPE	1				0.005	0.011

MAIN BEARING CASE



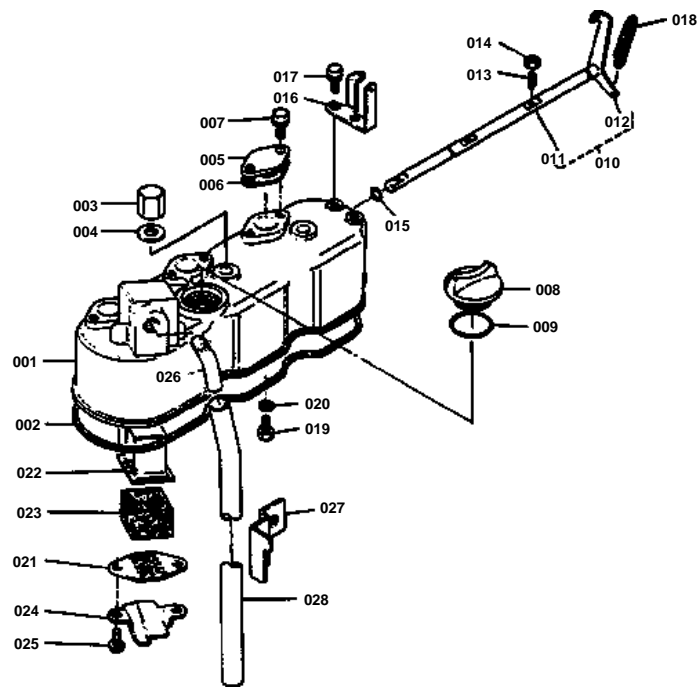


MAIN BEARING CASE

↔ Interchangeable; ≠ not interchangeable; ← new for old; → old for new

REF.No	Part No.	Description	Q'ty	S.No.	I/C	REMARKS	Weight (kgf)	Weight (lb)
001	15261-04090	ASSY CASE,MAIN BRG.1	1			REF.No.002,003	0.8	1.76
002	99999-99999	BLANK	0			ORDER BY REF.No.001	0	0
003	99999-99999	BLANK	0			ORDER BY REF.No.001	0	0
004	15261-04540	BOLT,BEARING CASE 1	6				0.02	0.044
005	15261-04570	WASHER,BEARING CASE1	6				0.001	0.0022
006	15261-04360	GASKET,BEARING CASE1	1				0	0
007	15549-04810	COVER,BEARING GASE	1				0.2	0.44
008	15261-04820	GASKET,BRG.CASE COV.	1				0	0
009	01023-50620	BOLT	9				0.006	0.0132
010	01023-50625	BOLT	8				0.007	0.0154
011	19215-04460	SEAL,OIL	1				0.03	0.066
012	15261-04040	ASSY CASE,MAIN BRG.2	1			REF.No.013,014	0.687	1.5114
013	99999-99999	BLANK	0			ORDER BY REF.No.012	0	0
014	99999-99999	BLANK	0			ORDER BY REF.No.012	0	0
015	15261-04560	BOLT,BEARING CASE 2	2				0.02	0.044
016	15261-04590	WASHER,BRG. CASE 2	2				0.004	0.0088
017	15381-04050	ASSY CASE,MAIN BRG.3	1			REF.No.018,019	0.688	1.5136
018	99999-99999	BLANK	0			ORDER BY REF.No.017	0	0
019	99999-99999	BLANK	0			ORDER BY REF.No.017	0	0

CYLINDER HEAD COVER GROUP



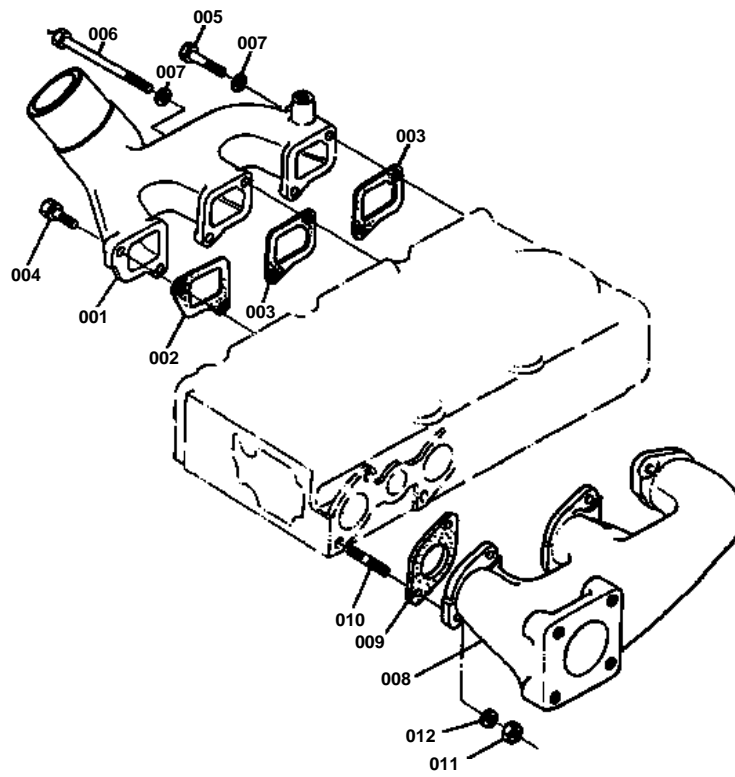


CYLINDER HEAD COVER GROUP

↔ Interchangeable; ≠ not interchangeable; ← new for old; → old for new

REF.No	Part No.	Description	Q'ty	S.No.	I/C	REMARKS	Weight (kgf)	Weight (lb)
001	15532-14540	COVER,CYLINDER HEAD	1				0.75	1.65
002	15381-14520	GASKET,HEAD COVER	1				0.005	0.011
003	15951-92330	NUT,CAP	3				0	0
004	15951-96660	GASKET	3				0.001	0.0022
005	15261-66630	COVER,DECOMP HOLE	3				0.023	0.0506
006	15261-66640	GASKET,COVER	3				0	0
007	01023-50614	BOLT	6				0.005	0.011
008	15221-33140	PLUG,OIL FILTER	1				0.038	0.0836
009	04811-50300	O RING	1				0.001	0.0022
010	15531-66040	ASSY SHAFT,DECOMP	1			REF.No.011,012	0.2	0.44
011	99999-99999	BLANK	0			ORDER BY REF.No.010	0	0
012	99999-99999	BLANK	0			ORDER BY REF.No.010	0	0
013	15261-66350	BOLT,DECOMPRESS	3				0.002	0.0044
014	02056-50050	NUT	3				0.002	0.0044
015	04811-00080	O RING	1				0.001	0.0022
016	15261-66190	HOLDER,DECOMP WIRE	1				0.03	0.066
017	01023-50614	BOLT	2				0.005	0.011
018	15221-66280	SPRING DECOMPRESS	1				0.008	0.0176
019	15221-66410	BOLT	1				0.005	0.011
020	04512-50060	WASHER,SPRING	1				0	0
021	15951-05140	PLATE,B/THER ELEMENT	1				0.005	0.011
022	15521-05150	PLATE,B/THER ELEMENT	1				0.01	0.022
023	15521-05670	ELEMENT,BREATHER	1				0.01	0.022
024	15951-05370	OIL SHIELD,BREATHER	1				0.005	0.011
025	03024-50510	SCREW	2				0.002	0.0044
026	15521-05550	JOINT,BREATHER PIPE	1				0.04	0.088
027	15531-05580	CLAMP,PIPE	1				0.019	0.0418
028	15261-05510	PIPE,BREATHER	1				0.069	0.1518

INLET MANIFOLD EXHAUST MANIFOLD GROUP



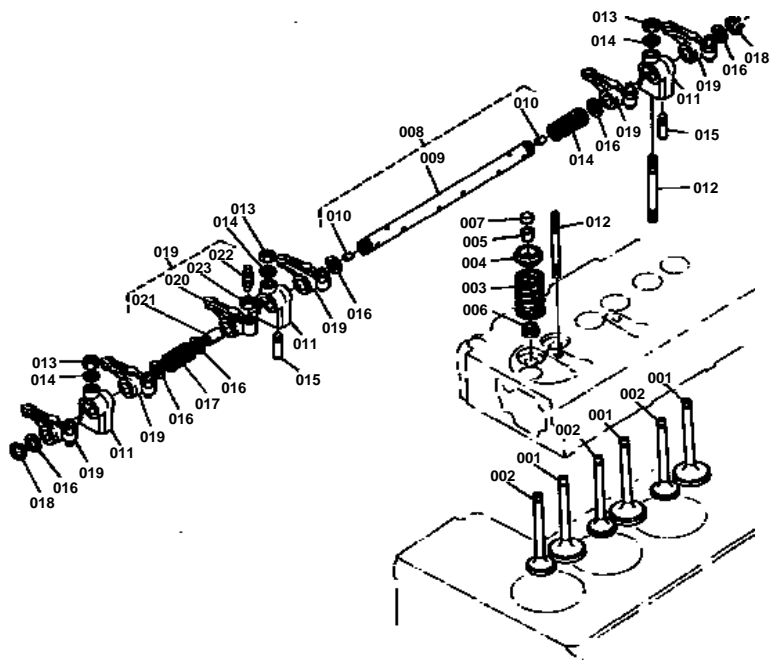


INLET MANIFOLD EXHAUST MANIFOLD GROUP

↔ Interchangeable; ≠ not interchangeable; ← new for old; → old for new

REF.No	Part No.	Description	Q'ty	S.No.	I/C	REMARKS	Weight (kgf)	Weight (lb)
001	15531-11760	MANIFOLD,INLET	1				0.5	1.1
002	15261-11820	GASKET,INLET MFD.1	1				0	0
003	15261-11830	GASKET,INLET MFD.2	2				0	0
004	01023-50620	BOLT	4				0.006	0.0132
005	01053-50660	BOLT	1				0.014	0.0308
006	15381-91070	BOLT	1				0.016	0.0352
007	04512-50060	WASHER,SPRING	2				0	0
008	15531-12310	MANIFOLD,EXHAUST	1				1.54	3.388
009	15261-12360	GASKET,EXHAUST MFD.	3				0	0
010	15381-91532	STUD	6				0.005	0.011
011	02056-50060	NUT	6				0.002	0.0044
012	04512-50060	WASHER,SPRING	6				0	0

VALVE/ROCKER ARM GROUP

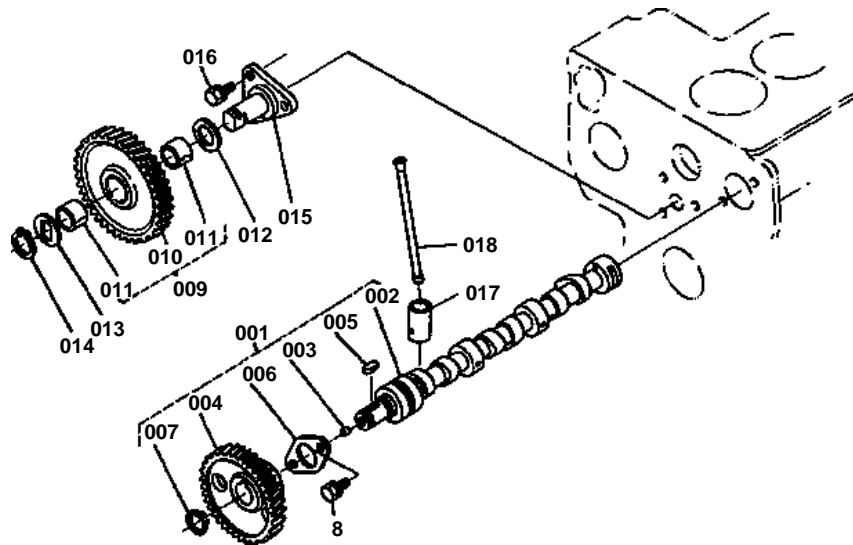


**VALVE/ROCKER ARM GROUP**

↔ Interchangeable; ≠ not interchangeable; ← new for old; → old for new

REF.No	Part No.	Description	Q'ty	S.No.	I/C	REMARKS	Weight (kgf)	Weight (lb)
001	15261-13110	VALVE,INLET	3				0.043	0.0946
002	15261-13120	VALVE,EXHAUST	3				0.038	0.0836
003	15261-13240	SPRING,VALVE	6				0.02	0.044
004	15261-13330	RETAINER,VALVE SP.	6				0	0
005	15261-13360	COLLET,VALVE SPRING	6				0.004	0.0088
006	15261-13150	SEAL,VALVE STEM	6				0.001	0.0022
007	15261-13280	CAP,VALVE	6				0	0
008	15371-14050	ASSY SHAFT,R-ARM	1			REF.No.009,010	0.133	0.2926
009	99999-99999	BLANK	0			ORDER BY REF.No.008	0	0
010	03410-50606	SCREW,SET	2				0.001	0.0022
011	15261-14350	BRACKET,ROCKER ARM	3				0.032	0.0704
012	15952-14410	STUD	3				0	0
013	15261-92010	NUT	3				0.005	0.011
014	15261-94010	WASHER,PLAIN	3				0.002	0.0044
015	15261-14420	SCREW,SET	1				0.002	0.0044
016	15261-14430	WASHER	6				0.001	0.0022
017	15261-14310	SPRING,ROCKER ARM	2				0.003	0.0066
018	04612-00110	CIR-CLIP,EXTERNAL	2				0.001	0.0022
019	19264-14030	ASSY ROCKER ARM	6			REF.No.020 TO 023	0	0
020	99999-99999	BLANK	0			ORDER BY REF.No.019	0	0
021	19264-14180	BUSH,ROCKER ARM	6				0.005	0.011
022	15261-14232	SCREW,ADJUSTING	6				0.006	0.0132
023	15261-14240	NUT	6				0.002	0.0044

CAMSHAFT GROUP

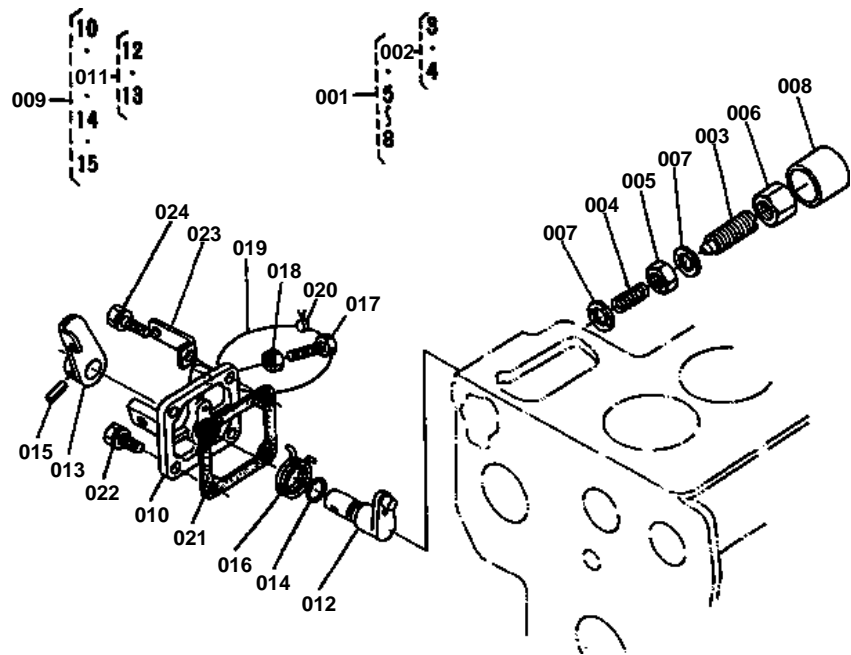


**CAMSHAFT GROUP**

↔ Interchangeable; ≠ not interchangeable; ← new for old; → old for new

REF.No	Part No.	Description	Q'ty	S.No.	I/C	REMARKS	Weight (kgf)	Weight (lb)
001	15381-16010	ASSY CAMSHAFT	1			REF.No.002 TO 007	1.045	2.299
002	15381-16150	CAMSHAFT	1				0.95	2.09
003	15261-96880	PLUG,BLIND	2				0.002	0.0044
004	15261-16510	GEAR,CAMSHAFT	1				0.354	0.7788
005	05712-00515	KEY,FEATHER	1				0.003	0.0066
006	15261-16270	STOPPER,CAMSHAFT	1				0.034	0.0748
007	04612-00180	CIR-CRIP,EXTERNAL	1				0.001	0.0022
008	01023-50614	BOLT	2			0.005	0.011	
009	15261-24010	ASSY GEAR,IDLE	1			REF.No.010,011 ORDER BY REF.No.009	0.59	1.298
010	99999-99999	BLANK	0				0	0
011	15261-24980	BUSH,IDLE GEAR	2				0.006	0.0132
012	15261-24360	COLLAR,IDLE GEAR 1	1				0.008	0.0176
013	15261-24370	COLLAR,IDLE GEAR 2	1				0.008	0.0176
014	15261-24320	CIR-CLIP,EXTERNAL	1				0.004	0.0088
015	15261-24250	SHAFT,IDLE GEAR	1				0.2	0.44
016	01023-50616	BOLT	3				0.005	0.011
017	15261-15550	TAPPET	6				0.03	0.066
018	15261-15110	ROD,PUSH	6				0.022	0.0484

ENGINE STOP LEVER GROUP

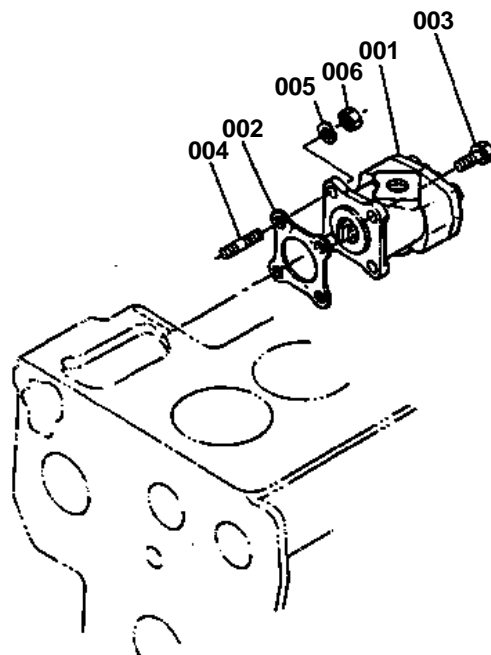


**ENGINE STOP LEVER GROUP**

↔ Interchangeable; ≠ not interchangeable; ← new for old; → old for new

REF.No	Part No.	Description	Q'ty	S.No.	I/C	REMARKS	Weight (kgf)	Weight (lb)
001	15531-54090	ASSY APPARATUS,I/D	1			REF.No.002,005 TO 008	0.023	0.0506
002	15531-54100	ASSY BOLT, ADJUSTING	1			REF.No.002,004	0.005	0.011
003	99999-99999	BLANK	0			ORDER BY REF.No.002	0	0
004	99999-99999	BLANK	0			ORDER BY REF.No.002	0	0
005	15261-92020	NUT	1				0.004	0.0088
006	15261-92330	NUT,CAP	1				0.01	0.022
007	15021-33660	GASKET	2				0.001	0.0022
008	15261-54270	CAP	1				0.002	0.0044
009	15531-57700	ASSY LEVER, ENG.STOP	1			REF.No.010,011,014 AND 015	0	0
010	15531-51650	COVER,INJECTION PUMP	1	<=645902			0	0
010	15531-51652	COVER,INJECTION PUMP	1	>=645903	←		0.08	0.176
011	15531-57710	ASSY SHAFT LEVER	1				0	0
012	99999-99999	BLANK	0			ORDER BY REF.No.011	0	0
013	99999-99999	BLANK	0			ORDER BY REF.No.011	0	0
014	04811-10070	O RING	1				0.001	0.0022
015	05411-00420	PIN,SPRING	1				0.001	0.0022
016	15611-57510	SPRING,RETURN	1				0.003	0.0066
021	15231-05130	GASKET	1				0	0
022	01023-50618	BOLT	3				0.006	0.0132
023	01023-50620	BOLT	1				0.006	0.0132
024	15531-57480	HOLDER,WIRE	1				0.015	0.033

GEAR PUMP GROUP



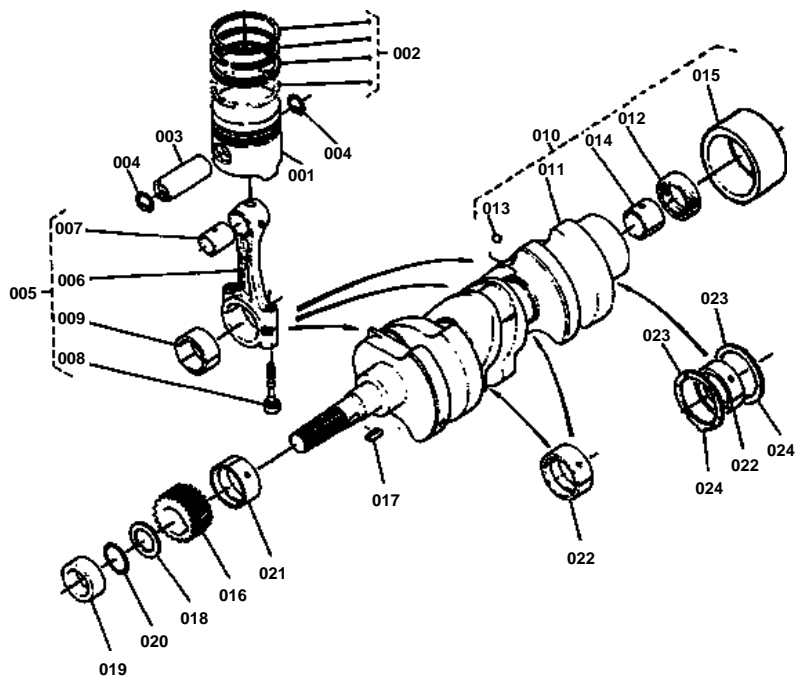


GEAR PUMP GROUP

↔ Interchangeable; ≠ not interchangeable; ← new for old; → old for new

REF.No	Part No.	Description	Q'ty	S.No.	I/C	REMARKS	Weight (kgf)	Weight (lb)
001	67111-76100	ASSY GEAR PUMP	1			REFER TO L.No.0D16-L0 FOR COMPONENTS.	0	0
002	15231-87130	GASKET,GEAR PUMP	1				0	0
003	01123-50825	BOLT	3				0.013	0.0286
004	01513-50825	STUD	1				0	0
005	04512-50080	WASHER,SPRING	1				0.001	0.0022
006	02156-50080	NUT	1				0.004	0.0088

PISTON/CRANKSHAFT GROUP



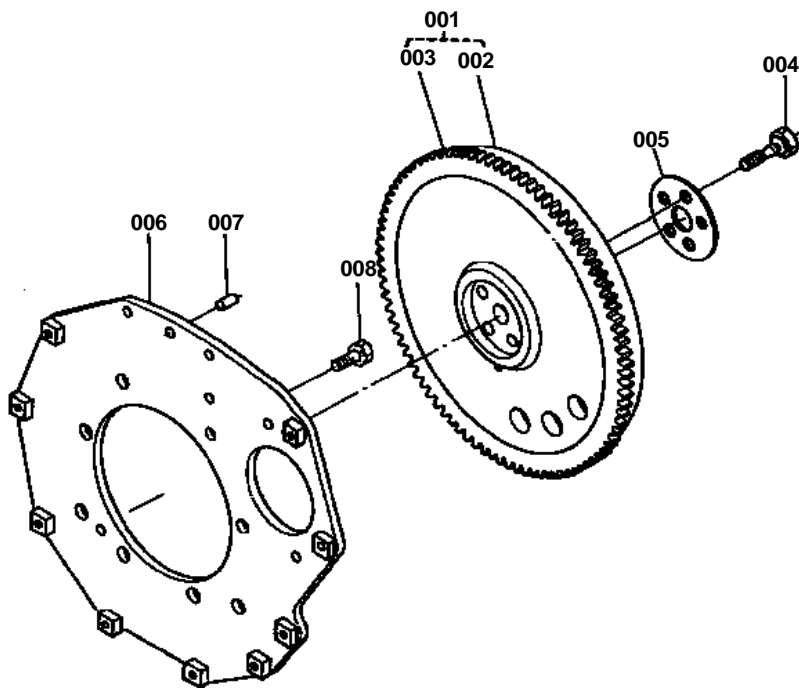


PISTON/CRANKSHAFT GROUP

↔ Interchangeable; ≠ not interchangeable; ← new for old; → old for new

REF.No	Part No.	Description	Q'ty	S.No.	I/C	REMARKS	Weight (kgf)	Weight (lb)
001	15261-21110	PISTON	3			STD	0.304	0.6688
001	15261-21910	PISTON	3			+0.5MM	0.3	0.66
002	15271-21050	ASSY PISTON RING	3			STD	0.026	0.0572
002	15271-21090	ASSY PISTON RING	3			+0.5MM	0.04	0.088
003	15261-21310	PIN,PISTON	3				0.102	0.2244
004	15261-21330	CIR-CLIP,PISTON PIN	6				0.001	0.0022
005	15531-22010	ASSY ROD, CONNECTING	3	<=599859		REF.No.006 TO 009	0	0
005	15381-22010	ASSY ROD, CONNECTING	3	>=599860	↔		0	0
005	15694-22010	ASSY ROD, CONNECTING	3	>=751430	↔		0.5	1.1
006	99999-99999	BLANK	0			ORDER BY REF.No.005	0	0
007	15261-21980	BUSH,PISTON PIN	3				0.012	0.0264
008	15261-22140	BOLT,CONNECTING ROD	6	<=599859			0	0
008	15381-22140	BOLT,CONNECTING ROD	6	>=599860	↔		0.02	0.044
009	15531-22310	METAL,CRANK PIN	3	<=751429		STD SET	0	0
009	15694-22310	METAL,CRANK PIN	3	>=751430	↔	STD SET	0.02	0.044
009	15531-22970	METAL,CRANK PIN	3	<=751429		-0.2MM SET	0	0
009	15694-22970	METAL,CRANK PIN	3	>=751430	↔	-0.2MM SET	0.025	0.055
009	15531-22980	METAL,CRANK PIN	3	<=751429		-0.4MM SET	0	0
009	15694-22980	METAL,CRANK PIN	3	>=751430	↔	-0.4MM SET	0.02	0.044
010	15752-23010	ASSY CRANKSHAFT	1			REF.No.011 TO 015	8	17.6
011	99999-99999	BLANK	0			ORDER BY REF.No.010	0	0
012	09400-14247	OIL SEAL	1				0.004	0.0088
013	15131-01380	PLUG,PIN	3				0.001	0.0022
014	66621-14120	DRY,BEARING	1				0.006	0.0132
015	19215-23280	SLEEVE,CRANKSHAFT	1				0.05	0.11
016	15752-24110	GEAR,CRANKSHAFT	1				0.046	0.1012
017	05712-00515	KEY,FEATHER	1				0.003	0.0066
018	15752-23310	OIL SLINGER	1				0.002	0.0044
019	15752-23250	COLLAR,CRANKSHAFT	1				0.043	0.0946
020	04811-05230	O RING	1				0.001	0.0022
021	15261-23470	METAL,CRANKSHAFT 1	1	<=751429		STD	0	0
021	15694-23470	METAL,CRANKSHAFT 1	1	>=751430	↔	STD	0.035	0.077
021	15261-23910	METAL,CRANKSHAFT 1	1	<=751429		-0.2MM	0	0
021	15694-23910	METAL,CRANKSHAFT 1	1	>=751430	↔	-0.2MM	0.04	0.088
021	15261-23920	METAL,CRANKSHAFT 1	1	<=751429		-0.4MM	0	0
021	15694-23920	METAL,CRANKSHAFT 1	1	>=751430	↔	-0.4MM	0.045	0.099
022	15261-23480	METAL,CRANKSHAFT 2	3	<=751429		STD SET	0	0
022	15694-23480	METAL,CRANKSHAFT 2	3	>=751430	↔	STD SET	0.04	0.088
022	15261-23930	METAL,CRANKSHAFT 2	3	<=751429		-0.2MM SET	0	0
022	15694-23930	METAL,CRANKSHAFT 2	3	>=751430	↔	-0.2MM SET	0.05	0.11
022	15261-23940	METAL,CRANKSHAFT 2	3	<=751429		-0.4MM SET	0	0
022	15694-23940	METAL,CRANKSHAFT 2	3	>=751430	↔	-0.4MM SET	0.046	0.1012
023	15261-23530	METAL SIDE 1	2			STD	0.006	0.0132
023	15261-23950	METAL,SIDE 1	2			+0.2MM	0.006	0.0132
023	15261-23960	METAL,SIDE 1	2			+0.4MM	0.007	0.0154
024	15261-23540	METAL,SIDE 2	2			STD	0.007	0.0154
024	15261-23970	METAL,SIDE 2	2			+0.2MM	0.006	0.0132
024	15261-23980	METAL,SIDE 2	2			+0.4MM	0.007	0.0154

FLYWHEEL GROUP

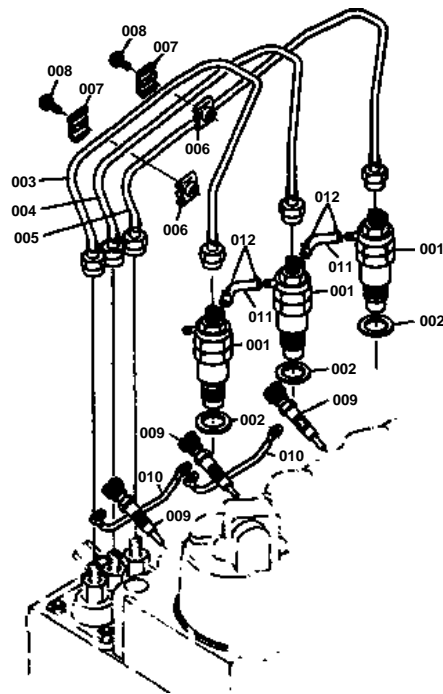




↔ Interchangeable; ≠ not interchangeable; ← new for old; → old for new

REF.No	Part No.	Description	Q'ty	S.No.	I/C	REMARKS	Weight (kgf)	Weight (lb)
001	15541-25010	ASSY FLYWHEEL	1			REF.No.002,003	0	0
002	99999-99999	BLANK	0			ORDER BY REF.No.001	0	0
003	15261-63820	GEAR,RING	1				0	0
004	15533-25160	BOLT,FLYWHEEL	5				0	0
005	15531-25170	WASHER,FLYWHEEL	1				0.04	0.088
006	15541-04620	REAR,END PLATE	1				2.76	6.072
007	05012-00814	PIN,STRAIGHT	1				0.006	0.0132
008	15261-91190	BOLT	8				0.03	0.066

NOZZLE HOLDER GROUP



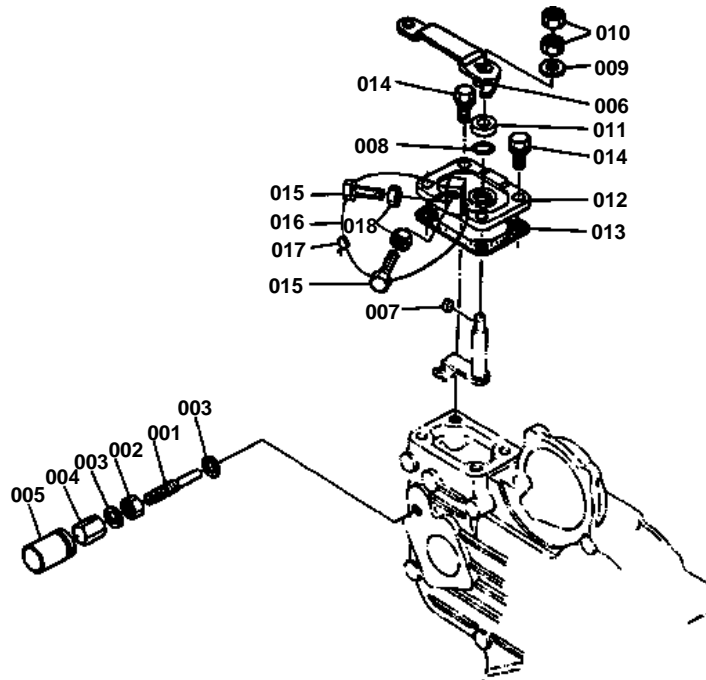


NOZZLE HOLDER GROUP

↔ Interchangeable; ≠ not interchangeable; ← new for old; → old for new

REF.No	Part No.	Description	Q'ty	S.No.	I/C	REMARKS	Weight (kgf)	Weight (lb)
001	15271-53020	ASSY HOLDER, NOZZLE	3			REFER TO L.No.0D16-R0 FOR COMPONENTS.	0.26	0.572
002	17011-53620	PACKING	3				0.003	0.0066
003	15261-53710	PIPE,INJECTION 1	1				0.103	0.2266
004	15261-53720	PIPE,INJECTION 2	1				0.1	0.22
005	15381-53730	PIPE,INJECTION 3	1				0.102	0.2244
006	15121-53850	CLAMP,PIPE 1	2				0	0
007	15121-53860	CLAMP,PIPE 2	2				0	0
008	03204-50520	SCREW,WITH WASHER	2				0	0
009	15951-65510	GLOW PLUG	3				0.03	0.066
010	15261-65560	CODE,GLOW PLUG	2				0.005	0.011
011	15261-42510	PIPE,FUEL OVER FLOW	2				0.004	0.0088
012	10244-42320	CLIP,PIPE	4				0.001	0.0022

SPEED CONTROL PLATE GROUP



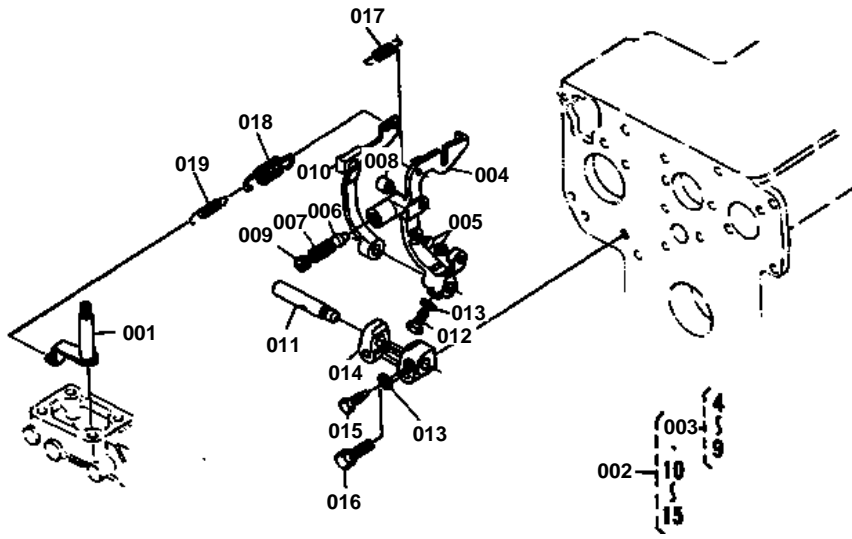


SPEED CONTROL PLATE GROUP

↔ Interchangeable; ≠ not interchangeable; ← new for old; → old for new

REF.No	Part No.	Description	Q'ty	S.No.	I/C	REMARKS	Weight (kgf)	Weight (lb)
001	15531-54120	BOLTS,ADJUSTING	1				0.009	0.0198
002	15531-92030	NUT	1				0.005	0.011
003	15601-96650	PACKING	2				0.001	0.0022
004	15601-54220	NUT,CAP	1				0	0
005	15601-54420	CAP	1				0	0
006	15531-57150	LEVER,SPEED CONTROL	1				0.04	0.088
007	15261-95010	KEY,FEATHER	1				0.001	0.0022
008	04811-00070	O RING	1				0.001	0.0022
009	04013-50060	WASHER,PLAIN	1				0	0
010	02012-50060	NUT	2				0	0
011	15261-57380	PLATE,FRICTION	1				0	0
012	15531-57110	PLATE,SPEED CONTROL	1				0.06	0.132
013	15261-57210	PACK.CONTROL PLATE	1				0	0
014	01023-50620	BOLT	4				0.006	0.0132

GOVERNOR GROUP

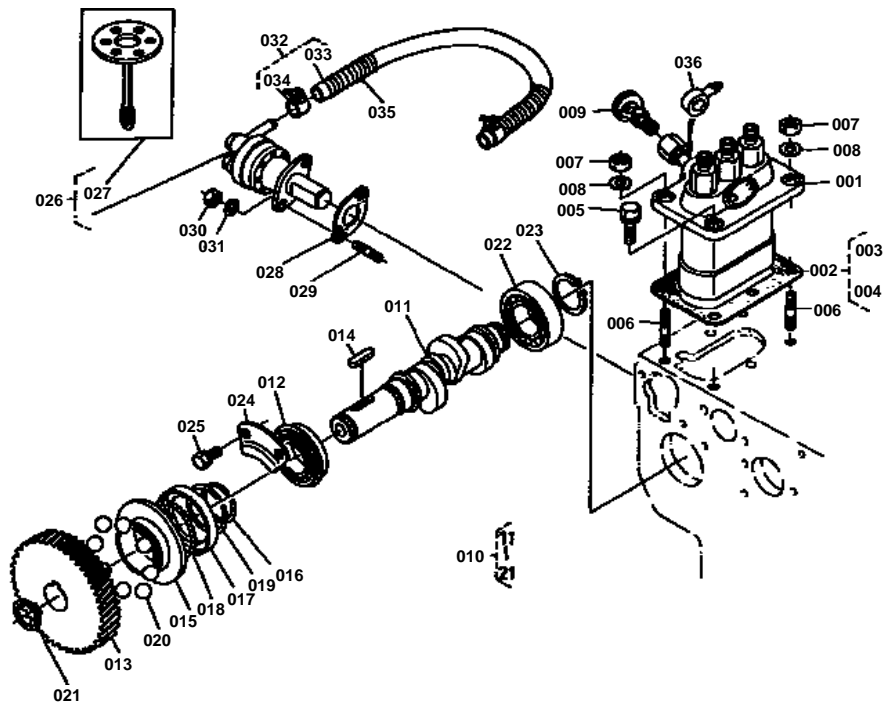




↔ Interchangeable; ≠ not interchangeable; ← new for old; → old for new

REF.No	Part No.	Description	Q'ty	S.No.	I/C	REMARKS	Weight (kgf)	Weight (lb)
001	15531-56020	ASSY LEVER,GOVERNOR	1				0.026	0.0572
002	15752-56050	ASSY LEVER,FORK	1			REF.No.003,010 TO 015	0.3	0.66
003	15752-56040	ASSY LEVER,FORK	1			REF.No.004 TO 009	0.15	0.33
004	99999-99999	BLANK	0			ORDER BY REF.No.003	0	0
005	99999-99999	BLANK	0			ORDER BY REF.No.003	0	0
006	99999-99999	BLANK	0			ORDER BY REF.No.003	0	0
007	99999-99999	BLANK	0			ORDER BY REF.No.003	0	0
008	99999-99999	BLANK	0			ORDER BY REF.No.003	0	0
009	99999-99999	BLANK	0			ORDER BY REF.No.003	0	0
010	15531-56130	LEVER,FORK 2	1				0.075	0.165
011	15261-56150	SHAFT,FORK LEVER	1				0.032	0.0704
012	01053-50516	BOLT	1				0.003	0.0066
013	04512-50050	WASHER,SPRING	2				0	0
014	15261-56230	HOLDER,FORK LEVER	1				0.038	0.0836
015	15261-66410	BOLT	1				0.003	0.0066
016	01023-50628	BOLT	2				0.015	0.033
017	15221-56480	SPRING,START	1				0.008	0.0176
018	15531-56410	SPRING,GOVERNOR 1	1				0.007	0.0154
019	15531-56420	SPRING,GOVERNOR 2	1				0.003	0.0066

FUEL CAMSHAFT GROUP



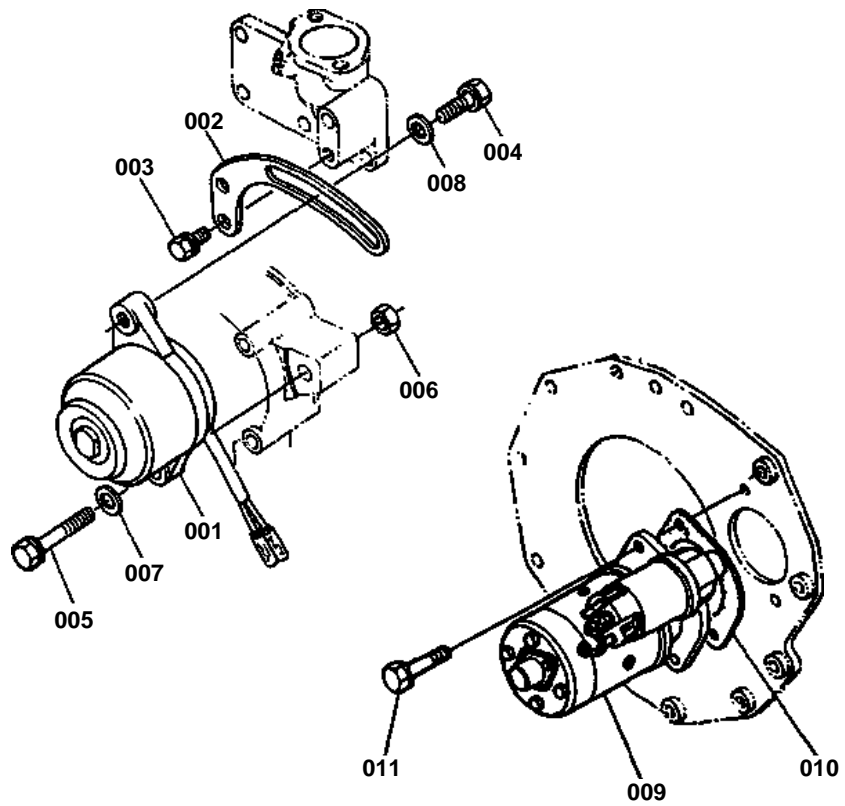


FUEL CAMSHAFT GROUP

↔ Interchangeable; ≠ not interchangeable; ← new for old; → old for new

REF.No	Part No.	Description	Q'ty	S.No.	I/C	REMARKS	Weight (kgf)	Weight (lb)
001	15531-51010	ASSY PUMP, INJECTION	1			REFER TO L.No.0E01-R0 FOR COMPONENTS. REF.No.003,004	2.1	4.62
002	15381-52100	ASSY SHIM, INJEC.PUMP	1				0.022	0.0484
003	15321-52110	SHIM,INJECTION PUMP	2				0	0
004	15381-52112	SHIM,INJECTION PUMP	3				0.045	0.099
005	01123-50822	BOLT	2				0.012	0.0264
006	15221-91530	STUD	2				0.011	0.0242
007	02156-50080	NUT	2				0.004	0.0088
008	04512-50080	WASHER,SPRING	2				0.001	0.0022
009	14311-60504	ASSY COCK, JET-START	1				0.034	0.0748
010	15381-16020	ASSY CAMSHAFT, FUEL	1			REF.No.011 TO 021	1.1	2.42
011	15381-16170	CAMSHAFT,FUEL	1				0.42	0.924
012	08153-06004	BEARING,BALL	1				0.07	0.154
013	15261-51150	GEAR,INJECTION PUMP	1				0.463	1.0186
014	05712-00520	KEY,FEATHER	1				0.004	0.0088
015	15261-55450	SLEEVE, GOVERNOR	1				0.058	0.1276
016	15261-55470	CIR-CLIP, GOV.SLEEVE	1				0.002	0.0044
017	15261-55690	CASE,GOVERNOR BALL	1				0	0
018	07715-03205	BALL	30				0.001	0.0022
019	15261-55740	CIR-CLIP,GOV.BALL	1				0.002	0.0044
020	07715-03217	BALL	8				0.01	0.022
021	04612-00180	CIR-CLIP, EXTERNAL	1			0.001	0.0022	
022	08103-06004	BEARING,BALL	1			0.066	0.1452	
023	04612-00200	CIR-CLIP, EXTERNAL	1			0.001	0.0022	
024	15261-16320	STOPPER,FUEL C/SHAFT	1			0.037	0.0814	
025	01023-50612	BOLT	2			REF.No.027	0.005	0.011
026	15381-52030	ASSY PUMP,FUEL	1				0	0
027	15381-52040	COMP DIAPHRAGM	1				0	0
028	15241-52140	GASKET,FUEL PUMP	1				0	0
029	01513-50616	STUD	2				0.004	0.0088
030	02056-50060	NUT	2			0.002	0.0044	
031	04512-50060	WASHER,SPRING	2			0	0	
032	15531-42010	ASSY PIPE,FUEL	1			REF.No.033,034 ORDER BY REF.No.032	0.056	0.1232
033	99999-99999	BLANK	0				0	0
034	14301-42750	CLIP,PIPE	2				0.005	0.011
035	67111-58320	SPRING	1				0.02	0.044
036	14111-42410	JOINT	1				0.025	0.055

DYNAMO/STARTER GROUP

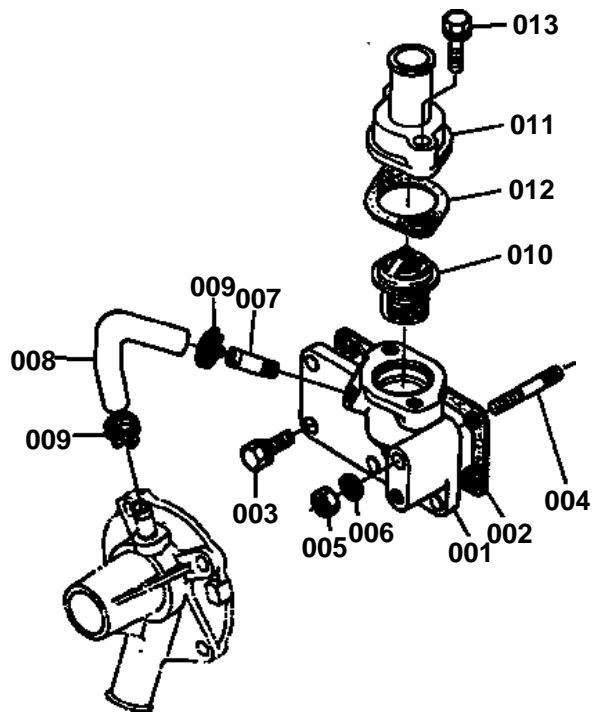


**DYNAMO/STARTER GROUP**

↔ Interchangeable; ≠ not interchangeable; ← new for old; → old for new

REF.No	Part No.	Description	Q'ty	S.No.	I/C	REMARKS	Weight (kgf)	Weight (lb)
001	15531-64013	ASSY DYNAMO	1			REFER TO L.No.0E02-L0 FOR COMPONENTS.	0	0
002	15531-64420	STAY, DYNAMO	1				0.09	0.198
003	01023-50616	BOLT	1				0.005	0.011
004	01123-50825	BOLT	1				0.013	0.0286
005	01123-50860	BOLT	1				0.026	0.0572
006	02056-50080	NUT	1				0.005	0.011
007	04013-50080	WASHER, PLAIN	1				0	0
008	04015-50080	WASHER, PLAIN	1				0	0
009	15231-63010	ASSY STARTER	1			REFER TO L.No.0E03-R0 FOR COMPONENTS.	0	0
010	66591-51160	GASKET	1				0	0
011	01123-50828	BOLT	2				0.014	0.0308

WATER FLANGE GROUP



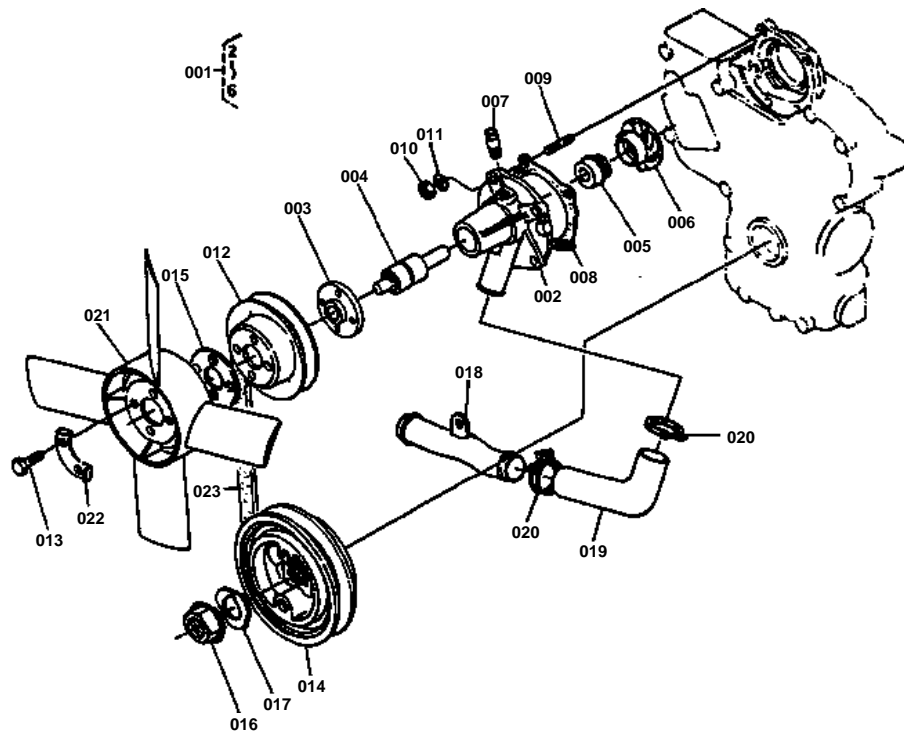


WATER FLANGE GROUP

↔ Interchangeable; ≠ not interchangeable; ← new for old; → old for new

REF.No	Part No.	Description	Q'ty	S.No.	I/C	REMARKS	Weight (kgf)	Weight (lb)
001	15531-72910	FLANGE,WATER	1				0.21	0.462
002	15261-72920	GASKET,WATER FLANGE	1				0	0
003	01023-50616	BOLT	5				0.005	0.011
004	01513-50655	STUD	1				0.013	0.0286
005	02056-50060	NUT	1				0.002	0.0044
006	04512-50060	WASHER,SPRING	1				0	0
007	15531-73340	PIPE,WATER RETURN 1	1				0.01	0.022
008	15531-73350	PIPE,WATER RETURN 2	1				0.02	0.044
009	15531-73360	BAND,PIPE	2				0.007	0.0154
010	15531-73010	ASSY THERMOSTAT	1				0.07	0.154
011	15531-73260	COVER,THERMOSTAT	1				0.068	0.1496
012	15531-73270	GASKET,THERMO.COVER	1				0	0
013	01023-50635	BOLT	2				0.01	0.022

WATER PUMP GROUP



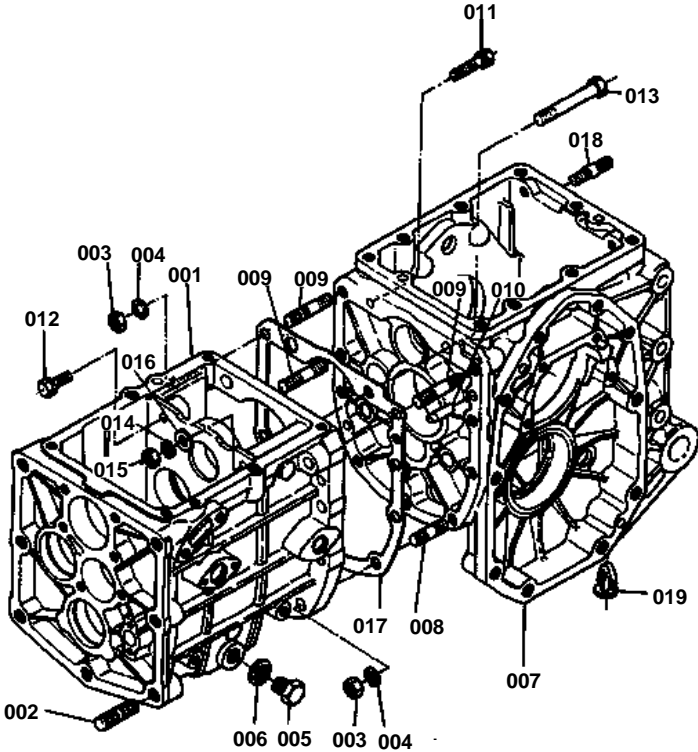


WATER PUMP GROUP

↔ Interchangeable; ≠ not interchangeable; ← new for old; → old for new

REF.No	Part No.	Description	Q'ty	S.No.	I/C	REMARKS	Weight (kgf)	Weight (lb)
001	15752-73030	ASSY PUMP,WATER	1			REF.No.002 TO 006 ORDER BY REF.No.001	0	0
002	99999-99999	BLANK	0				0	0
003	15752-73520	FLANGE,WATER PUMP	1				0	0
004	15752-73550	BEARING	1				0	0
005	15531-73050	ASSY MECHANICAL	1				0	0
006	15531-73510	IMPELLER,WATER PUMP	1				0.112	0.2464
007	15531-73340	PIPE,WATER RETURN 1	1			0.01	0.022	
008	15531-73430	GASKET,WATER PUMP	1			0	0	
009	01518-50620	STUD	4			0.006	0.0132	
010	02056-50060	NUT	4			0.002	0.0044	
011	04512-50060	WASHER,SPRING	4			0	0	
012	15531-74250	PULLEY,FAN	1			0.21	0.462	
013	01053-50616	BOLT	4			0.005	0.011	
014	15752-74280	PULLEY,FAN DRIVE	1			1.2	2.64	
015	15752-74150	COLLAR,FAN	1			0.07	0.154	
016	15752-23360	NUT,CRANKSHAFT	1			0.04	0.088	
017	15752-23380	WASHER,CRANKSHAFT	1			0.01	0.022	
018	15531-72860	PIPE,WATER 2	1			0.11	0.242	
019	15531-72870	PIPE,WATER 3	1			0.052	0.1144	
020	15261-72780	BAND	2			0.024	0.0528	
021	15531-74110	FAN	1			0.2	0.44	
022	15131-74230	WASHER,FAN	2			0.005	0.011	
023	15531-72530	BELT,FAN	1			0.085	0.187	

TRANSMISSION CASE GROUP

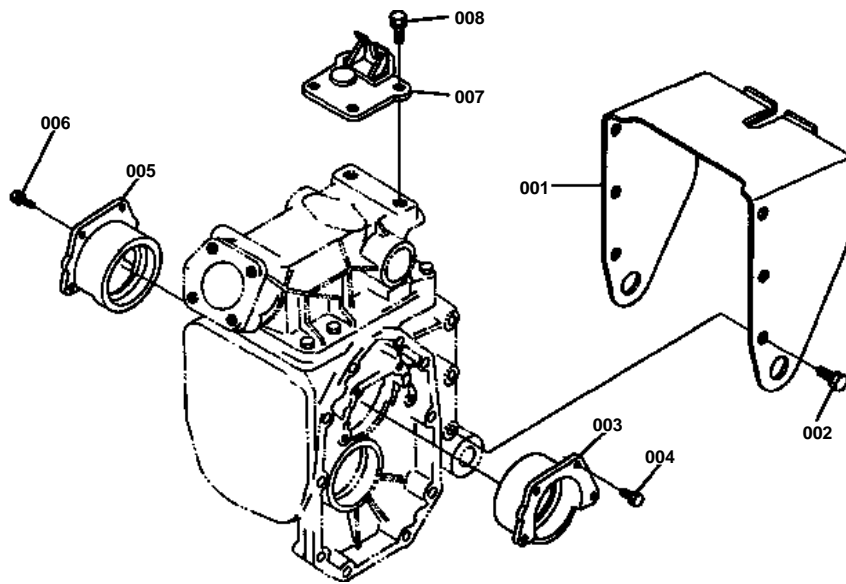


**TRANSMISSION CASE GROUP**

↔ Interchangeable; ≠ not interchangeable; ← new for old; → old for new

REF.No	Part No.	Description	Q'ty	S.No.	I/C	REMARKS	Weight (kgf)	Weight (lb)
001	66611-11110	CASE,TRANSMISSION	1				0	0
002	01555-51225	STUD	7				0.039	0.0858
003	02118-50100	NUT	9				0.005	0.011
004	04512-50100	WASHER,SPRING	9				0	0
005	06331-35016	PLUG	1				0.04	0.088
006	04717-01600	WASHER,SEAL	1				0.003	0.0066
007	66611-11129	CASE,DIFFERENTIAL	1				0	0
008	01555-51035	STUD	6				0.029	0.0638
009	01555-51050	STUD	3				0.038	0.0836
010	66611-11160	PIN,KNOCK	2				0.01	0.022
011	01123-50838	BOLT	1				0.02	0.044
012	01123-50825	BOLT	1				0.013	0.0286
013	66611-11140	BOLT	1				0	0
014	04512-50100	WASHER,SPRING	1				0	0
015	02118-50100	NUT	1				0.005	0.011
016	04013-50100	WASHER,PLAIN	1				0	0
017	66611-11130	GASKET	1				0	0
018	66611-11154	STUD	2				0.08	0.176
019	67211-11140	PLUG M12	3				0.001	0.0022

BEARING HOLDER GROUP

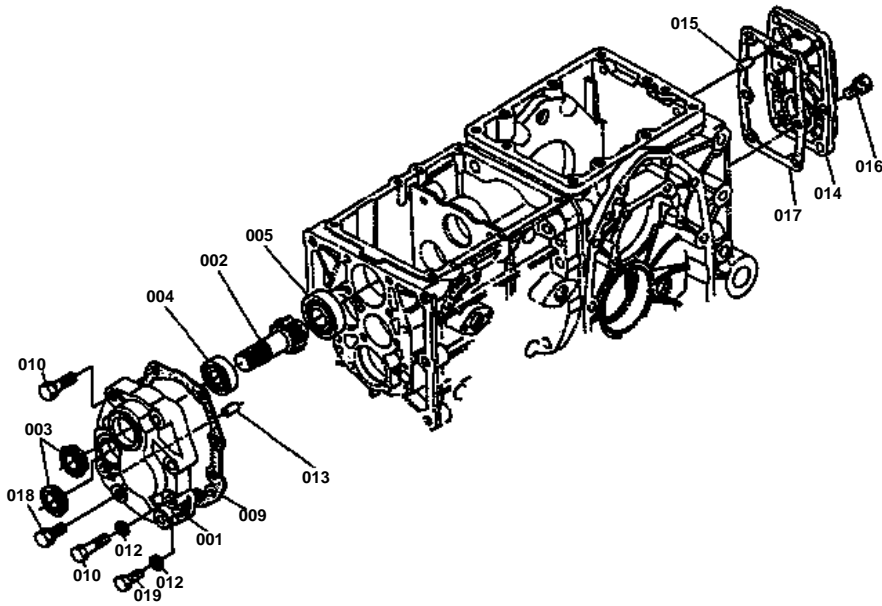


**BEARING HOLDER GROUP**

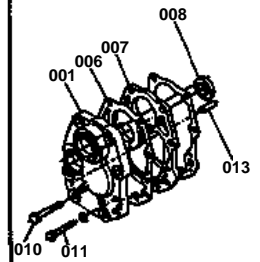
↔ Interchangeable; ≠ not interchangeable; ← new for old; → old for new

REF.No	Part No.	Description	Q'ty	S.No.	I/C	REMARKS	Weight (kgf)	Weight (lb)
001	66704-11214	COVER,PTO	1				1.5	3.3
002	01123-51235	BOLT	6				0.041	0.0902
003	66611-11510	HOLDER,DIFF BEAR.LH	1				0.78	1.716
004	01123-50822	BOLT	4				0.012	0.0264
005	66611-11812	HOLDER,DIFF BEAR.RH	1				0.72	1.584
006	01123-50822	BOLT	4				0.012	0.0264
007	66611-11910	BRACKET,CHAIN	1				0.607	1.3354
008	01123-51230	BOLT	2				0.04	0.088

COVER GROUP



- 1 67311-1211-0
- 6 67311-1213-0
- 7 67311-1214-0
- 8 09500-20347
- 10 01123-50848
- 11 01050-50645
- 13 67311-1216-0

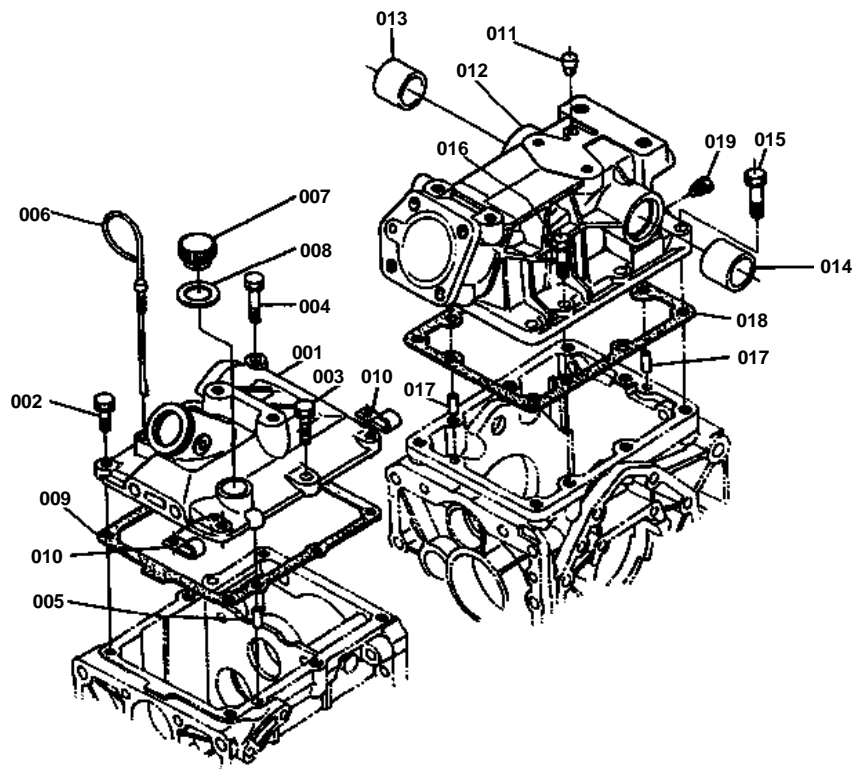


**COVER GROUP**

↔ Interchangeable; ≠ not interchangeable; ← new for old; → old for new

REF.No	Part No.	Description	Q'ty	S.No.	I/C	REMARKS	Weight (kgf)	Weight (lb)
001	67311-12110	COVER,SHAFT 1	1	≤62623			1.47	3.234
001	66416-12110	COVER,1ST SHAFT	1	≥62624	≠		1.78	3.916
002	67311-12120	SHAFT 1	1				0.3	0.66
003	67211-12130	SEAL,OIL	2				0.015	0.033
004	08101-06204	BEARING,BALL	1				0.102	0.2244
005	08101-06304	BEARING,BALL	1				0.146	0.3212
006	67311-12130	GASKET	1	≤62623			0	0
007	67311-12140	SPACER,COVER	1	≤62623			0.5	1.1
008	09500-20347	OIL,SEAL	1	≤62623			0.01	0.022
009	67311-12150	GASKET,COVER SPACER	1	≤62623			0	0
009	66416-12150	GASKET,1ST SHAFT	1	≥62624	≠		0	0
010	01123-50848	BOLT	7	≤62623			0.02	0.044
010	01123-50818	BOLT	5	≥62624	≠		0.012	0.0264
011	01050-50645	BOLT	2	≤62623			0.011	0.0242
011	01050-50645	BOLT	1	≥62624			0.011	0.0242
012	04512-50060	WASHER,SPRING	2				0	0
013	67311-12160	PIN,STRAIGHT	1	≤62623			0.01	0.022
013	05012-00818	PIN,STRAIGHT	1	≥62624	≠		0.008	0.0176
014	66706-12210	COVER,REAR	1				1.21	2.662
015	05012-00816	PIN,STRAIGHT	1				0.007	0.0154
016	01120-51025	BOLT	6				0	0
017	66611-12220	GASKET	1				0	0
018	01123-50830	BOLT	2	≥62624			0.015	0.033
019	01053-50628	BOLT	1	≥62624			0.008	0.0176

CASE COVER GROUP

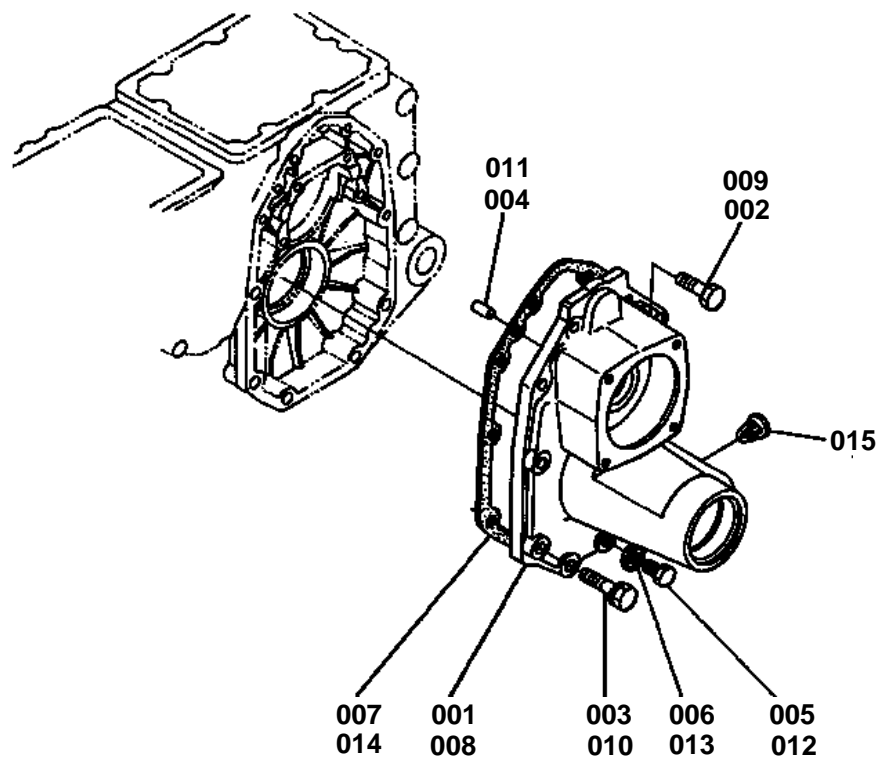


**CASE COVER GROUP**

↔ Interchangeable; ≠ not interchangeable; ← new for old; → old for new

REF.No	Part No.	Description	Q'ty	S.No.	I/C	REMARKS	Weight (kgf)	Weight (lb)
001	67211-12410	COVER,CASE FRONT	1				0.97	2.134
002	01123-50828	BOLT	3				0.014	0.0308
003	01123-51035	BOLT	2				0.025	0.055
004	01123-50845	BOLT	1				0.02	0.044
005	05012-00816	PIN,STRAIGHT	2				0.007	0.0154
006	67711-12420	GAUGE,OIL	1				0.014	0.0308
007	66591-11460	CAP	1				0.016	0.0352
008	04713-00400	GASKET	1				0.001	0.0022
009	66591-11220	GASKET	1				0	0
010	32240-34490	CLAMP,CORD	2				0.003	0.0066
011	66591-11350	BREATHER	1				0.002	0.0044
012	66611-12510	COVER,CASE REAR	1				3.83	8.426
013	66591-36710	BUSH	1				0.049	0.1078
014	66591-36720	BUSH	1				0.044	0.0968
015	01123-51040	BOLT	3				0.03	0.066
016	01123-51035	BOLT	6				0.025	0.055
017	05012-00816	PIN,STRAIGHT	2				0.007	0.0154
018	66611-12520	GASKET	1				0	0
019	67211-11140	PLUG M12	2				0.001	0.0022

AXLE CASE GROUP

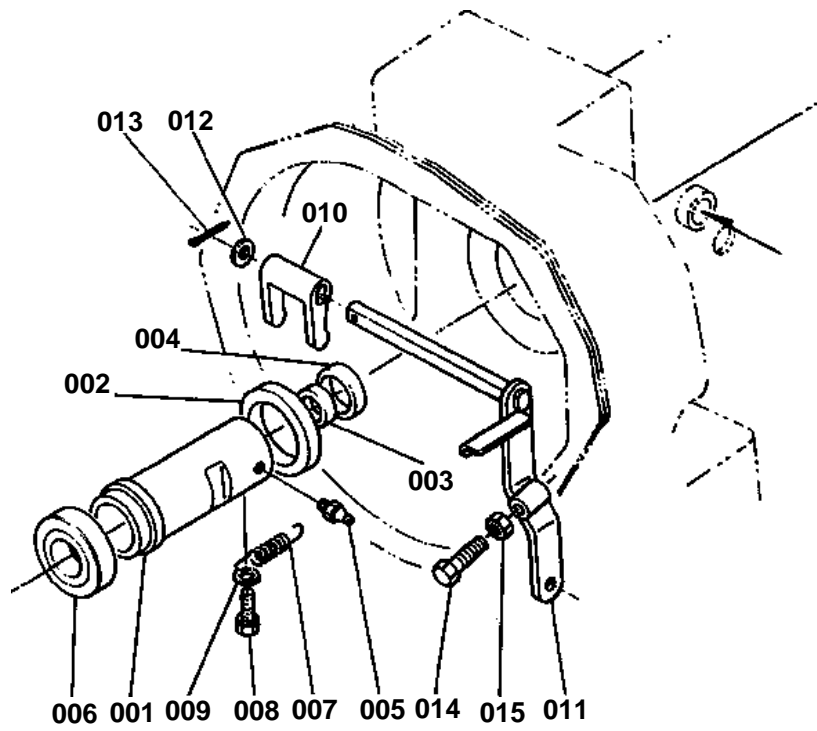


**AXLE CASE GROUP**

↔ Interchangeable; ≠ not interchangeable; ← new for old; → old for new

REF.No	Part No.	Description	Q'ty	S.No.	I/C	REMARKS	Weight (kgf)	Weight (lb)
001	67401-12610	CASE,AXLE LH	1				0	0
002	01123-51035	BOLT	4				0.025	0.055
003	01123-51250	BOLT	6				0.055	0.121
004	05012-00816	PIN,STRAIGHT	2				0.007	0.0154
005	06331-35012	PLUG	1				0.022	0.0484
006	04717-01200	SPRING,SEAL	1				0.002	0.0044
007	66591-11240	GASKET	1				0	0
008	67401-12710	CASE,AXLE RH	1				10	22
009	01123-51035	BOLT	4				0.025	0.055
010	01123-51250	BOLT	6				0.055	0.121
011	05012-00816	PIN,STRAIGHT	2				0.007	0.0154
012	06331-35012	PLUG	1				0.022	0.0484
013	04717-01200	SPRING,SEAL	1				0.002	0.0044
014	66591-11240	GASKET	1				0	0
015	67211-11140	PLUG M12	12				0.001	0.0022

CLUTCH ROD GROUP



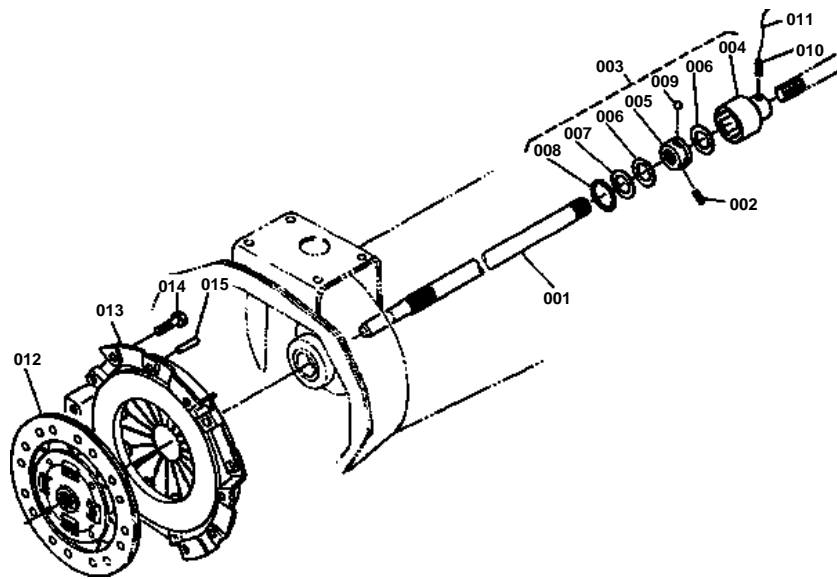


CLUTCH ROD GROUP

↔ Interchangeable; ≠ not interchangeable; ← new for old; → old for new

REF.No	Part No.	Description	Q'ty	S.No.	I/C	REMARKS	Weight (kgf)	Weight (lb)
001	67311-13310	HOLDER,RELEASE BRG.	1				0.7	1.54
002	66621-51420	OIL,SEAL	1				0.011	0.0242
003	09030-20328	OIL,SEAL	1				0.009	0.0198
004	09030-20357	OIL,SEAL	1				0.009	0.0198
005	06613-10675	GREASE,NIPPLE	1				0.003	0.0066
006	67311-13320	FORK,CLUTCH RELEASE	1				0.21	0.462
007	66611-13340	SPRING,RELEASE	1				0.006	0.0132
008	01202-50610	BOLT	1				0.004	0.0088
009	04013-50060	WASHER,PLAN	1				0	0
010	66591-13250	FORK,CLUTCH RELEASE	1				0.098	0.2156
011	67401-13320	ROD,CLUTCH	1				0.34	0.748
012	04011-50140	WASHER,PLAIN	1				0.007	0.0154
013	05511-50320	PIN,SPLIT	1				0.002	0.0044
014	66711-13320	BOLT,ADJUSTING	1				0.028	0.0616
015	02116-50100	NUT	1				0.004	0.0088

CLUTCH GROUP



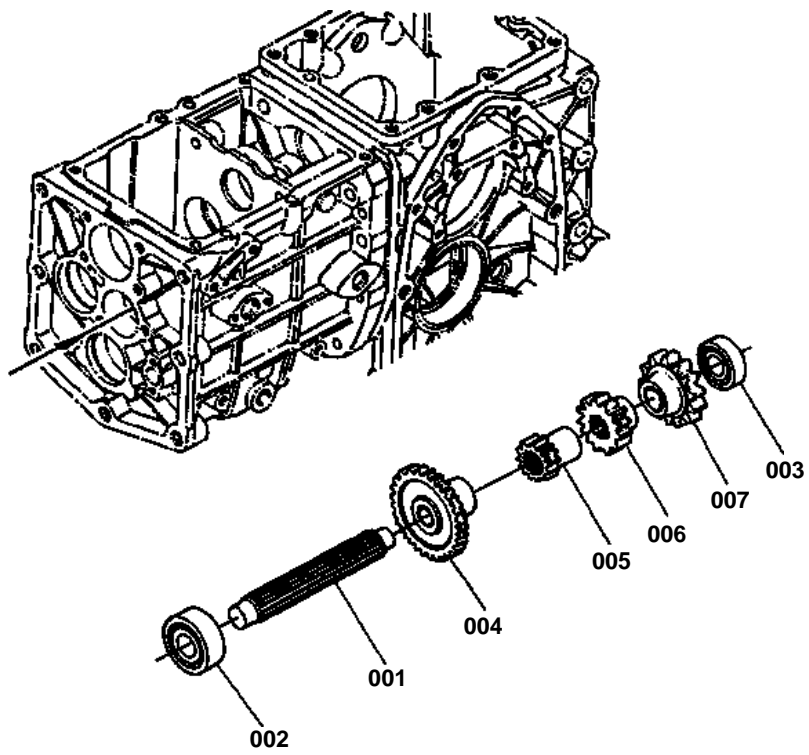


CLUTCH GROUP

↔ Interchangeable; ≠ not interchangeable; ← new for old; → old for new

REF.No	Part No.	Description	Q'ty	S.No.	I/C	REMARKS	Weight (kgf)	Weight (lb)
001	67211-14110	SHAFT,PROPELLER	1				1.2	2.64
002	05411-00628	PIN,SPRING	1				0.004	0.0088
003	67211-14122	ASSY BALL JOINT	1			REF.No.004 TO 009	0.3	0.66
004	67111-13710	COUPLING,BALL OUTER	1				0.225	0.495
005	67211-14133	COUPLING,BALL INNER	1				0.075	0.165
006	67111-13730	GASKET,BALL JOINT	2				0.002	0.0044
007	67111-13740	RETAINER,GASKET	1				0.004	0.0088
008	04611-00350	CIR-CLIP,INTERNAL	1				0.003	0.0066
009	07715-00803	BALL	4				0.004	0.0088
010	05411-00632	PIN,SPPING	1				0.004	0.0088
012	67211-13400	ASSY DISK,CLUTCH	1				0	0
013	67211-13300	ASSY PLATE,PRESSURE	1				2.7	5.94
014	01123-50816	BOLT	6				0.011	0.0242
015	05012-00814	PIN	3				0.006	0.0132

2ND SHAFT GROUP



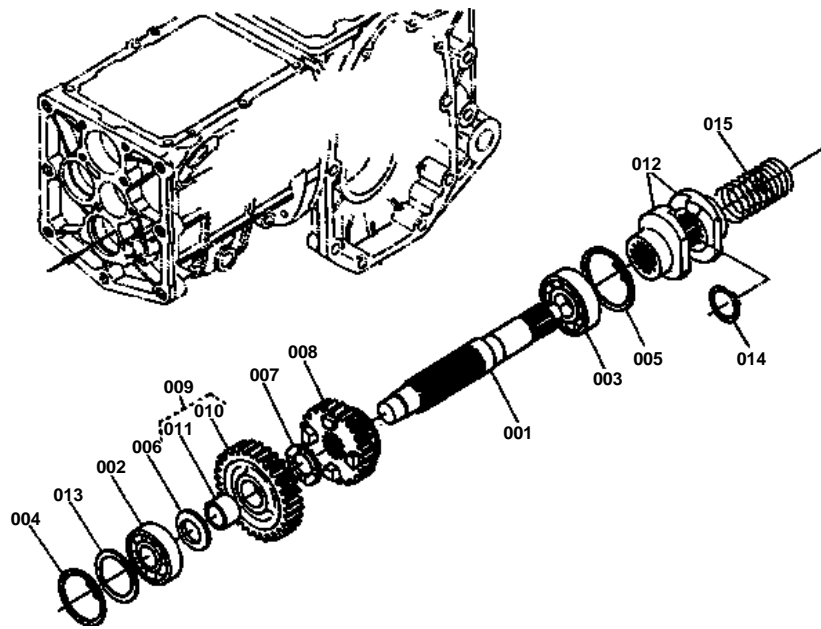


2ND SHAFT GROUP

↔ Interchangeable; ≠ not interchangeable; ← new for old; → old for new

REF.No	Part No.	Description	Q'ty	S.No.	I/C	REMARKS	Weight (kgf)	Weight (lb)
001	67401-14210	SHAFT2	1				0.6	1.32
002	08101-06304	BEARING,BALL	1				0.146	0.3212
003	67311-14270	BEARING,BALL	1				0.09	0.198
004	67401-14230	GEAR 29	1				0.4	0.88
005	67401-14250	GEAR 14	1				0.18	0.396
006	67401-14260	GEAR 13	1				0.23	0.506
007	67401-14270	GEAR 17	1				0.3	0.66

3RD SHAFT GROUP



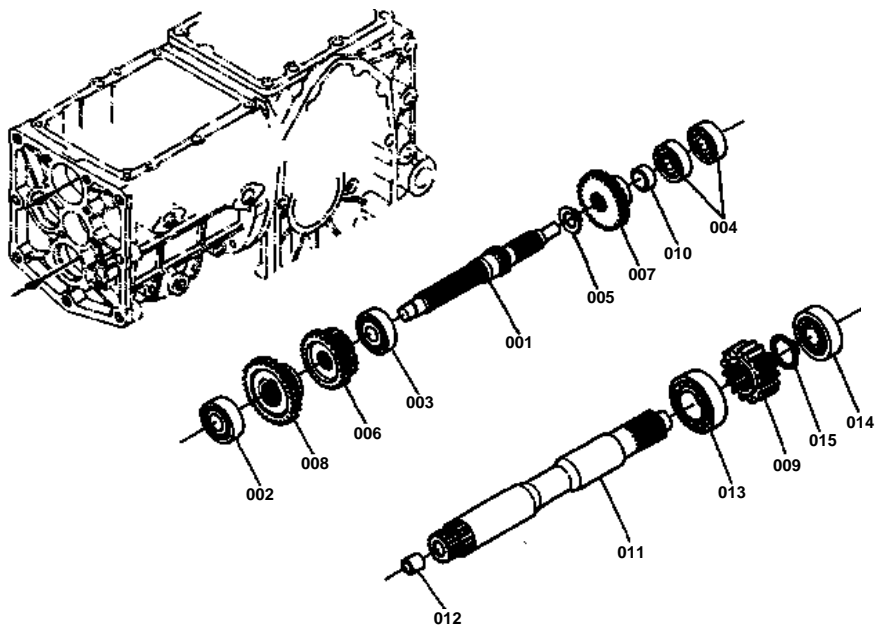


3RD SHAFT GROUP

↔ Interchangeable; ≠ not interchangeable; ← new for old; → old for new

REF.No	Part No.	Description	Q'ty	S.No.	I/C	REMARKS	Weight (kgf)	Weight (lb)
001	67401-14310	SHAFT 3	1				0.75	1.65
002	08101-06303	BEARING,BALL	1				0.112	0.2464
003	08101-06205	BEARING,BALL	1				0.14	0.308
004	04611-00470	CIR-CLIP,INTERNAL	1				0.006	0.0132
005	04611-00520	CIP-CLIP,INTERNAL	1				0.009	0.0198
006	62081-14150	COLLAR 2	1				0.013	0.0286
007	62231-14770	COLLAR,THRUST	1				0	0
008	67401-14320	GEAR 17	1				0.42	0.924
009	67401-14300	ASSY GEAR,BUSH	1			REF.No.010,011	0.46	1.012
010	99999-99999	BLANK	0			ORDER BY REF.No.009	0	0
011	67401-14340	BUSH	1				0.016	0.0352
012	66706-14380	CAM	2				0.198	0.4356
013	62131-14170	SHIM	1				0.002	0.0044
014	04612-00220	CIR-CLIP,EXTERNAL	1				0.001	0.0022
015	66706-14390	SPRING	1				0.045	0.099

4TH SHAFT/5TH SHAFT GROUP



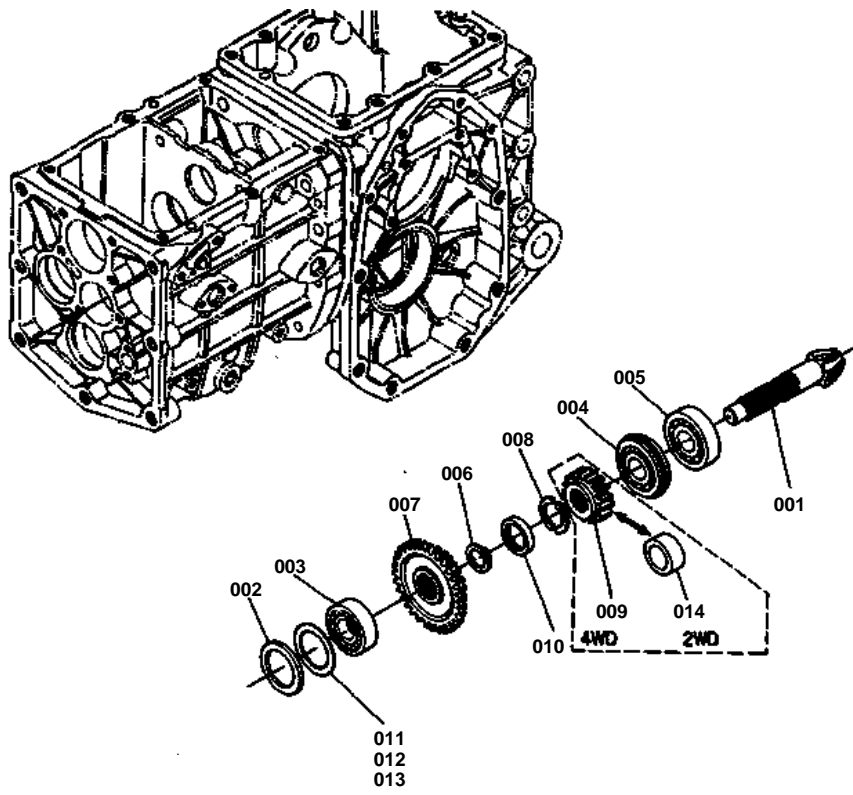


4TH SHAFT/5TH SHAFT GROUP

↔ Interchangeable; ≠ not interchangeable; ← new for old; → old for new

REF.No	Part No.	Description	Q'ty	S.No.	I/C	REMARKS	Weight (kgf)	Weight (lb)
001	67401-14410	SHAFT 4	1				0.77	1.694
002	08101-06304	BEARING,BALL	1				0.146	0.3212
003	08101-06005	BEARING,BALL	1				0.08	0.176
004	08101-06202	BEARING,BALL	2				0.044	0.0968
005	04612-00220	CIR-CLIP,EXTERNAL	1				0.001	0.0022
006	67401-14440	GEAR 13-17	1				0.3	0.66
007	67401-14450	GEAR 20	1				0.3	0.66
008	67401-14460	GEAR 29	1				0.45	0.99
009	66706-14530	GEAR 17	1				0.29	0.638
010	66611-14470	COLLAR	1				0.019	0.0418
011	66706-14510	SHAFT 5	1				0	0
012	66706-14520	BUSH	1				0.004	0.0088
013	67311-14520	BEARING,BALL	1				0.125	0.275
014	67311-14530	BEARING,BALL	1				0.11	0.242
015	04612-00250	CIR-CLIP,EXTERNAL	1				0.002	0.0044

SPIRAL BEVEL SHAFT GROUP



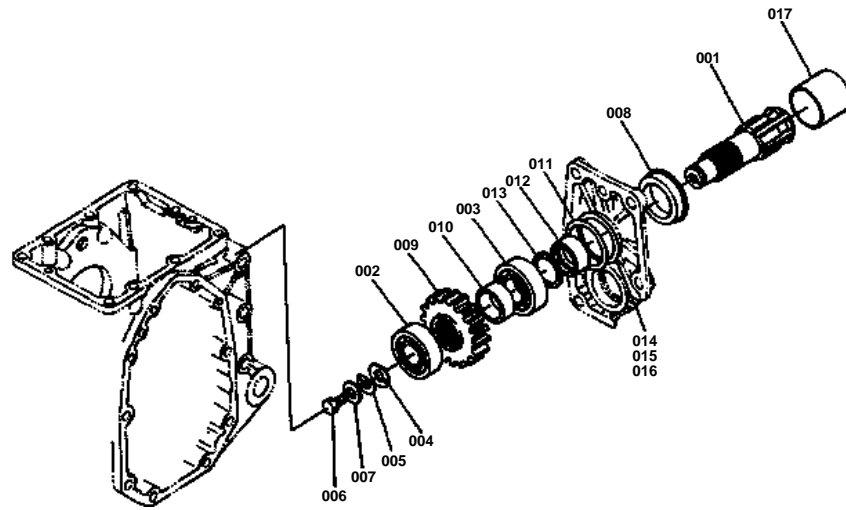


SPIRAL BEVEL SHAFT GROUP

↔ Interchangeable; ≠ not interchangeable; ← new for old; → old for new

REF.No	Part No.	Description	Q'ty	S.No.	I/C	REMARKS	Weight (kgf)	Weight (lb)
001	99999-99999	BLANK	0			ORDER BY REF.NO.002 ON L.NO.0C02-R0	0	0
002	66591-14720	SPACER	1				0.002	0.0044
003	08221-07303	BEARING,BALL	1				0.116	0.2552
004	67211-14620	BEARING,BALL	1				0.23	0.506
005	37230-26740	BEARING,BALL	1				0	0
006	04612-00250	CIR-CLIP, EXTERNAL	1				0.002	0.0044
007	67401-14530	GEAR 13-32	1				0.42	0.924
008	66611-14640	COLLAR,STOP	2				0.003	0.0066
009	66611-14650	GEAR 16	1				0.104	0.2288
010	66611-14660	COLLAR	1				0.018	0.0396
011	66611-14670	SHIM1	1				0.008	0.0176
012	66611-14680	SHIM2	1				0.01	0.022
013	66611-14690	SHIM3	1				0.001	0.0022

PTO SHAFT GROUP



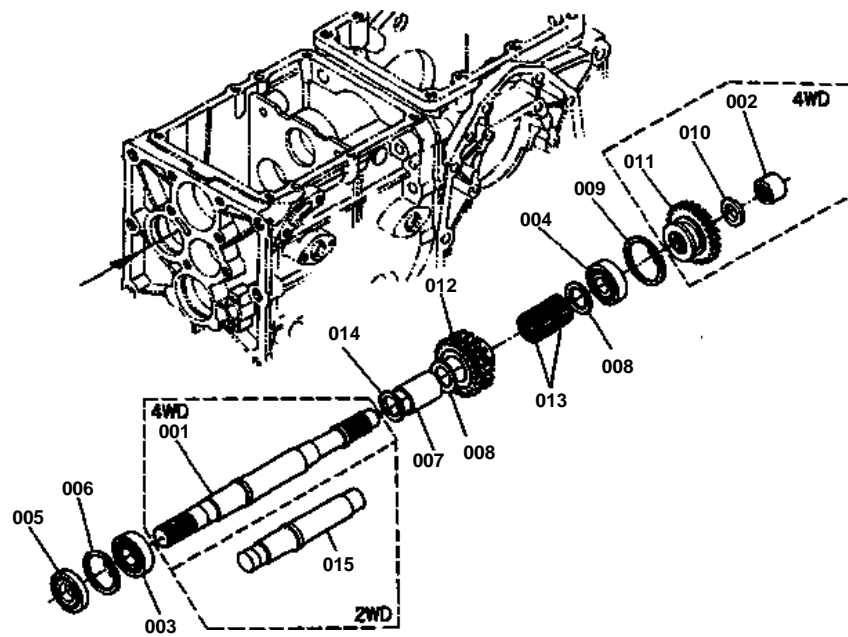


PTO SHAFT GROUP

↔ Interchangeable; ≠ not interchangeable; ← new for old; → old for new

REF.No	Part No.	Description	Q'ty	S.No.	I/C	REMARKS	Weight (kgf)	Weight (lb)
001	66204-14710	SHAFT,PTO	1				0	0
002	08711-30204	BRG.TAPER ROLLAR	1				0.116	0.2552
003	08711-30205	BRG.TAPER ROLLAR	1				0.148	0.3256
004	66704-14720	WASHER	1				0.009	0.0198
005	63753-32430	WASHER,LOCK	1				0.001	0.0022
006	66704-14730	BOLT	1				0.012	0.0264
007	04012-50080	WASHER,PLAIN	1				0.001	0.0022
008	09180-35488	SEAL,OIL	1				0.019	0.0418
009	66706-14790	GEAR 18	1				0.32	0.704
010	66706-14740	COLLAR,PTO	1				0.03	0.066
011	66706-14782	BEARING,COLLAR PTO	1				0.006	0.0132
012	66611-14730	BUSH	1				0.042	0.0924
013	66611-14740	COLLAR,PTO	1				0.004	0.0088
014	66611-14750	SHIM 1,PTO	1				0.002	0.0044
015	66611-14760	SHIM 2,PTO	1				0.002	0.0044
016	66611-14770	SHIM 3,PTO	1				0.001	0.0022
017	66706-14810	COVER,PTO	1				0.024	0.0528

REVERSE SHAFT GROUP



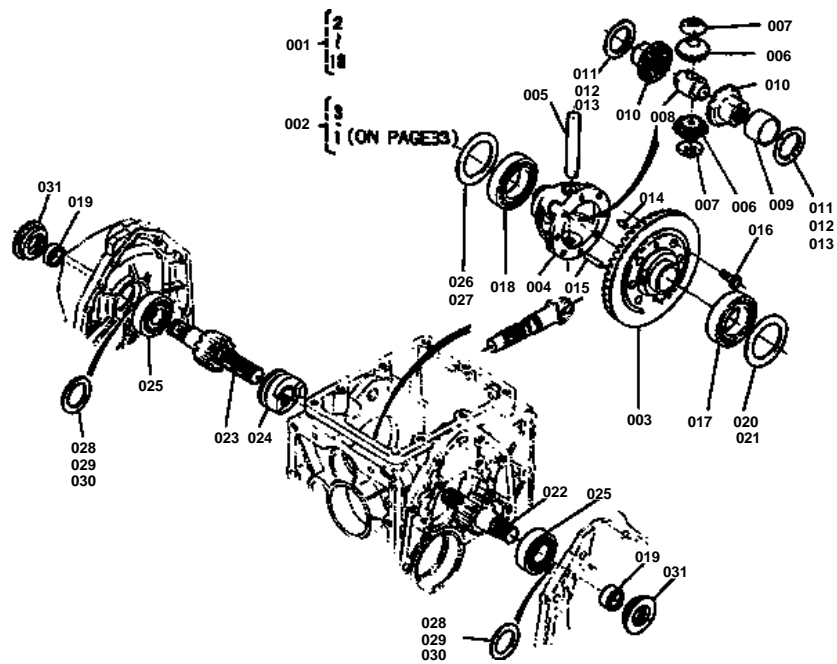


REVERSE SHAFT GROUP

↔ Interchangeable; ≠ not interchangeable; ← new for old; → old for new

REF.No	Part No.	Description	Q'ty	S.No.	I/C	REMARKS	Weight (kgf)	Weight (lb)
001	67321-14810	SHAFT,REVERSE	1				0.84	1.848
002	66611-14820	BEARING,NEEDLE	1				0	0
003	67311-14820	BEARING,BALL	1				0.07	0.154
004	08101-06204	BEARING,BALL	1				0.102	0.2244
005	09500-20428	SEAL,OIL	1				0.012	0.0264
006	04611-00420	CIR-CLIP,INTERNAL	1				0.006	0.0132
007	66711-14870	COLLAR 1	1				0	0
008	62231-14520	COLLAR A	2				0.005	0.011
009	04611-00470	CIR-CLIP,INTERNAL	1				0.006	0.0132
010	66611-14830	COLLAR	1				0.016	0.0352
011	66611-14840	GEAR 24	1				0.26	0.572
012	67401-14850	GEAR 15-22	1				0.4	0.88
013	08822-22617	BEARING,NEEDLE	2				0.012	0.0264
014	66711-14880	COLLAR,REVERSE SHAFT	1				0	0

REAR DIFFERENTIAL GROUP



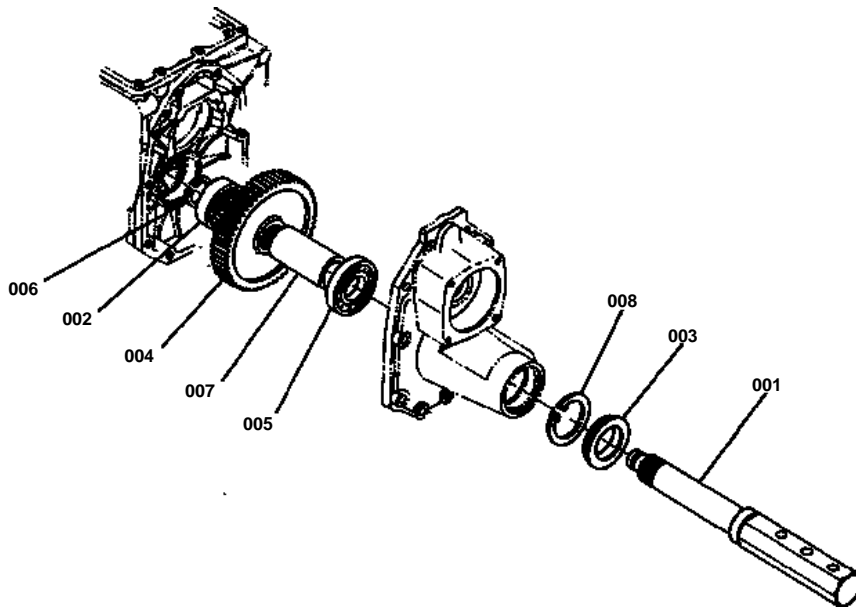


REAR DIFFERENTIAL GROUP

↔ Interchangeable; ≠ not interchangeable; ← new for old; → old for new

REF.No	Part No.	Description	Q'ty	S.No.	I/C	REMARKS	Weight (kgf)	Weight (lb)
001	67751-82600	ASSY DIFFERENTIAL	1			REF.No.002 TO 018	0	0
002	67311-82700	ASSY GEAR,BEVEL 1	1			REF.No.003 AND 001 ON L.No.0C01-L0	0	0
003	99999-99999	BLANK	0			ORDER BY REF.No.002	0	0
004	67311-14973	CASE, DIFFERENTIAL	1				0.7	1.54
005	67711-14912	SHAFT,DIFF PINION	1				0.14	0.308
006	67711-14920	PINION, DIFFERENTIAL	2				0.11	0.242
007	67311-14980	COLLAR,THRUST	2				0.002	0.0044
008	66591-14860	COLLAR,THRUST	1				0.102	0.2244
009	66611-14950	BUSH	1				0.032	0.0704
010	67211-15150	GEAR,DIFF SIDE	2				0.158	0.3476
011	67211-15160	SHIM 1	1				0.01	0.022
012	67211-15170	SHIM 2	1				0.008	0.0176
013	67211-15180	SHIM 3	1				0.01	0.022
014	66591-14792	PIN,KNOCK	1				0.003	0.0066
015	66591-14783	PIN,STRAIGHT	2				0.01	0.022
016	67810-56680	UBS BOLT	6				0.013	0.0286
017	08101-06009	BEARING,BALL	1				0.22	0.484
018	08101-06010	BEARING,BALL	1				0.262	0.5764
019	67401-14970	SLEEVE	2				0.015	0.033
020	66591-14980	SHIM 3,DIFF SIDE	1				0.005	0.011
021	66591-14990	SHIM 4,DIFF SIDE	1				0.002	0.0044
022	67401-14940	SHAFT,DIFF GEAR LH	1				0.6	1.32
023	67401-14950	SHAFT,DIFF GEAR RH	1				0.69	1.518
024	66611-15130	CLUTCH,DIFF LOCK	1				0.2	0.44
025	08101-06305	BEARING,BALL	2				0.23	0.506
026	66611-15140	SHIM 5,DIFF SIDE	1				0.006	0.0132
027	66611-15150	SHIM 6,DIFF SIDE	1				0.002	0.0044
028	67211-14990	SHIM,DIFF G/SHAFT	1				0.002	0.0044
029	66621-15240	SHIM 1,DIFF G/SHAFT	1				0.001	0.0022
030	66621-15250	SHIM 2,DIFF G/SHAFT	1				0.003	0.0066
031	67401-14960	SEAL,OIL	2				0.015	0.033

REAR AXLE GROUP



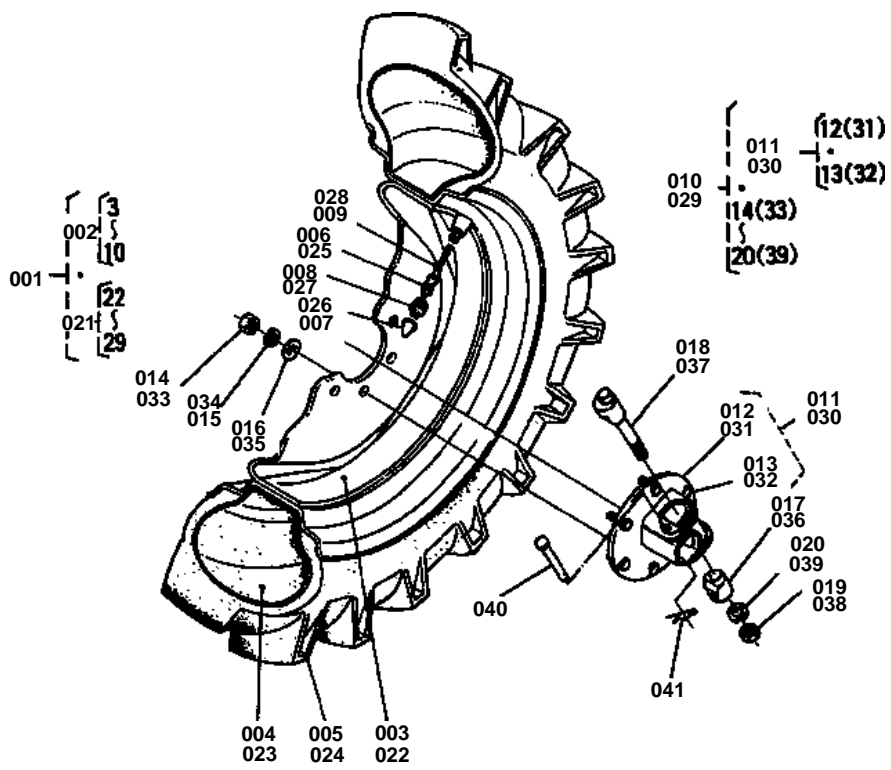


REAR AXLE GROUP

↔ Interchangeable; ≠ not interchangeable; ← new for old; → old for new

REF.No	Part No.	Description	Q'ty	S.No.	I/C	REMARKS	Weight (kgf)	Weight (lb)
001	66611-17114	AXLE,REAR	2				4.64	10.208
002	08101-06306	BEARING,BALL	2				0.335	0.737
003	66611-17120	SEAL,OIL	2				0.09	0.198
004	66611-17130	GEAR 55	2				2.4	5.28
005	08101-06208	BEARING,BALL	2				0.355	0.781
006	04612-00300	CIR-CLIP,EXTERNAL	2				0.003	0.0066
007	66611-17143	COLLAR	2				0.515	1.133
008	04611-00800	CIR-CLIP,INTERNAL	2				0.02	0.044

REAR WHEEL GROUP (7-16) [B5200E-P,B5200D-P]



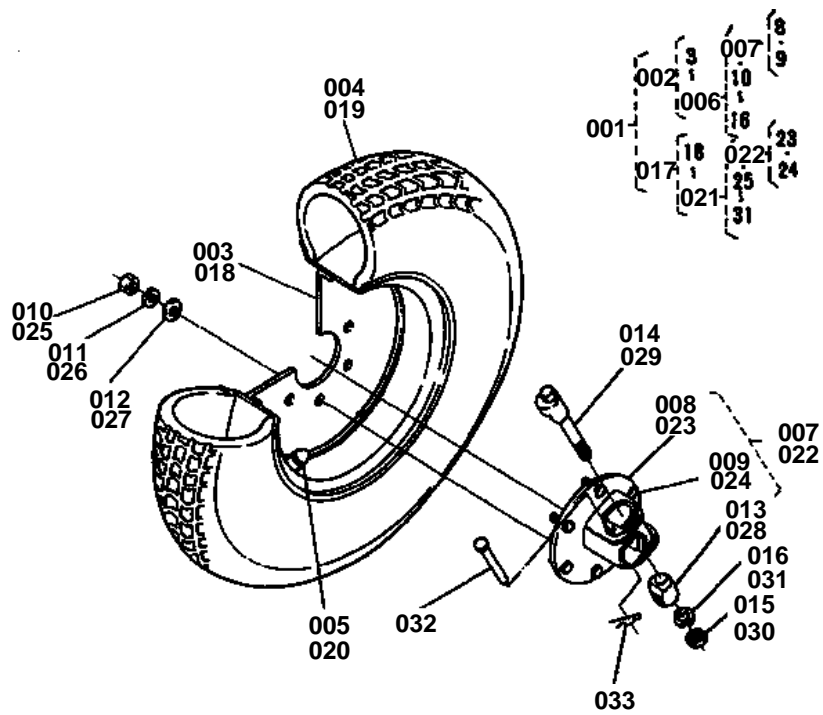


REAR WHEEL GROUP (7-16) [B5200E-P,B5200D-P]

↔ Interchangeable; ≠ not interchangeable; ← new for old; → old for new

REF.No	Part No.	Description	Q'ty	S.No.	I/C	REMARKS	Weight (kgf)	Weight (lb)
001	96017-20310	ASSY REAR WHEEL	1	<=62623		REF.No.002,021	55	121
001	67103-17400	ASSY REAR WHEEL	1	>=62624	≠		0	0
002	96017-23020	ASSY REAR WHEEL LH	1	<=62623		REF.No.003 TO 010	0	0
002	67103-17410	ASSY REAR WHEEL LH	1	>=62624	≠		0	0
003	96018-05110	WHEEL	1	<=62623			11	24.2
003	66414-17520	WHEEL	1	>=62624	≠		11	24.2
004	96017-23310	TUBE	1				1.42	3.124
005	96017-23220	TIRE 7-16	1				11.5	25.3
006	32150-27740	CORE,VALVE	1				0.003	0.0066
007	38240-11690	CAP,VALVE	1				0.001	0.0022
008	32270-27710	NUT,RIM	1				0.006	0.0132
009	32270-27730	HOUSING,VALVE CORE	1				0.014	0.0308
010	67401-17400	ASSY HUB,WHEEL	1			REF.No.011,014 TO 020	0	0
011	67401-17412	ASSY HUB,BOLT	1			REF.No.012,013	0	0
012	67401-17450	HUB,WHEEL	1				0	0
013	66704-17313	BOLT	6				0.049	0.1078
014	02074-50140	NUT	6				0.021	0.0462
015	04512-50140	WASHER,SPRING	6				0	0
016	04013-50140	WASHER,PLAIN	6				0	0
017	67401-17460	COTTER 1	1				0.256	0.5632
018	67401-17470	COTTER 2	1				0.476	1.0472
019	02174-50160	NUT	1				0.022	0.0484
020	04512-50160	WASHER,SPRING	1				0	0
021	96017-23300	ASSY REAR WHEEL RH	1	<=62623		REF.No.022 TO 029	0	0
021	67103-17440	ASSY REAR WHEEL RH	1	>=62624	≠		0	0
022	96018-05110	WHEEL	1	<=62623			11	24.2
022	66414-17520	WHEEL	1	>=62624	≠		11	24.2
023	96017-23310	TUBE	1				1.42	3.124
024	96017-23220	TIRE 7-16	1				11.5	25.3
025	32150-27740	CORE,VALVE	1				0.003	0.0066
026	38240-11690	CAP,VALVE	1				0.001	0.0022
027	32270-27710	NUT,RIM	1				0.006	0.0132
028	32270-27730	HOUSING,VALVE CORE	1				0.014	0.0308
029	67401-17400	ASSY HUB,WHEEL	1			REF.No.030,033 TO 039	0	0
030	67401-17412	ASSY HUB,BOLT	1			REF.No.031,032	0	0
031	67401-17450	HUB,WHEEL	1				0	0
032	66704-17313	BOLT	6				0.049	0.1078
033	02074-50140	NUT	6				0.021	0.0462
034	04512-50140	WASHER,SPRING	6				0	0
035	04013-50140	WASHER,PLAIN	6				0	0
036	67401-17460	COTTER 1	1				0.256	0.5632
037	67401-17470	COTTER 2	1				0.476	1.0472
038	02174-50160	NUT	1				0.022	0.0484
039	04512-50160	WASHER,SPRING	1				0	0
040	63733-17270	PIN,WHEEL TUBE	2				0.05	0.11
041	62131-17290	PIN,SNAP	2				0.004	0.0088

REAR WHEEL GROUP (29 X 12.00-15) [B5200E-PT,B5200D-PT]



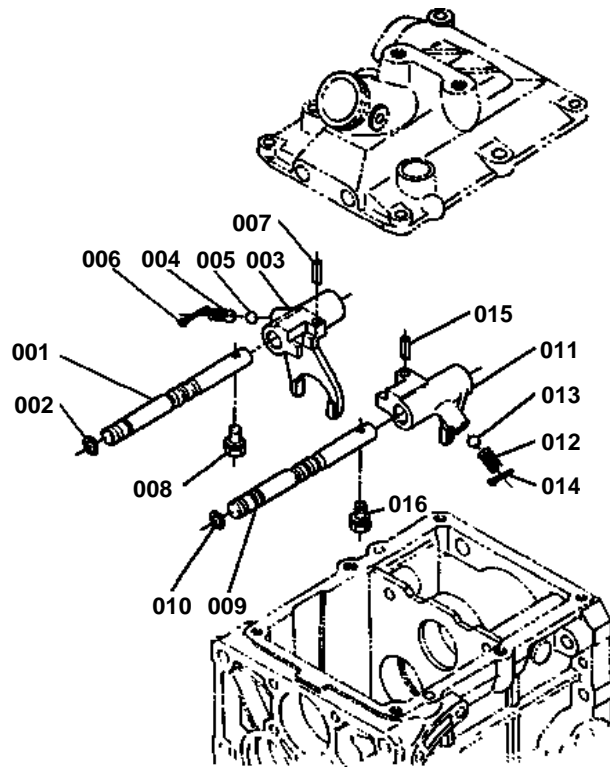


REAR WHEEL GROUP (29 X 12.00-15) [B5200E-PT,B5200D-PT]

↔ Interchangeable; ≠ not interchangeable; ← new for old; → old for new

REF.No	Part No.	Description	Q'ty	S.No.	I/C	REMARKS	Weight (kgf)	Weight (lb)
001	96016-60310	ASSY REAR WHEEL	1	<=62623		REF.No.002,017	35.5	78.1
001	67103-17600	ASSY REAR WHEEL	1	>=62624	≠		0	0
002	96016-63010	ASSY REAR WHEEL LH	1	<=62623		REF.No.003 TO 006	0	0
002	67103-17610	ASSY REAR WHEEL LH	1	>=62624	≠		0	0
003	96016-63110	WHEEL	1	<=62623			13	28.6
003	66414-17720	WHEEL	1	>=62624	≠		13	28.6
004	96016-61130	TIRE 29 X 12.00-15	1				14.4	31.68
005	34159-11850	VALVE,TIRE	1				0.013	0.0286
006	67401-17400	ASSY HUB,WHEEL	1			REF.No.007,010 TO 016	0	0
007	67401-17412	ASSY HUB,BOLT	1			REF.No.008,009	0	0
008	67401-17450	HUB,WHEEL	1				0	0
009	66704-17313	BOLT	6				0.049	0.1078
010	02074-50140	NUT	6				0.021	0.0462
011	04512-50140	WASHER,SPRING	6				0	0
012	04013-50140	WASHER,PLAIN	6				0	0
013	67401-17460	COTTER 1	1				0.256	0.5632
014	67401-17470	COTTER 2	1				0.476	1.0472
015	02174-50160	NUT	1				0.022	0.0484
016	04512-50160	WASHER,SPRING	1				0	0
017	96016-63100	ASSY REAR WHEEL RH	1	<=62623		REF.No.022,025 TO 031	0	0
017	67103-17640	ASSY REAR WHEEL RH	1	>=62624	≠		0	0
018	96016-63110	WHEEL	1	<=62623		REF.No.023,024	13	28.6
018	66414-17720	WHEEL	1	>=62624	≠		13	28.6
019	96016-61130	TIRE 29 X 12.00-15	1				14.4	31.68
020	34159-11850	VALVE,TIRE	1				0.013	0.0286
021	67401-17400	ASSY HUB,WHEEL	1				0	0
022	67401-17412	ASSY HUB,BOLT	1				0	0
023	67401-17450	HUB,WHEEL	1				0	0
024	66704-17313	BOLT	6				0.049	0.1078
025	02704-50140	NUT	6				0	0
026	04512-50140	WASHER,SPRING	6				0	0
027	04013-50140	WASHER,PLAIN	6				0	0
028	67401-17460	COTTER 1	1				0.256	0.5632
029	67401-17470	COTTER 2	1				0.476	1.0472
030	02174-50160	NUT	1				0.022	0.0484
031	04512-50160	WASHER,SPRING	1				0	0
032	63733-17270	PIN,WHEEL TUBE	2				0.05	0.11
033	62131-17290	PIN,SNAP	2				0.004	0.0088

SPEED CHANGE FORK GROUP



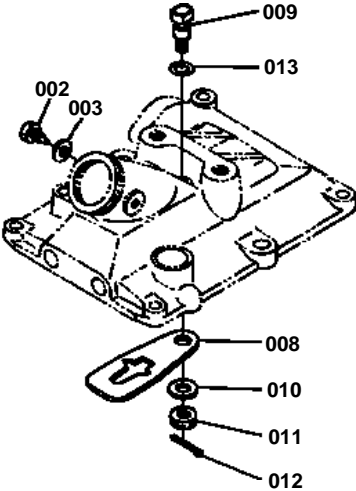
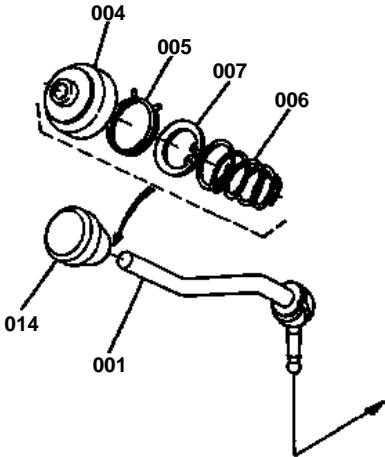


SPEED CHANGE FORK GROUP

↔ Interchangeable; ≠ not interchangeable; ← new for old; → old for new

REF.No	Part No.	Description	Q'ty	S.No.	I/C	REMARKS	Weight (kgf)	Weight (lb)
001	67401-18110	SHAFT,FORK	1				0.16	0.352
002	04811-06100	O RING	1				0.001	0.0022
003	67311-18120	FORK,SHIFT	1				0.25	0.55
004	62061-18260	SPRING	1				0.002	0.0044
005	07715-01605	BALL	1				0.003	0.0066
006	05511-50322	PIN,SPLIT	1				0.002	0.0044
007	05411-00520	PIN,SPRING	1				0.002	0.0044
008	01123-50820	BOLT	1				0.011	0.0242
009	67401-18120	SHAFT,FORK	1				0.16	0.352
010	04811-06100	O RING	1				0.001	0.0022
011	67311-18140	FORK,SHIFT	1				0.27	0.594
012	62061-18260	SPRING	1				0.002	0.0044
013	07715-01605	BALL	1				0.003	0.0066
014	05511-50322	PIN,SPLIT	1				0.002	0.0044
015	05411-00520	PIN,SPRING	1				0.002	0.0044
016	01123-50820	BOLT	1				0.011	0.0242

MAIN SPEED CHANGE GROUP



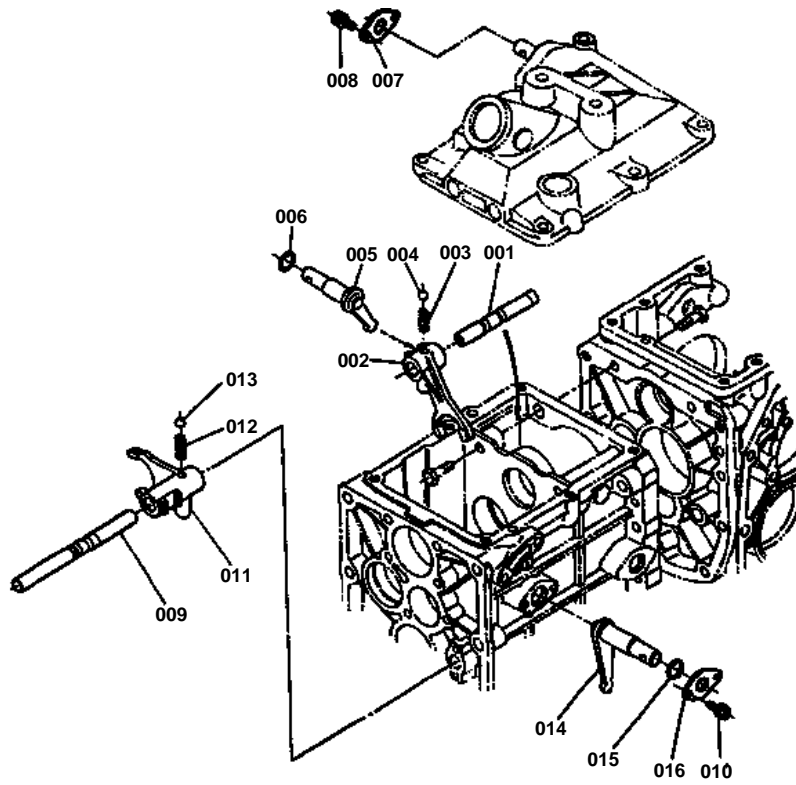


MAIN SPEED CHANGE GROUP

↔ Interchangeable; ≠ not interchangeable; ← new for old; → old for new

REF.No	Part No.	Description	Q'ty	S.No.	I/C	REMARKS	Weight (kgf)	Weight (lb)
001	67401-18310	LEVER,MAIN S-CHANGE	1				0.35	0.77
002	66515-18240	PIN,ROD GUIDE	2				0.01	0.022
003	04714-00080	GASKET	2				0.001	0.0022
004	66591-18420	COVER,MAIN S-CHANGE	1				0.014	0.0308
005	67111-18280	BAND 2	1				0.015	0.033
006	66591-18430	SP.S-CHANGE LEVER	1				0.024	0.0528
007	04611-00380	CIR-CLIP,INTERNAL	1				0.004	0.0088
008	66591-18443	PLATE,CHECK	1				0.06	0.132
009	66591-18450	BOLT,CHECK PLATE	1				0.024	0.0528
010	04011-50100	WASHER,PLAIN	1				0.002	0.0044
011	02372-50100	NUT	1				0.005	0.011
012	05511-50218	PIN,SPLIT	1				0.001	0.0022
013	04811-10100	O RING	1				0.001	0.0022
014	66711-42310	GRIP,LEVER	1				0.033	0.0726

AUX.SPEED CHANGE GROUP

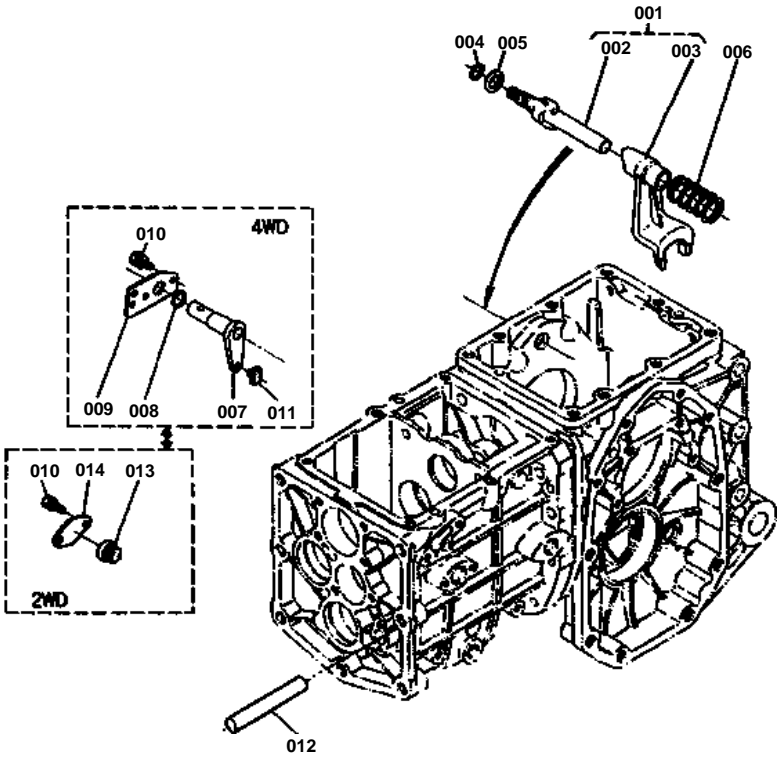


**AUX.SPEED CHANGE GROUP**

↔ Interchangeable; ≠ not interchangeable; ← new for old; → old for new

REF.No	Part No.	Description	Q'ty	S.No.	I/C	REMARKS	Weight (kgf)	Weight (lb)
001	67401-18410	SHAFT,FORK	1				0.094	0.2068
002	66611-18420	FORK,SHIFT	1				0	0
003	62061-18260	SPRING	1				0.002	0.0044
004	07715-01605	BALL	1				0.003	0.0066
005	66591-18170	ARM,AUX S-CHANGE	1				0.106	0.2332
006	04811-00160	O RING	1				0.001	0.0022
007	66591-18180	HOLDER,FORK ROD	1				0.012	0.0264
008	01202-50614	BOLT	2				0.006	0.0132
009	67401-18610	SHAFT	1				0.18	0.396
010	01202-50614	BOLT	2				0.006	0.0132
011	67311-18620	FORK	1				0.18	0.396
012	62061-18260	SPRING	1				0.002	0.0044
013	07715-01605	BALL	1				0.003	0.0066
014	66591-18220	ARM	1				0.12	0.264
015	04811-00160	O RING	1				0.001	0.0022
016	66591-18180	HOLDER,FORK ROD	1				0.012	0.0264

ROTARY SPEED CHANGE FORK GROUP



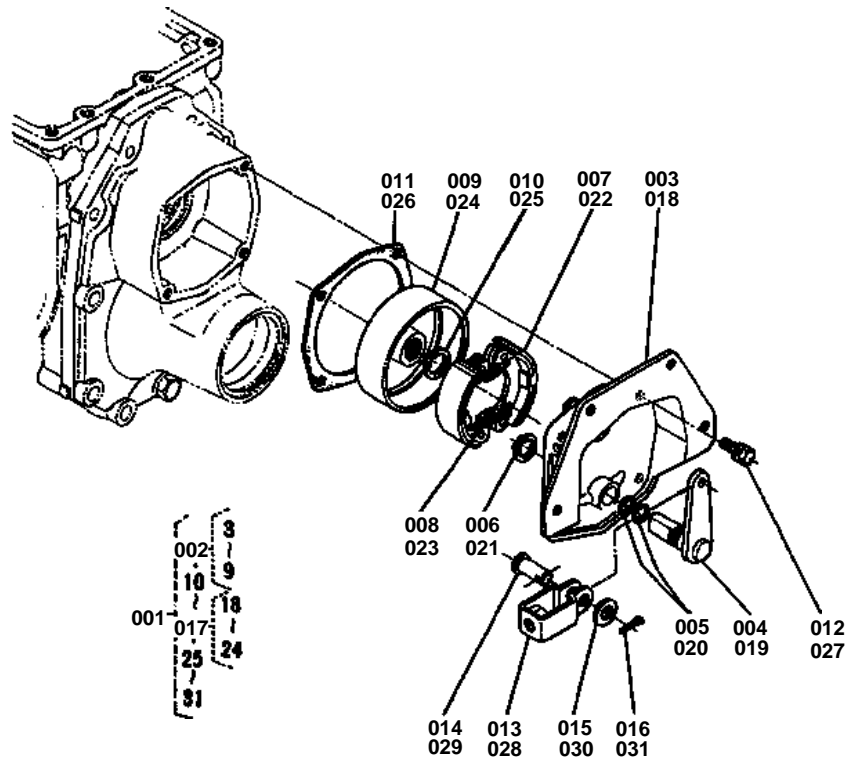


ROTARY SPEED CHANGE FORK GROUP

↔ Interchangeable; ≠ not interchangeable; ← new for old; → old for new

REF.No	Part No.	Description	Q'ty	S.No.	I/C	REMARKS	Weight (kgf)	Weight (lb)
001	66611-19100	ASSY CAM,FORK	1			REF.No.002,003	0.42	0.924
002	66591-18280	ROD,FORK	1				0.16	0.352
003	66611-19110	FORK	1				0.24	0.528
004	04811-10120	O RING	1				0.001	0.0022
005	66591-18340	SHIM	2				0.001	0.0022
006	66591-18320	SPRING	1				0.02	0.044
007	66611-19210	LEVER,FORK	1				0.12	0.264
008	04811-00160	O RING	1				0.001	0.0022
009	66204-19220	HOLDER,FORK ROD	1				0.03	0.066
010	01202-50614	BOLT	2				0.006	0.0132
011	66611-19230	SHIFTER	1				0.012	0.0264
012	66611-19310	ROD	1				0.129	0.2838

BRAKE GROUP

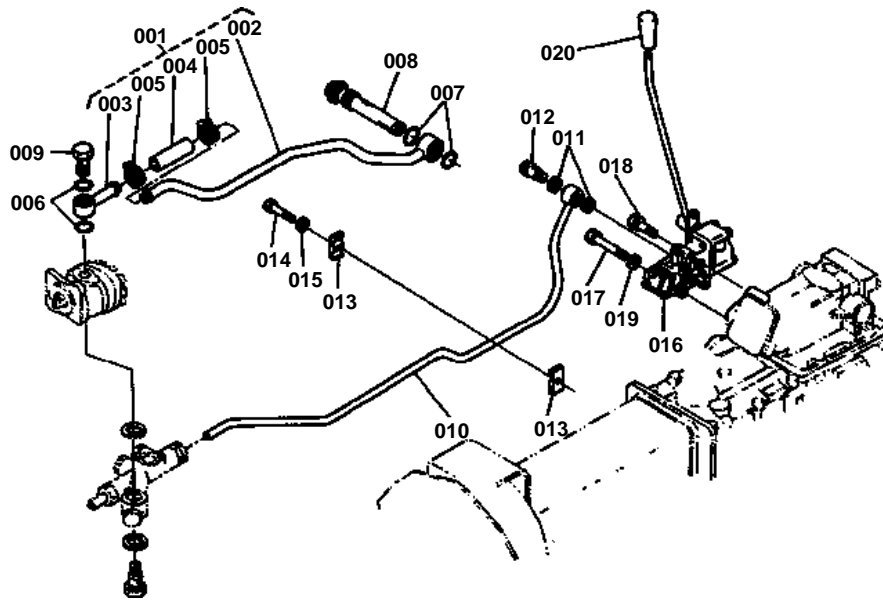


**BRAKE GROUP**

↔ Interchangeable; ≠ not interchangeable; ← new for old; → old for new

REF.No	Part No.	Description	Q'ty	S.No.	I/C	REMARKS	Weight (kgf)	Weight (lb)
001	66611-22102	ASSY BRAKE	1			REF.NO.002,010 TO 017 AND 025 TO 031	5.14	11.308
002	66611-22303	ASSY BRAKE,LH	1			REF.No.003 TO 009	0	0
003	66611-22312	COVER,BRAKE LH	1				1.04	2.288
004	66591-22330	CAM,BRAKE LH	1				0.204	0.4488
005	04811-05170	O RING	2				0.001	0.0022
006	04612-00200	CIR-CLIP, EXTERNAL	1				0.001	0.0022
007	66611-88800	SHOE,BRAKE	2				0	0
008	66591-22350	SPRING,RETURN	2				0.003	0.0066
009	66611-22360	DRUM,BRAKE	1				0	0
010	04612-00220	CIR-CLIP, EXTERNAL	1				0.001	0.0022
011	66591-22410	GASKET,BRAKE	1				0	0
012	01123-50822	BOLT	4				0.012	0.0264
013	63753-42350	METAL,MAIN CLUTCH	1				0.038	0.0836
014	05122-50820	PIN,JOINT	1				0.009	0.0198
015	04012-50080	WASHER,PLAIN	1				0.001	0.0022
016	05511-50215	PIN,SPLIT	1				0.001	0.0022
017	66611-22403	ASSY BRAKE,RH	1			REF.No.018 TO 024	0	0
018	66611-22412	COVER BRAKE,RH	1				1.05	2.31
019	66591-22370	CAM,BRAKE RH	1				0.204	0.4488
020	04811-05170	O RING	2				0.001	0.0022
021	04612-00200	CIR-CLIP, EXTERNAL	1				0.001	0.0022
022	66611-88800	SHOE,BRAKE	2				0	0
023	66591-22350	SPRING,RETURN	2				0.003	0.0066
024	66611-22360	DRUM,BRAKE	1				0	0
025	04612-00220	CIR-CLIP, EXTERNAL	1				0.001	0.0022
026	66591-22410	GASKET,BRAKE	1				0	0
027	01123-50822	BOLT	4				0.012	0.0264
028	63753-42350	METAL,MAIN CLUTCH	1				0.038	0.0836
029	05122-50820	PIN,JOINT	1				0.009	0.0198
030	04012-50080	WASHER,PLAIN	1				0.001	0.0022
031	05511-50215	PIN,SPLIT	1				0.001	0.0022

HYDRAULIC PIPING GROUP



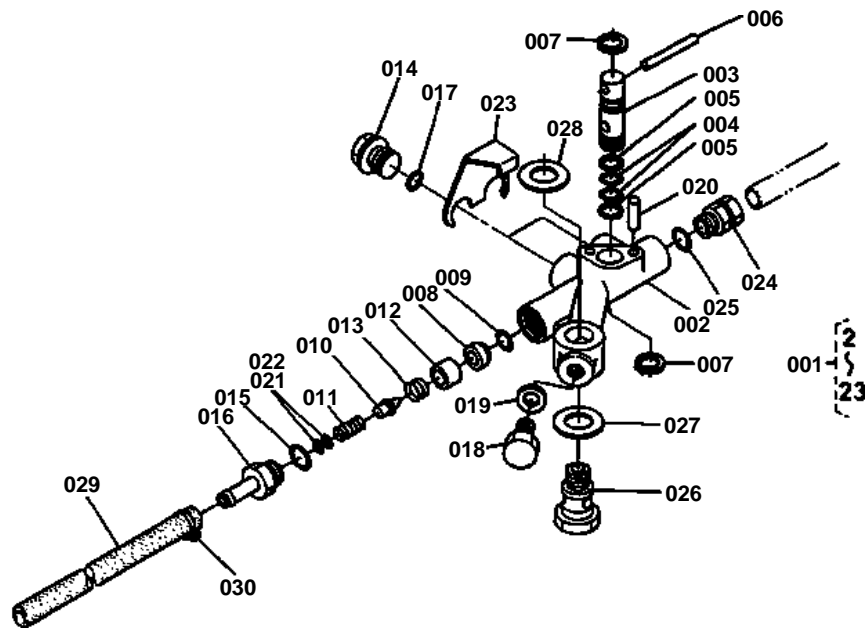


HYDRAULIC PIPING GROUP

↔ Interchangeable; ≠ not interchangeable; ← new for old; → old for new

REF.No	Part No.	Description	Q'ty	S.No.	I/C	REMARKS	Weight (kgf)	Weight (lb)
001	67401-36100	ASSY PIPE	1				0.8	1.76
002	66704-36110	PIPE,REAR	1				0.5	1.1
003	67401-36120	PIPE,FRONT	1				0.15	0.33
004	66204-36720	HOSE 2.27 X 19	1				0.04	0.088
005	66204-36280	BAND,PIPE 27	2				0.02	0.044
006	04811-00220	O RING	2				0.001	0.0022
007	04811-10300	O RING	2				0.001	0.0022
008	66611-36120	FILTER,OIL	1	<=62647			0.2	0.44
008	66021-36390	FILTER,OIL	1	>=62648			0.185	0.407
009	32170-38170	BOLT,EYE JOINT	1				0.09	0.198
010	67491-36130	PIPE,DELIVERY	1				0.476	1.0472
011	67111-37180	GASKET	2				0.003	0.0066
012	54203-36150	BOLT,JOINT	1				0.079	0.1738
013	66711-36140	CLAMP,PIPE	2				0.007	0.0154
014	01053-50645	BOLT	1				0.012	0.0264
015	04015-50060	WASHER,PLAIN	1				0	0
016	67491-36200	ASSY VALVE CONTROL	1			REFER TO L.No.0E02-R0 FOR COMPONENTS.	0	0
017	01150-50875	BOLT	2				0	0
018	01123-50845	BOLT	1				0.02	0.044
019	04512-50080	WASHER,SPRING	2				0.001	0.0022
020	54201-23270	GRIP,LEVER	1				0.02	0.044

HYDRAULIC BLOCK GROUP

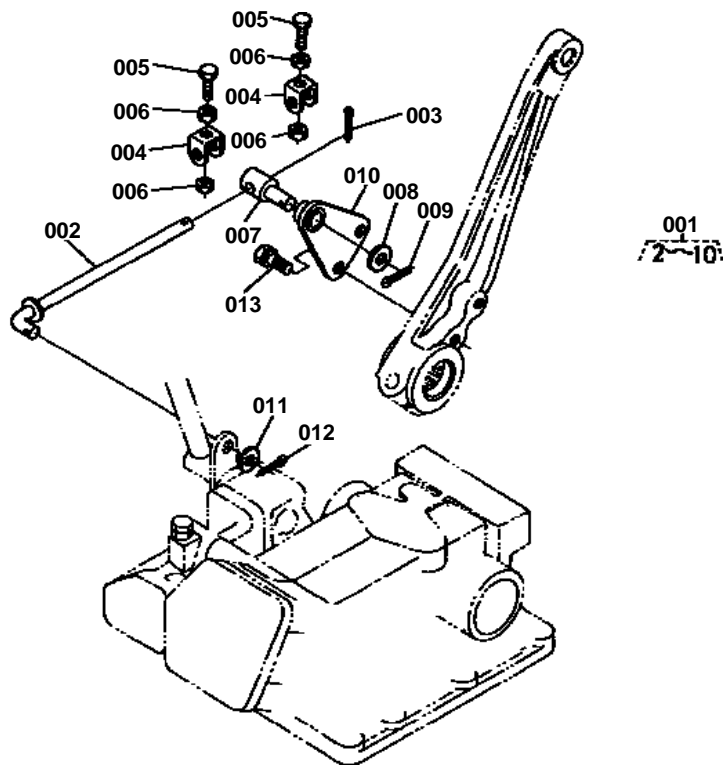




HYDRAULIC BLOCK GROUP

↔ Interchangeable; ≠ not interchangeable; ← new for old; → old for new

REF.No	Part No.	Description	Q'ty	S.No.	I/C	REMARKS	Weight (kgf)	Weight (lb)
001	67401-36300	ASSY BLOCK,HYDRAULIC	1			REF.No.002 TO 023	1.2	2.64
002	67401-36310	BLOCK,HYDRAULIC	1				0.8	1.76
003	67401-36320	SPOOL,SWITCHING	1				0.08	0.176
004	04811-00120	O RING	2				0.001	0.0022
005	68551-61420	RING,BACK UP	2				0.001	0.0022
006	05012-00650	PIN,STRAIGHT	1				0.01	0.022
007	04612-00160	CIR-CLIP,EXTERNAL	2				0.001	0.0022
008	67111-37320	HOLDER	1				0.01	0.022
009	04811-00120	O RING	1				0.001	0.0022
010	67111-37330	POPPET	1				0.008	0.0176
011	67111-37360	SPRING,RELIEF 1	1				0.01	0.022
012	67401-36340	COLLAR	1				0.01	0.022
013	67401-36350	SPRING	1				0.004	0.0088
014	67401-36360	PLUG	2				0.047	0.1034
015	04811-00180	O RING	1				0.001	0.0022
016	67401-36370	PLUG	1				0.047	0.1034
017	04811-00140	O RING	2				0.001	0.0022
018	06311-45010	PLUG	1				0.001	0.0022
019	04714-00100	GASKET	1				0.002	0.0044
020	05012-00620	PIN,STRAIGHT	2				0.005	0.011
021	67111-37530	SHIM,RELIEF ADJUST 1	1				0.001	0.0022
022	67111-37580	SHIM,RELIEF ADJUST 2	1				0.001	0.0022
023	67401-36380	INTERLOCKER	1				0.025	0.055
024	36330-63080	NIPPLE	1				0.07	0.154
025	04811-00140	O RING	1				0.001	0.0022
026	67401-36710	BOLT,JOINT	1				0.087	0.1914
027	67401-36720	GASKET	1				0.005	0.011
028	04714-00400	GASKET	1				0.003	0.0066
029	67401-36750	HOSE 19 X 9.5	1				0.05	0.11
030	15109-73360	BAND,PIPE	2				0.01	0.022



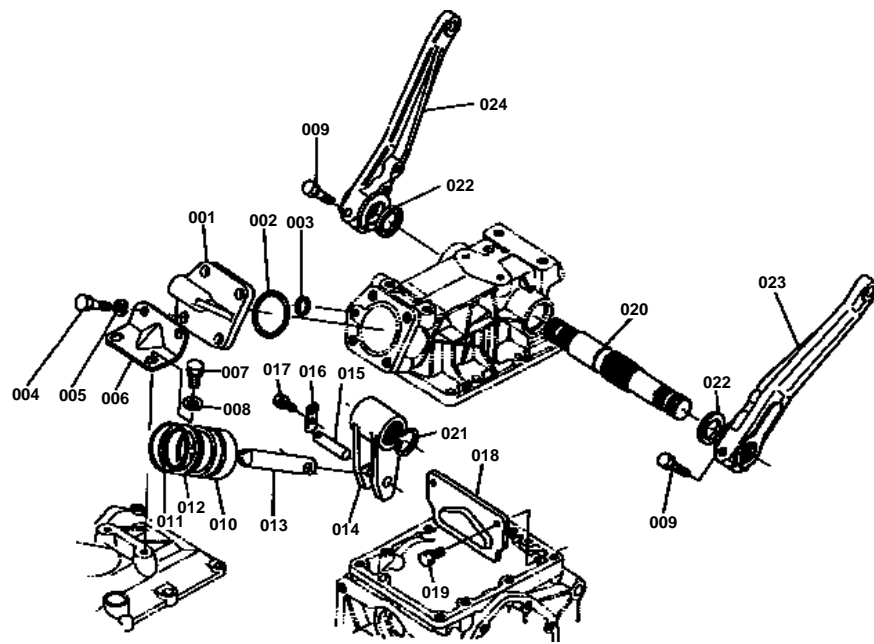


HYDRAULIC 1 GROUP

↔ Interchangeable; ≠ not interchangeable; ← new for old; → old for new

REF.No	Part No.	Description	Q'ty	S.No.	I/C	REMARKS	Weight (kgf)	Weight (lb)
001	66704-36300	ASSY ROD,CHECK	1			REF.No.002 TO 010	0.25	0.55
002	66704-36310	ROD,CHECK	1				0.075	0.165
003	05511-50215	PIN,SPLIT	1				0.001	0.0022
004	66611-36320	INTERLOCKER	2				0.022	0.0484
005	01153-50822	BOLT	2				0.011	0.0242
006	02112-50080	NUT	4				0.003	0.0066
007	66591-36540	SHAFT	1				0.034	0.0748
008	04011-50100	WASHER,PLAIN	1				0.002	0.0044
009	05511-50318	PIN,SPLIT	1				0.001	0.0022
010	66591-36550	HOLDER	1				0.072	0.1584
011	04012-50080	WASHER,PLAIN	1				0.001	0.0022
012	05511-50215	PIN,SPLIT	1				0.001	0.0022
013	01123-50822	BOLT	2				0.012	0.0264

HYDRAULIC 2 GROUP



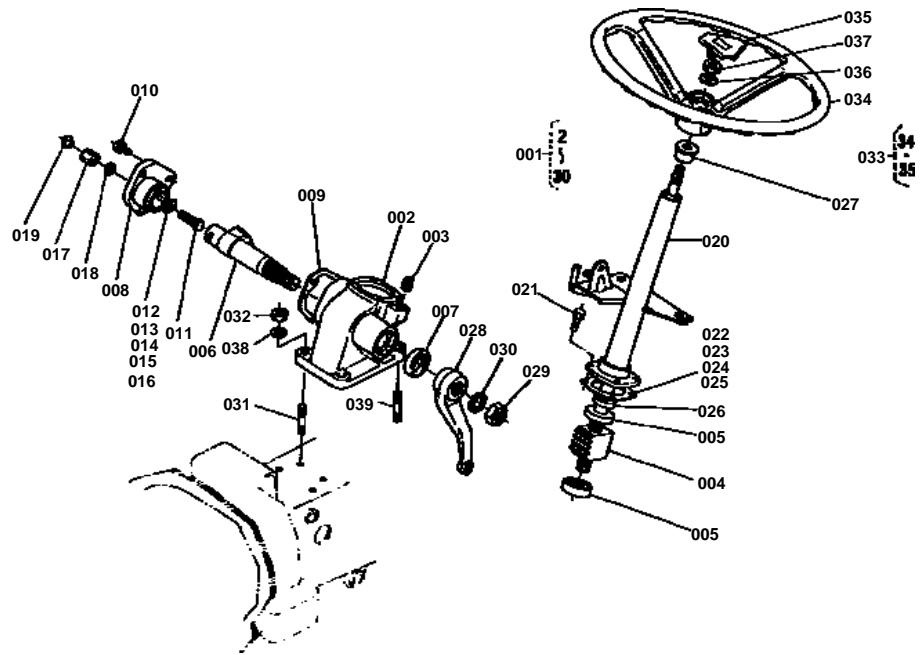


HYDRAULIC 2 GROUP

↔ Interchangeable; ≠ not interchangeable; ← new for old; → old for new

REF.No	Part No.	Description	Q'ty	S.No.	I/C	REMARKS	Weight (kgf)	Weight (lb)
001	67311-36610	CAP,CYLINDER	1				0.72	1.584
002	04810-50550	O RING	1				0.002	0.0044
003	04811-00080	O RING	1				0.001	0.0022
004	66711-36440	BOLT	4				0.045	0.099
005	04512-50120	WASHER,SPRING	4				0.003	0.0066
006	66611-36413	STAY	1				0.14	0.308
007	01120-51025	BOLT	2				0	0
008	04013-50100	WASHER,PLAIN	2				0	0
009	01123-51050	BOLT	2				0.035	0.077
010	67211-36410	PISTON,OIL PRESSURE	1				0.55	1.21
011	04810-08500	O RING	1				0.005	0.011
012	67211-36420	RING,BACK UP	1				0.003	0.0066
013	66591-36640	ROD,O/P PISTON	1				0.31	0.682
014	66591-36650	ARM,OIL PRESSURE	1				0.8	1.76
015	66591-36660	PIN,ARM	1				0.045	0.099
016	66591-36670	PLATE,LOCK	1				0.01	0.022
017	01202-50614	BOLT	2				0.006	0.0132
018	66621-36750	PLATE,O/P ARM	1				0.34	0.748
019	67211-36610	BOLT	2				0.015	0.033
020	66591-36694	SHAFT,O/P ARM	1				0	0
021	04612-00320	CIR-CLIP,EXTERNAL	1				0.004	0.0088
022	09230-28405	SEAL,OIL	2				0.006	0.0132
023	66611-36512	ARM,LIFT LH	1				0	0
024	66611-36522	ARM,LIFT RH	1				0	0

STEERING GROUP

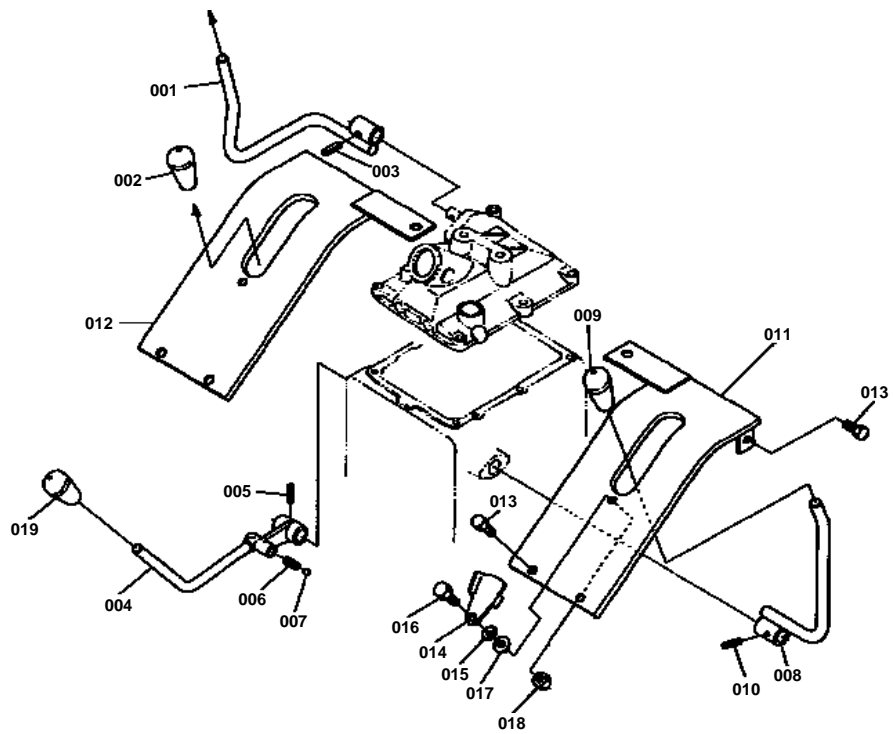


**STEERING GROUP**

↔ Interchangeable; ≠ not interchangeable; ← new for old; → old for new

REF.No	Part No.	Description	Q'ty	S.No.	I/C	REMARKS	Weight (kgf)	Weight (lb)
001	67401-41100	ASSY STEERING	1			REF.No.002 TO 030	7.5	16.5
002	67211-41110	CASE,STEERING GEAR	1				2.82	6.204
003	34150-16640	PLUG	1				0.015	0.033
004	67211-41120	ASSY NUT,BALL	1				1.15	2.53
005	66811-41140	BEARING,THRUST BALL	2				0.045	0.099
006	66811-41150	SHAFT,SECTOR	1				0.52	1.144
007	09500-22358	SEAL,OIL	1				0.01	0.022
008	66811-41160	COVER,SIDE	1				0.3	0.66
009	66811-41170	GASKET	1				0	0
010	01123-50822	BOLT	3				0.012	0.0264
011	66811-41180	SCREW,ADJUSTING	1				0.013	0.0286
012	66811-41190	COLLAR,ADJUSTING 1	1				0.002	0.0044
013	66811-41210	COLLAR,ADJUSTING 2	1				0.001	0.0022
014	66811-41220	COLLAR,ADJUSTING 3	1				0.001	0.0022
015	66811-41230	COLLAR,ADJUSTING 4	1				0.001	0.0022
016	66811-41240	COLLAR,ADJUSTING 5	1				0.001	0.0022
017	66811-41250	NUT	1				0.027	0.0594
018	04714-00080	GASKET	1				0.001	0.0022
019	61011-18140	PLUG,RUBBER	1				0.002	0.0044
020	67401-41130	POST,STEERING	1				1.5	3.3
021	01123-50820	BOLT	4				0.011	0.0242
022	66811-41320	SHIM 1	1				0.001	0.0022
023	66811-41340	SHIM 3	1				0.001	0.0022
024	66811-41350	SHIM 4	1				0.001	0.0022
025	66811-41360	SHIM 5	1				0.003	0.0066
026	09500-16287	SEAL,OIL	1				0.01	0.022
027	67401-41150	BUSH,POST	1				0.03	0.066
028	67211-41140	ARM,PITMAN	1				0.48	1.056
029	02172-50160	NUT	1				0.017	0.0374
030	04512-50160	WASHER,SPRING	1				0	0
031	01517-51028	STUD	3				0.022	0.0484
032	02118-50100	NUT	4				0.005	0.011
033	67401-41400	ASSY WHEEL,STEERING	1			REF.No.034,035	0	0
034	99999-99999	BLANK	0			ORDER BY REF.No.033	0	0
035	67401-41420	CAP,STEERING WHEEL	1				0.052	0.1144
036	04512-50120	WASHER,SPRING	1				0.003	0.0066
037	02172-50120	NUT	1				0.01	0.022
038	04512-50100	WASHER,SPRING	4				0	0
039	01517-51035	STUD	1				0.028	0.0616

SPEED CHANGE LEVER GROUP



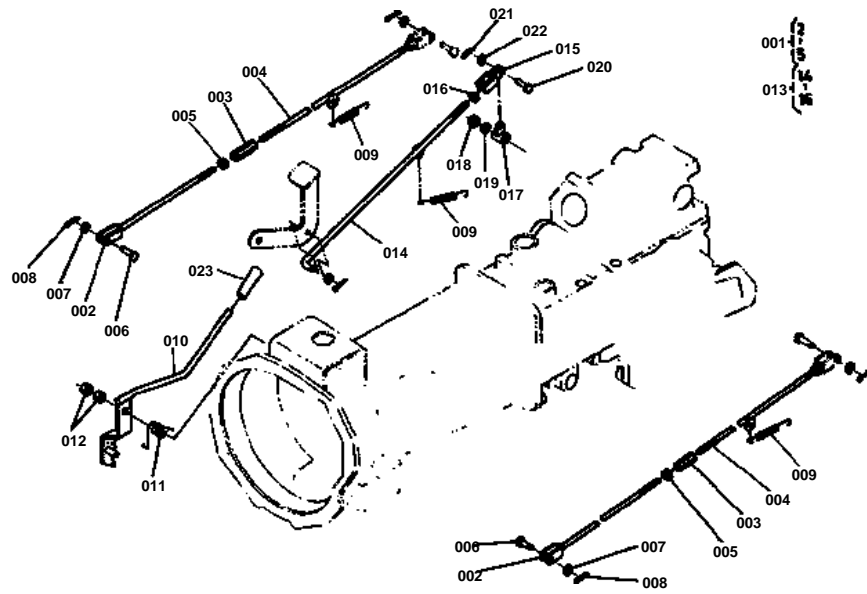


SPEED CHANGE LEVER GROUP

↔ Interchangeable; ≠ not interchangeable; ← new for old; → old for new

REF.No	Part No.	Description	Q'ty	S.No.	I/C	REMARKS	Weight (kgf)	Weight (lb)
001	67401-42510	LEVER 1	1				0.33	0.726
002	54201-23270	GRIP,LEVER	1				0.02	0.044
003	05411-00630	PIN,SPRING	1				0.004	0.0088
004	67401-42610	LEVER	1				0.3	0.66
005	05411-00630	PIN,SPRING	1				0.004	0.0088
006	62061-18260	SPRING	1				0.002	0.0044
007	07715-01605	BALL	1				0.003	0.0066
008	67401-42710	LEVER	1				0.26	0.572
009	54201-23270	GRIP,LEVER	1				0.02	0.044
010	05411-00630	PIN,SPRING	1				0.004	0.0088
011	67401-52760	COVER,S-GHANGE LH	1				0.26	0.572
011	67405-52760	COVER,S-GHANGE LH	1		≠		0.23	0.506
012	67401-52770	COVER,S-GHANGE RH	1	<=62623			0.26	0.572
012	67405-52770	COVER,S-GHANGE RH	1	>=62624	≠		0.23	0.506
013	01123-50818	BOLT	6				0.012	0.0264
014	67401-52780	PLATE,CHECK	1	<=62623			0.03	0.066
014	67405-52780	PLATE,CHECK	1	>=62624	≠		0.02	0.044
015	67401-52790	CUSHION	1				0.002	0.0044
016	01150-50822	BOLT	1				0.012	0.0264
017	04013-50080	WASHER,PLAIN	1				0	0
018	02114-50080	NUT	1				0.005	0.011
019	54201-23270	GRIP,LEVER	1				0.02	0.044

BRAKE ROD GROUP

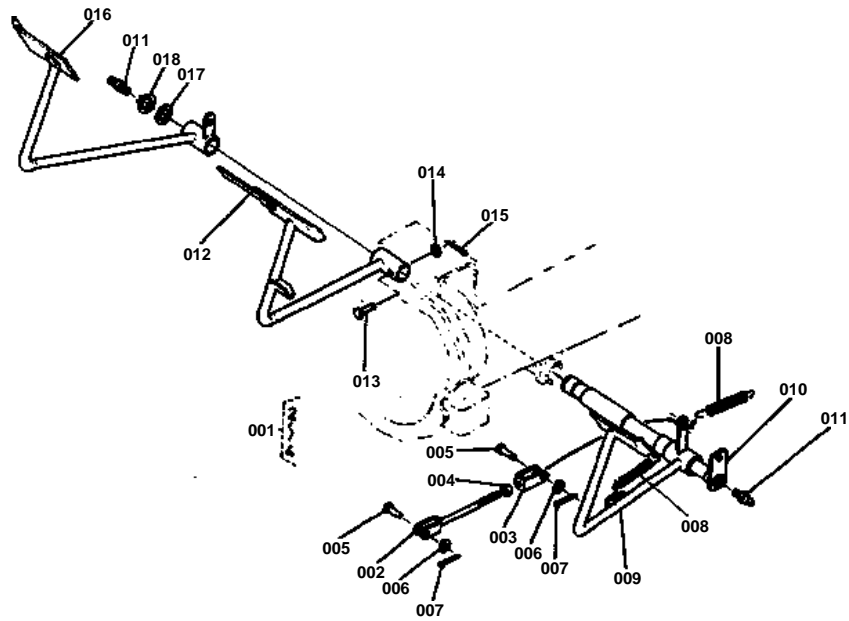


**BRAKE ROD GROUP**

↔ Interchangeable; ≠ not interchangeable; ← new for old; → old for new

REF.No	Part No.	Description	Q'ty	S.No.	I/C	REMARKS	Weight (kgf)	Weight (lb)
001	67401-42800	ASSY ROD,BRAKE	2			REF.No.002 TO 005	0.26	0.572
002	67401-42810	ROD,BRAKE FRONT	2				0.08	0.176
003	66591-42410	TURNBACKLE	2				0.046	0.1012
004	67401-42820	ROD,BRAKE REAR	2				0.135	0.297
005	02112-50080	NUT	4				0.003	0.0066
006	05122-50822	PIN,JOINT	2				0.01	0.022
007	04012-50080	WASHER,PLAIN	2				0.001	0.0022
008	05511-50215	PIN,SPLIT	2				0.001	0.0022
009	66591-43190	SPRING	3				0.044	0.0968
010	67401-42830	LEVER,LOCK	1				0	0
011	67211-42840	SPRING,LOCK	1			0.006	0.0132	
012	02172-50120	NUT	2			0.01	0.022	
013	67211-42860	ASSY ROD,DIFF LOCK	1			REF.No.014 TO 016	0.24	0.528
014	67211-42870	ROD,DIFF LOCK	1				0.17	0.374
015	63753-42350	METAL,MAIN CLUTCH	1				0.038	0.0836
016	02112-50080	NUT	1				0.003	0.0066
017	66591-43170	LEVER,DIFF LOCK	1				0.041	0.0902
018	02118-50100	NUT	1				0.005	0.011
019	04512-50100	WASHER,SPRING	1				0	0
020	05122-50820	PIN,JOINT	1				0.009	0.0198
021	05511-50215	PIN,SPLIT	1				0.001	0.0022
022	04012-50080	WASHER,PLAIN	1				0.001	0.0022
023	67401-42840	GRIP,LEVER	1				0.02	0.044

PEDAL GROUP



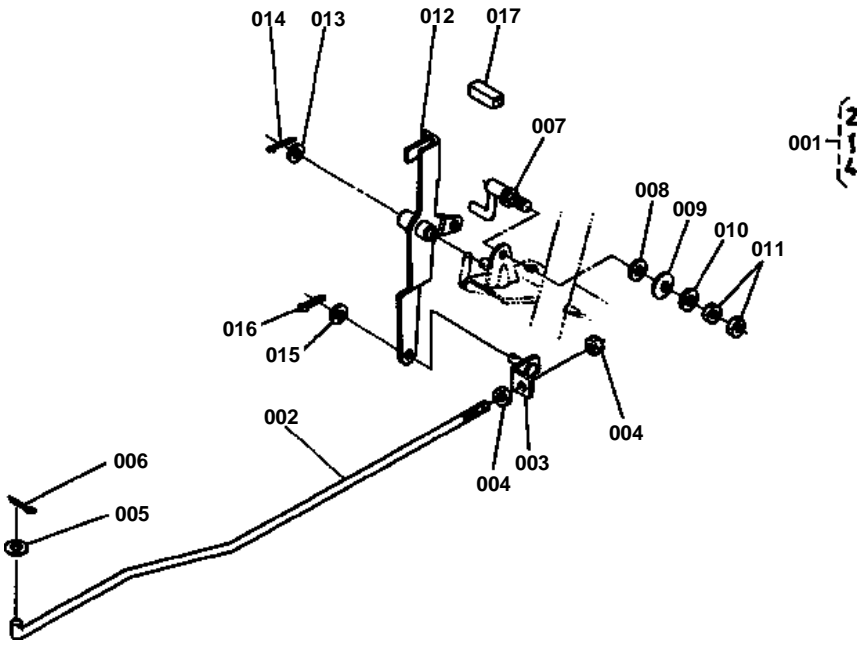


PEDAL GROUP

↔ Interchangeable; ≠ not interchangeable; ← new for old; → old for new

REF.No	Part No.	Description	Q'ty	S.No.	I/C	REMARKS	Weight (kgf)	Weight (lb)
001	67211-42100	ASSY ROD,CLUTCH	1			REF.No.002 TO 004	0.12	0.264
002	67211-42120	ROD	1				0.07	0.154
003	67311-42830	U-JOINT	1				0.05	0.11
004	02112-50080	NUT	1				0.003	0.0066
005	05122-50822	PIN,JOINT	2				0.01	0.022
006	04012-50080	WASHER,PLAIN	2				0.001	0.0022
007	05511-50215	PIN,SPLIT	2				0.001	0.0022
008	66591-43190	SPRING	2				0.044	0.0968
009	67401-42130	PEDAL,CLUTCH	1				1.6	3.52
010	67211-42913	SHAFT,BRAKE PEDAL	1				1.32	2.904
011	06613-10010	NIPPLE,GREASE	2				0.006	0.0132
012	67401-42920	PEDAL,BRAKE LH	1				1.55	3.41
013	05112-50840	PIN,JOINT	1				0.017	0.0374
014	04012-50080	WASHER,PLAIN	1				0.001	0.0022
015	05511-50215	PIN,SPLIT	1				0.001	0.0022
016	67401-42930	PEDAL,BRAKE RH	1				1.6	3.52
017	66591-43233	COLLAR	1				0.004	0.0088
018	04612-00240	CIR-CLIP,EXTERNAL	1				0.002	0.0044

RELEASE LEVER GROUP



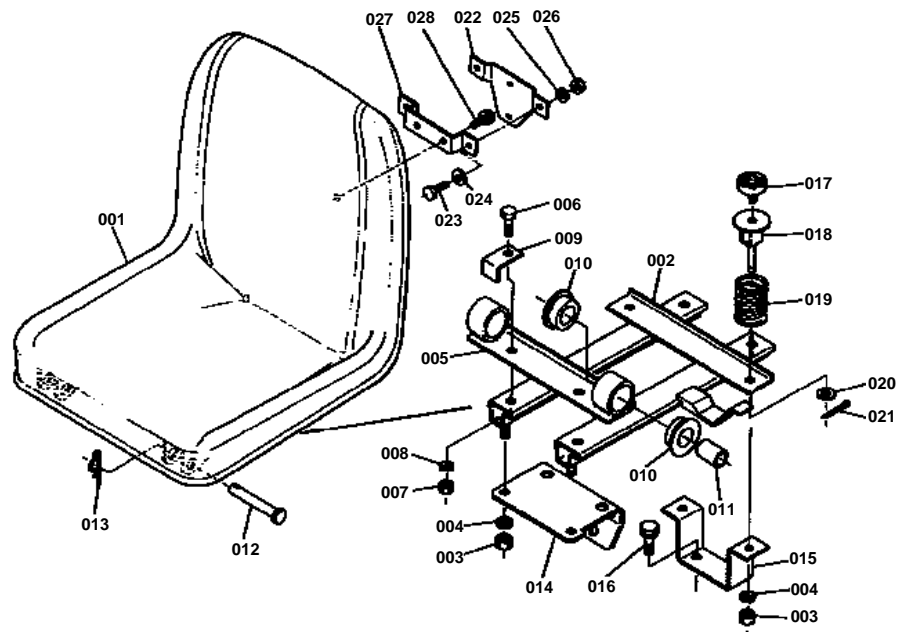


RELEASE LEVER GROUP

↔ Interchangeable; ≠ not interchangeable; ← new for old; → old for new

REF.No	Part No.	Description	Q'ty	S.No.	I/C	REMARKS	Weight (kgf)	Weight (lb)
001	67211-43200	ASSY ROD,RELEASE	1			REF.No.002 TO 004	0.21	0.462
002	67211-43210	ROD,RELEASE	1				0.18	0.396
003	67211-43220	STAY,L	1				0.02	0.044
004	02114-50080	NUT	2				0.005	0.011
005	04013-50060	WASHER,PLAIN	1				0	0
006	05511-50215	PIN,SPLIT	1				0.001	0.0022
007	67401-43320	FULCRUM,R/LEVER	1				0.08	0.176
008	04013-50100	WASHER,PLAIN	1				0	0
009	32210-17190	SPRING	1				0.005	0.011
010	04015-50100	WASHER,PLAIN	1				0.016	0.0352
011	02118-50100	NUT	2				0.005	0.011
012	67401-43330	ARM,RELEASE	1				0	0
013	04011-50100	WASHER,PLAIN	1				0.002	0.0044
014	05511-50320	PIN,SPLIT	1				0.002	0.0044
015	04012-50080	WASHER,PLAIN	1				0.001	0.0022
016	05511-50215	PIN,SPLIT	1				0.001	0.0022
017	67211-43410	CUSHION	1				0.001	0.0022

SEAT GROUP



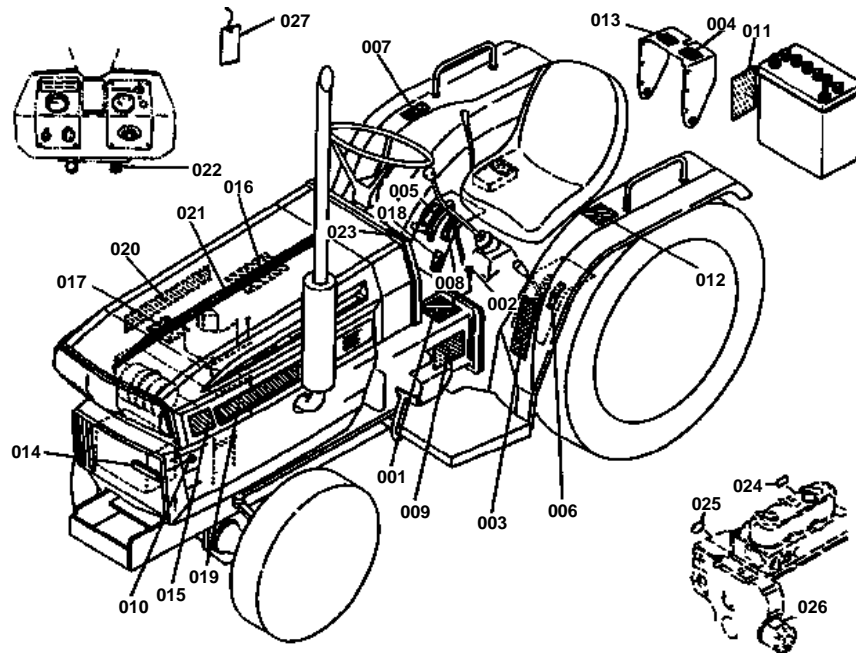


SEAT GROUP

↔ Interchangeable; ≠ not interchangeable; ← new for old; → old for new

REF.No	Part No.	Description	Q'ty	S.No.	I/C	REMARKS	Weight (kgf)	Weight (lb)
001	67401-45900	ASSY SEAT	1				8	17.6
002	66204-45930	SEAT,ADJUSTOR	1				2.1	4.62
003	02118-50100	NUT	4				0.005	0.011
004	04512-50100	WASHER,SPRING	4				0	0
005	66204-45940	SUPPORT,SEAT FRONT	1				0.29	0.638
006	01150-50818	BOLT	2				0	0
007	02114-50080	NUT	2				0.005	0.011
008	04512-50080	WASHER,SPRING	2				0.001	0.0022
009	67401-45940	STOPPER	1				0.03	0.066
010	66591-41540	CUSHION	4				0.01	0.022
011	66591-41550	COLLAR	2				0.02	0.044
012	05122-51045	PIN,JOINT	2				0	0
013	05516-51000	PIN,SNAP	2				0	0
014	67401-45950	BRACKET,FRONT	1				0.69	1.518
015	67401-45960	BRACKET,REAR	1				0.25	0.55
016	01123-50825	BOLT	2				0.013	0.0286
017	32160-18440	CUSHION	2				0.013	0.0286
018	66204-45970	SUPPORT,SPRING	2				0.1	0.22
019	66204-45980	SPRING,SEAT	2				0.1	0.22
020	04012-50080	WASHER,PLAIN	2				0.001	0.0022
021	05511-50215	PIN,SPLIT	2				0.001	0.0022
022	66704-54950	BRACKET,SMV	1	<=62623			0	0
022	66416-54950	BRACKET,SMV	1	>=62624	≠		0	0
022	66704-54952	BRACKET,SMV	1	>=62634	←		0.15	0.33
023	01050-50610	BOLT	2				0	0
024	04013-50060	WASHER,PLAIN	2				0	0
025	04512-50060	WASHER,SPRING	2				0	0
026	02014-50060	NUT	2				0.003	0.0066
027	67401-45920	STAY	1	<=62623			0	0
027	66416-45920	STAY	1	>=62624	≠		0	0
027	67401-45922	STAY	1	>=62634	←		0.08	0.176
028	01123-50820	BOLT	2				0.011	0.0242

NAME PLATE GROUP



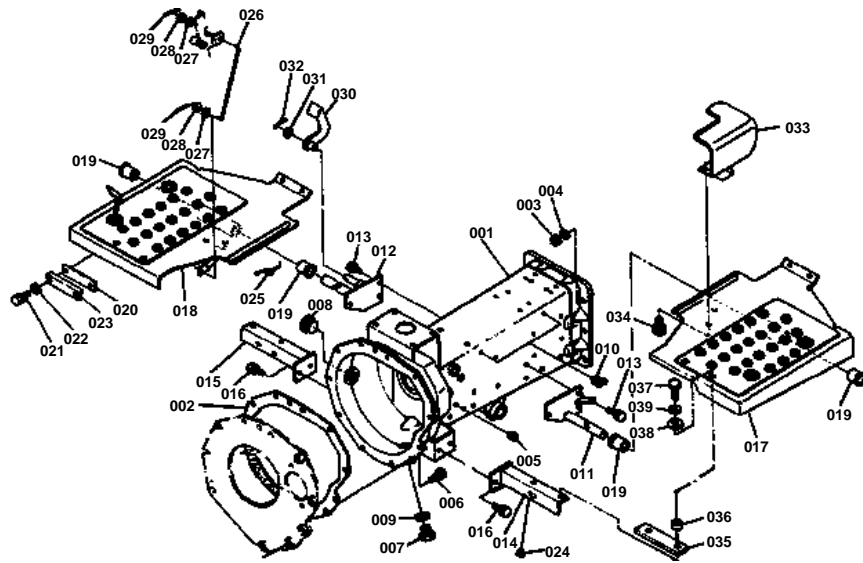


NAME PLATE GROUP

↔ Interchangeable; ≠ not interchangeable; ← new for old; → old for new

REF.No	Part No.	Description	Q'ty	S.No.	I/C	REMARKS	Weight (kgf)	Weight (lb)
001	66706-47110	LABEL,SPEED CHANGE	1				0.02	0.044
002	54102-24410	RIVET	4				0.001	0.0022
003	35260-34910	LABEL,SAFETY	1	<=62633			0	0
003	35260-34913	LABEL,SAFETY	1	>=62634	←		0.005	0.011
004	35200-25340	LABEL,PTO CAUTION	1				0.002	0.0044
005	66706-47120	NAME PLATE 4	1				0.001	0.0022
006	67401-47210	LABEL,PTO S-CHANGE	1				0.002	0.0044
007	66706-47140	NAME PLATE 6	1				0	0
008	66706-47150	NAME PLATE 7	1				0	0
009	67332-47220	NAME PLATE	1				0	0
010	54102-24410	RIVET	4				0.001	0.0022
011	66706-47280	LABEL,BATTERY	1				0.003	0.0066
012	35260-29780	LABEL,ROPS	1				0	0
013	35260-29790	LABEL,DRAWBER	1				0.002	0.0044
014	67401-47230	NAME PLATE,FRONT	1				0.008	0.0176
015	35290-18810	LABEL,4WD	2				0.005	0.011
016	15532-87220	LABEL,CAUTION	1				0.01	0.022
017	67401-47260	LABEL,CAUTION	1				0.002	0.0044
018	67401-47240	LABEL,DIFF LOCK	1				0.002	0.0044
019	67332-54230	LABEL,BONNET LH	1				0.006	0.0132
020	67332-54240	LABEL,BONNET RH	1				0.006	0.0132
021	67800-47450	LABEL,CENTER LINE	1				0.016	0.0352
022	67800-47320	LABEL,ENGINE STOP	1				0.001	0.0022
023	35820-98630	LABEL,START WARNING	1				0	0
024	15232-88210	LABEL,GLOW PLUG	1				0.001	0.0022
025	15372-87230	LABEL,INSTRUCTION	1				0.001	0.0022
026	15372-87210	LABEL,INSTRUCTION	1				0.001	0.0022
027	35217-18370	LABEL,CAUTION	1				0.001	0.0022

CLUTCH HOUSING/STEP GROUP

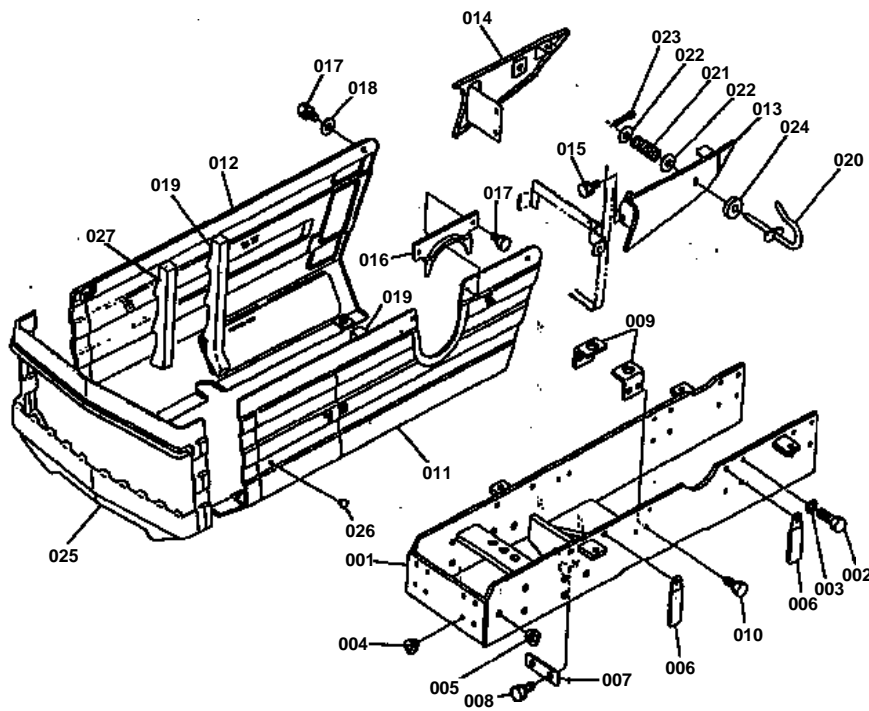


**CLUTCH HOUSING/STEP GROUP**

↔ Interchangeable; ≠ not interchangeable; ← new for old; → old for new

REF.No	Part No.	Description	Q'ty	S.No.	I/C	REMARKS	Weight (kgf)	Weight (lb)
001	67401-51110	HOUSING,CLUTCH	1	<=26623			0	0
001	67401-51116	HOUSING,CLUTCH	1	>=62624	←		16	35.2
002	66621-51410	GASKET	1				0	0
003	02174-50120	NUT	7				0.01	0.022
004	04512-50129	WASHER,SPRING	7				0	0
005	66591-54390	PLUG 3	10				0.001	0.0022
006	01123-50825	BOLT	11				0.013	0.0286
007	06331-35010	PLUG	1				0.012	0.0264
008	66704-51190	CAP	1				0.009	0.0198
009	04717-01000	WASHER,SEAL	1				0.001	0.0022
010	67211-52770	CLIP,WIRE 44	2				0.005	0.011
011	67401-51120	BRACKET,STEP LH	1				0	0
012	67401-51130	BRACKET,STEP RH	1				0	0
013	01123-50818	BOLT	6				0.012	0.0264
014	67401-51140	SUPPORT,STEP LH	1				0.41	0.902
015	67401-51150	SUPPORT,STEP RH	1				0.4	0.88
016	01123-50818	BOLT	4				0.012	0.0264
017	67401-51160	STEP,LH	1	<=26623			0	0
017	67405-51160	STEP,LH	1	>=62624	≠		3	6.6
018	67401-51170	ASSY STEP,RH	1	<=26623			0	0
018	67405-51170	ASSY STEP,RH	1	>=62624	≠		0	0
019	67401-51180	BUSH	4				0.01	0.022
020	67111-51560	PLATE	1				0.025	0.055
021	01123-50818	BOLT	2				0.012	0.0264
022	04013-50080	WASHER,PLAIN	2				0	0
023	67111-51570	PLATE	1				0.025	0.055
024	38240-29870	CUSHION	1				0.004	0.0088
025	67401-51190	SPRING	1				0.006	0.0132
026	67211-51240	ROD	1				0.09	0.198
027	04717-00600	WASHER,SEAL	2				0.001	0.0022
028	04013-50060	WASHER,PLAIN	2				0	0
029	05511-51612	PIN,SPLIT	2				0.001	0.0022
030	67211-51250	PEDAL,DIFF LOCK	1				0.28	0.616
031	04013-50120	WASHER,PLAIN	1				0	0
032	05511-50425	PIN,SPLIT	1				0.003	0.0066
033	67401-82610	COVER	1	<=62623			0.23	0.506
033	67405-82610	COVER	1	>=62624	≠		0.22	0.484
034	01123-50814	BOLT	2				0	0
035	67401-51250	CUSHION	2				0.018	0.0396
036	67401-51260	COLLAR	4				0.005	0.011
037	01050-50825	BOLT	4				0.015	0.033
038	04013-50080	WASHER,PLAIN	4				0	0
039	04512-50080	WASHER,SPRING	4				0.001	0.0022

FRONT AXLE FRAME GROUP



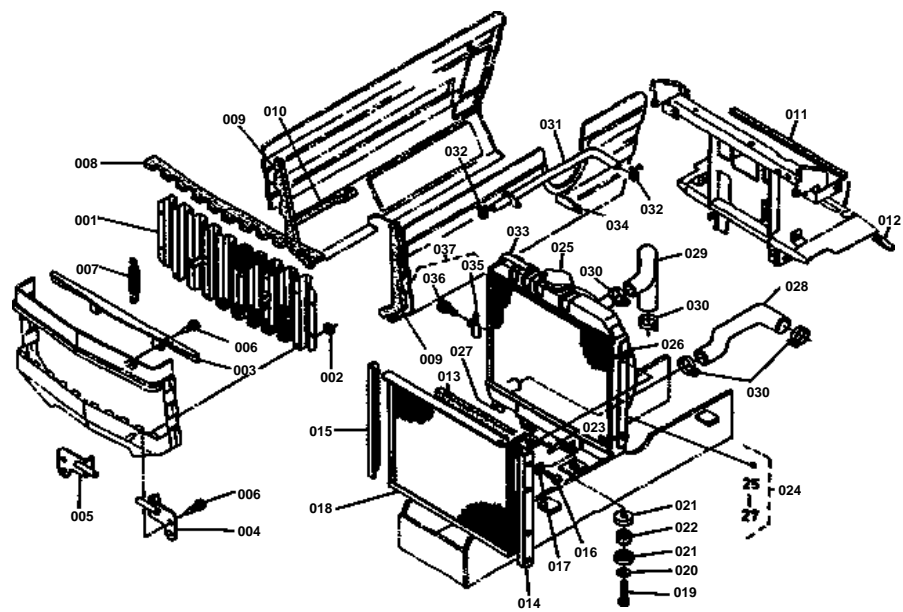


FRONT AXLE FRAME GROUP

↔ Interchangeable; ≠ not interchangeable; ← new for old; → old for new

REF.No	Part No.	Description	Q'ty	S.No.	I/C	REMARKS	Weight (kgf)	Weight (lb)
001	67401-51214	FRAME,FRONT AXLE	1				0	0
002	01173-51025	BOLT	16				0.021	0.0462
003	04512-50100	WASHER,SPRING	16				0	0
004	66591-54390	PLUG 3	4				0.001	0.0022
005	67211-11140	PLUG,M12	6				0.001	0.0022
006	35340-29380	CLAMP,CORD	2				0.01	0.022
007	67401-51220	PLATE,LOCK	1				0.08	0.176
008	01123-50825	BOLT	2				0.013	0.0286
009	67800-51990	SUPPORT,RADIATOR	2				0	0
010	01123-50825	BOLT	4				0.013	0.0286
011	67401-51310	SKIRT,LH	1	<=62623			1.6	3.52
011	67405-51310	SKIRT,LH	1	>=62624	≠		1.3	2.86
012	67401-51320	SKIRT,NH	1	<=62623			1.6	3.52
012	67405-51320	SKIRT,NH	1	>=62624	≠		1.3	2.86
013	67401-51330	AUX.SKIRT,LH	1	<=62623			0.21	0.462
013	67405-51330	AUX.SKIRT,LH	1	>=62624	≠		0.2	0.44
014	67401-51340	AUX.SKIRT,RH	1	<=62623			0.21	0.462
014	67405-51340	AUX.SKIRT,RH	1	>=62624	≠		0.2	0.44
015	01123-50818	BOLT	4				0.012	0.0264
016	67401-51390	COVER	1	<=62623			0.1	0.22
016	66417-51455	COVER	1	>=62624	≠		0.09	0.198
017	01123-50818	BOLT	10				0.012	0.0264
018	04013-50080	WASHER,PLAIN	14				0	0
019	67511-54520	TAPE	3	<=61368			0.004	0.0088
019	67511-54520	TAPE	2	>=61369			0.004	0.0088
020	67401-51350	HOOK,HOOD	2				0.05	0.11
021	67800-54623	SPRING	2				0.005	0.011
022	04013-50060	WASHER,PLAIN	4				0	0
023	05511-52512	PIN,SPLIT	2				0.001	0.0022
024	67211-51360	SUPPORT	2				0.005	0.011
025	67401-51360	SKIRT,FRONT	1	<=62623			0.35	0.77
025	67405-51360	SKIRT,FRONT	1	>=62624	≠		0	0
026	38240-29570	PLUG 8	1				0.001	0.0022
027	67401-51530	TAPE	1	>=61369			0.007	0.0154

RADIATOR GROUP



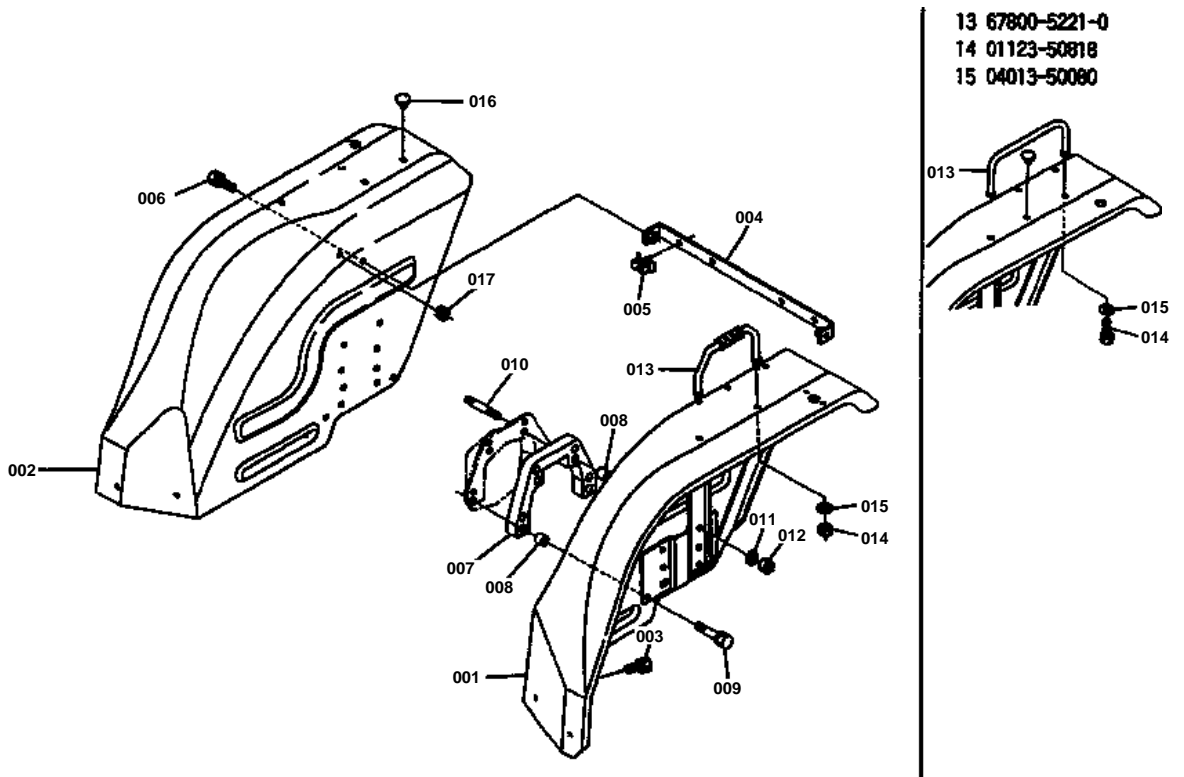


RADIATOR GROUP

↔ Interchangeable; ≠ not interchangeable; ← new for old; → old for new

REF.No	Part No.	Description	Q'ty	S.No.	I/C	REMARKS	Weight (kgf)	Weight (lb)
001	67401-51370	NET,RADIATOR FRONT	1	<=61368			0	0
001	67405-51370	NET,RADIATOR FRONT	1	>=61369	≠		0	0
002	67401-51380	NUT	14				0.002	0.0044
003	67401-51410	HOOK 1	1				0	0
004	67401-51420	HOOK 2 LH	1				0.034	0.0748
005	67401-51510	HOOK 2 RH	1				0.035	0.077
006	03514-50612	SCREW	8				0.002	0.0044
007	67401-51432	SPRING	1				0.03	0.066
008	67401-51440	BLOCK 1	1				0.01	0.022
009	67401-51450	BLOCK 2	2				0.003	0.0066
010	67401-51460	BLOCK 3	2				0.006	0.0132
011	67401-51470	BLOCK 4	1				0.005	0.011
012	67401-51480	BLOCK 5	1				0.001	0.0022
013	67401-51490	BLOCK 6	1				0.018	0.0396
014	67211-51410	SUPPORT,LH	1				0.09	0.198
015	67211-51420	SUPPORT,RH	1				0.09	0.198
016	03004-50612	SCREW	4				0.005	0.011
017	04013-50060	WASHER,PLAIN	4				0	0
018	67111-53520	NET,RADIATOR	1				0.8	1.76
019	67111-58710	BOLT,RADIATOR	2				0.027	0.0594
020	04013-50100	WASHER,PLAIN	2				0	0
021	15111-72200	WASHER	4				0.013	0.0286
022	15111-72180	CUSHION	2				0.015	0.033
023	05515-51000	PIN,SNAP	2				0	0
024	15531-72060	ASSY RADIATOR	1			REF.No.025 TO 027	4.5	9.9
025	15272-72020	CAP,RADIATOR	1				0.071	0.1562
026	15531-74470	SHROUD,FAN	1				0.63	1.386
027	15231-73110	COCK,DRAIN	1				0.006	0.0132
028	15752-72850	PIPE,WATER 1	1				0.04	0.088
029	15752-72940	PIPE,WATER 4	1				0.1	0.22
030	15261-72780	BAND	4				0.024	0.0528
031	15531-73130	PIPE,DRAIN	1				0.05	0.11
032	15109-73360	BAND,PIPE	2				0.01	0.022
033	15221-72710	PIPE,WATER OVER FLOW	1				0.05	0.11
034	15241-67570	CLAMP,CORD	1				0.003	0.0066
035	55411-21792	WHISTLE,STEAM	1	>=61369			0.01	0.022
036	01121-50816	BOLT	1	>=61369			0.013	0.0286
037	67401-88600	KIT,WHISTLE,STEAM	1	>=61369			0	0

FENDER GROUP

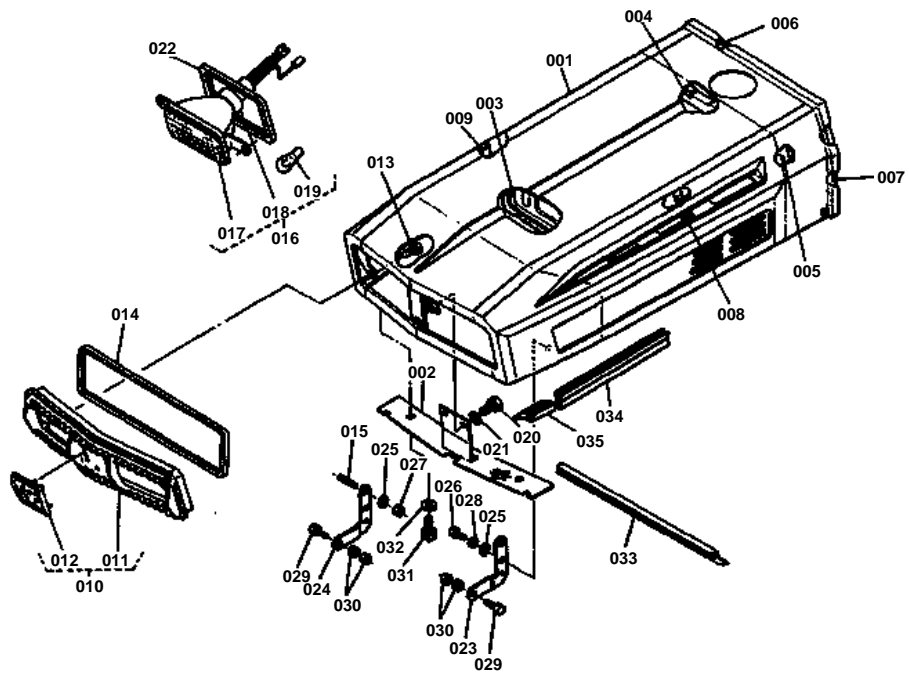


**FENDER GROUP**

↔ Interchangeable; ≠ not interchangeable; ← new for old; → old for new

REF.No	Part No.	Description	Q'ty	S.No.	I/C	REMARKS	Weight (kgf)	Weight (lb)
001	67401-52710	ASSY FENDER,LH	1	<=62623			0	0
001	66417-52712	ASSY FENDER,LH	1	>=62624	≠		0	0
002	67401-52720	ASSY FENDER,RH	1	<=62623			0	0
002	66416-52728	ASSY FENDER,RH	1	>=62624	≠		11	24.2
003	01123-50818	BOLT	4				0.012	0.0264
004	67401-52730	STAY,FENDER	1				0	0
005	67211-52770	CLIP,WIRE 44	4				0.005	0.011
006	01123-50818	BOLT	2				0.012	0.0264
007	67401-52740	SPACER,FENDER	2				0.25	0.55
008	67401-52750	COLLAR,SPACER	8				0.015	0.033
009	01120-50840	BOLT	4				0.018	0.0396
010	01511-50845	STUD	4				0.02	0.044
011	04512-50080	WASHER,SPRING	4				0.001	0.0022
012	02114-50080	NUT	4				0.005	0.011
013	67800-52210	BALUSTRIDE	2	<=62623			0.2	0.44
013	34670-29440	BALUSTRIDE	2	>=62624	≠		0.1	0.22
014	01123-50818	BOLT	4	<=62623			0.012	0.0264
014	02174-50140	NUT	4	>=62624	≠		0.014	0.0308
015	04013-50080	WASHER,PLAIN	4	<=62623			0	0
015	04013-50140	WASHER,PLAIN	4	>=62624	≠		0	0
016	38240-29570	PLUG 8	9				0.001	0.0022
017	32150-29180	CAP,RUBEER	2				0.002	0.0044

HOOD GROUP

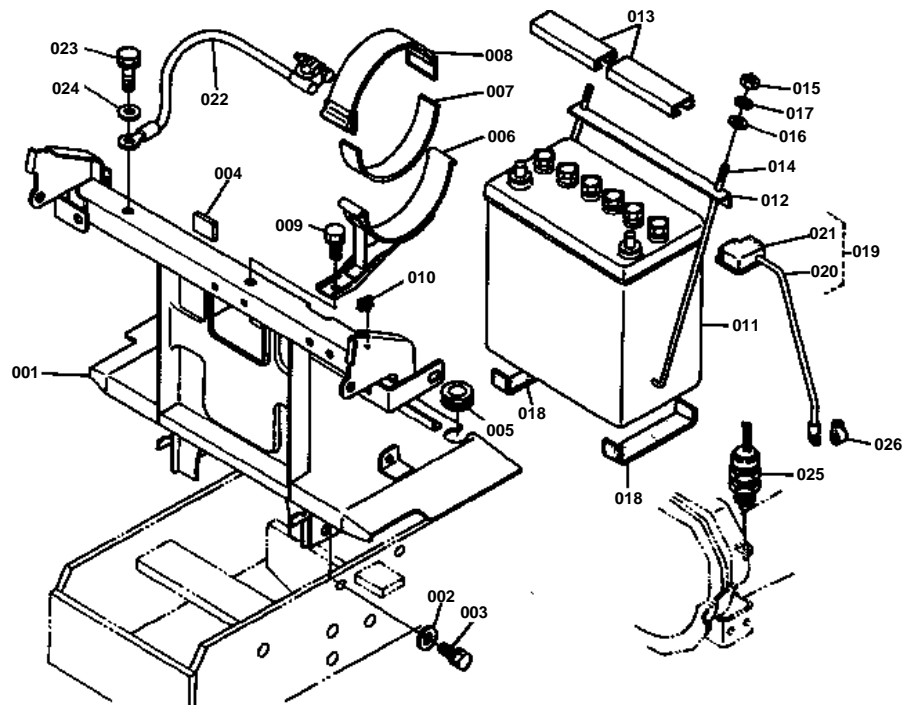


**HOOD GROUP**

↔ Interchangeable; ≠ not interchangeable; ← new for old; → old for new

REF.No	Part No.	Description	Q'ty	S.No.	I/C	REMARKS	Weight (kgf)	Weight (lb)
001	67401-54100	COMP HOOD	1	<=62623			6.8	14.96
001	67405-54100	COMP HOOD	1	>=62624	≠		8.5	18.7
002	67401-54310	NET,DUSTPROOF	1				0.24	0.528
003	67511-54170	TAPE 3	1				0.008	0.0176
004	67211-54120	TAPE,REAR 1	1				0.005	0.011
005	67211-54130	TAPE,REAR 2	2				0.01	0.022
006	67511-54150	TAPE	1				0.01	0.022
007	67511-54160	TAPE	2				0.01	0.022
008	67511-54110	TAPE 1	1				0.01	0.022
009	67511-54120	TAPE	1				0.003	0.0066
010	67401-54200	ASSY GRILLE,LIGHT	1			REF.No.011,012	0.26	0.572
011	99999-99999	BLANK	0			ORDER BY REF.No.010	0	0
012	67111-54240	MASCOT	1				0.02	0.044
013	38240-18230	SCREW	6				0.005	0.011
014	67401-54220	GASKET	1				0.027	0.0594
015	01513-50818	STUD	2				0.009	0.0198
016	67211-55700	ASSY LAMP,HEAD	2			REF.No.017 TO 019	0.2	0.44
017	99999-99999	BLANK	0			ORDER BY REF.No.016	0	0
018	67111-55780	SOCKET	2				0.03	0.066
019	67211-55790	BULB	2				0.02	0.044
020	01020-50614	BOLT	4				0.005	0.011
021	04013-50060	WASHER,PLAIN	4				0	0
022	67401-54250	GASKET,LAMP	2				0.01	0.022
023	67111-54260	HOOK,LH	1				0.1	0.22
024	67111-54270	HOOK,RH	1				0.1	0.22
025	04013-50080	WASHER,PLAIN	4				0	0
026	01123-50818	BOLT	2				0.012	0.0264
027	02114-50080	NUT	2				0.005	0.011
028	04512-50080	WASHER,SPRING	2				0.001	0.0022
029	01173-51025	BOLT	2				0.021	0.0462
030	02118-50100	NUT	4				0.005	0.011
031	01020-50614	BOLT	2				0.005	0.011
032	04013-50060	WASHER,PLAIN	2				0	0
033	67401-54320	RUBBER 1	1				0.06	0.132
034	67401-54330	RUBBER 2	2				0.04	0.088
035	67401-54340	RUBBER 3	2				0.01	0.022

BATTERY GROUP

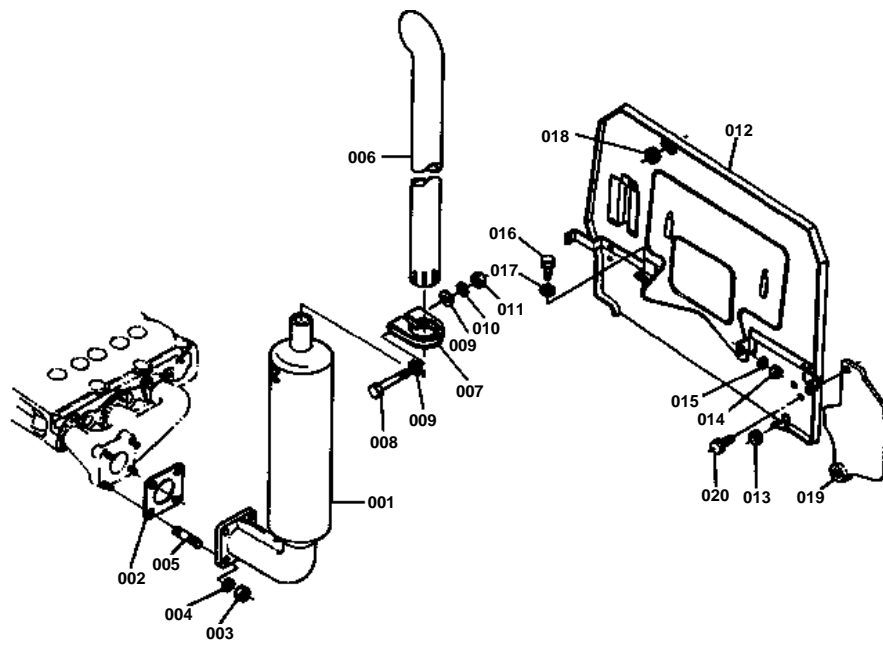


**BATTERY GROUP**

↔ Interchangeable; ≠ not interchangeable; ← new for old; → old for new

REF.No	Part No.	Description	Q'ty	S.No.	I/C	REMARKS	Weight (kgf)	Weight (lb)
001	67401-54264	SUPPORT,BATTERY	1				0	0
002	04013-50100	WASHER,PLAIN	4				0	0
003	01133-51025	BOLT	4				0.023	0.0506
004	67211-54250	GASKET	2				0.006	0.0132
005	67211-54620	RUBBER	1				0.01	0.022
006	67401-54270	SUPPORT,AIR CLEANER	1				0.2	0.44
007	67401-54280	RUBBER	1				0.01	0.022
008	67401-54290	BAND,AIR CLEANER	1				0.06	0.132
009	01123-50818	BOLT	1				0.012	0.0264
010	67211-52770	CLIP,WIRE 44	1				0.005	0.011
011	66704-55430	ASSY BATTERY	1				9.3	20.46
012	66704-54482	RETAINER,BATTERY	1				0.14	0.308
013	67211-55460	COVER,BATTERY	2				0.01	0.022
014	67401-55390	BOLT	2				0.038	0.0836
015	02014-50060	NUT	2				0.003	0.0066
016	04013-50060	WASHER,PLAIN	2				0	0
017	04512-50060	WASHER,SPRING	2				0	0
018	34150-33220	CUSHION	2				0.015	0.033
019	67401-55410	ASSY CORD,BATTERY	1			REF.No.020,021	0.29	0.638
020	67401-55420	CORD,BATTERY	1				0.28	0.616
021	67111-55740	CAP	1				0.01	0.022
022	67401-55440	CORD,BATTERY	1				0.16	0.352
023	01120-51025	BOLT	1				0	0
024	04013-50100	WASHER,PLAIN	1				0	0
025	66204-32240	ASSY SWITCH,SAFETY	1				0	0
026	66591-55190	CAP,TERMINAL	1				0.012	0.0264

MUFFLER AND MUFFLER PIPE GROUP



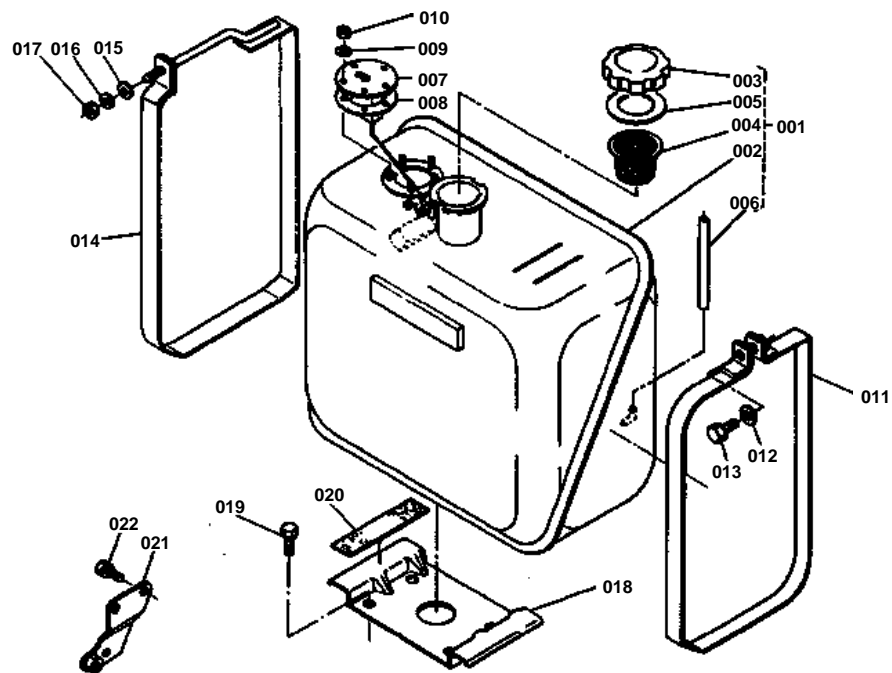


MUFFLER AND MUFFLER PIPE GROUP

↔ Interchangeable; ≠ not interchangeable; ← new for old; → old for new

REF.No	Part No.	Description	Q'ty	S.No.	I/C	REMARKS	Weight (kgf)	Weight (lb)
001	15751-12010	ASSY MUFFLER	1				2.7	5.94
002	15371-12370	GASKET,MUFFLER	1				0	0
003	02156-50080	NUT	4				0.004	0.0088
004	04512-50080	WASHER,SPRING	4				0.001	0.0022
005	01513-50822	STUD	4				0.01	0.022
006	67800-53410	PIPE,MUFFLER	1				0.57	1.254
007	67800-53420	BAND,MUFFLER	1				0.04	0.088
008	01150-50865	BOLT	1				0	0
009	04013-50080	WASHER,PLAIN	2				0	0
010	04512-50080	WASHER,SPRING	1				0.001	0.0022
011	02114-50080	NUT	1				0.005	0.011
012	67211-54610	COVER	1				1.4	3.08
013	67211-54620	RUBBER	1				0.01	0.022
014	02114-50080	NUT	1				0.005	0.011
015	04512-50080	WASHER,SPRING	1				0.001	0.0022
016	01123-50818	BOLT	3				0.012	0.0264
017	04013-50080	WASHER,PLAIN	3				0	0
018	63611-52330	RUBBER	1				0.01	0.022
019	67401-54610	COVER	1				0.16	0.352
020	01123-50818	BOLT	1				0.012	0.0264

FUEL TANK GROUP

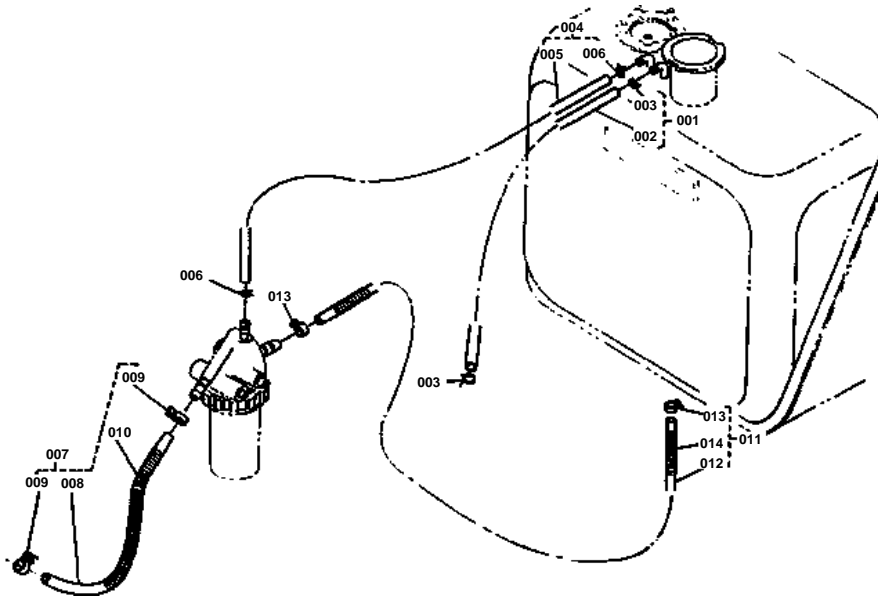


**FUEL TANK GROUP**

↔ Interchangeable; ≠ not interchangeable; ← new for old; → old for new

REF.No	Part No.	Description	Q'ty	S.No.	I/C	REMARKS	Weight (kgf)	Weight (lb)
001	67401-54700	ASSY TANK,FUEL	1			REF.No.002 TO 006 ORDER BY REF.No.001	2.9	6.38
002	99999-99999	BLANK	0				0	0
003	67211-54720	CAP	1				0.07	0.154
004	13251-41060	FILTER	1				0.01	0.022
005	10211-41340	GASKET	1				0.003	0.0066
006	67211-54740	PIPE	1				0.01	0.022
007	67401-54730	UNIT,FUEL	1				0.14	0.308
008	38240-35120	GASKET	1				0	0
009	04013-50050	WASHER,PLAIN	5				0	0
010	02054-50050	NUT	5				0.002	0.0044
011	67211-54750	BAND,TANK FUEL	1				0.27	0.594
012	04013-50080	WASHER,PLAIN	1				0	0
013	01123-50830	BOLT	1				0.015	0.033
014	67401-54780	BAND,TANK FUEL	1				0.3	0.66
015	04013-50080	WASHER,PLAIN	1				0	0
016	04512-50080	WASHER,SPRING	1				0.001	0.0022
017	02112-50080	NUT	1				0.003	0.0066
018	67211-54760	SUPPORT,TANK	1				0.41	0.902
019	01123-50818	BOLT	4				0.012	0.0264
020	67211-54770	CUSHION	2				0.01	0.022
021	67211-54310	SUPPORT,FILTER	1				0.1	0.22
022	01123-50818	BOLT	2				0.012	0.0264

FUEL PIPE GROUP

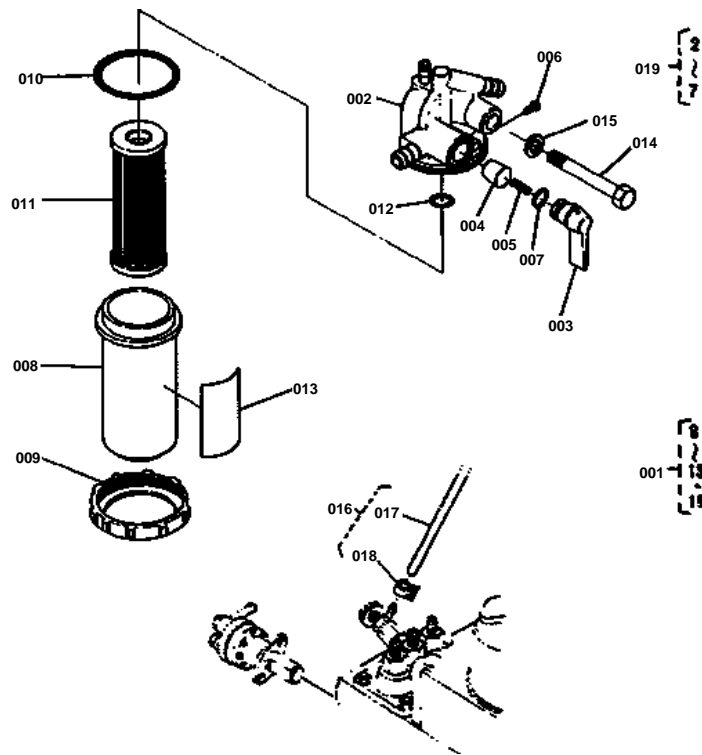


**FUEL PIPE GROUP**

↔ Interchangeable; ≠ not interchangeable; ← new for old; → old for new

REF.No	Part No.	Description	Q'ty	S.No.	I/C	REMARKS	Weight (kgf)	Weight (lb)
001	67211-58300	ASSY PIPE,FUEL OVER2	1			REF.No.002,003	0.02	0.044
002	99999-99999	BLANK	0			ORDER BY REF.No.001	0	0
003	10244-42320	CLIP,PIPE	2				0.001	0.0022
004	67211-58320	ASSY PIPE,FUEL OVER1	1			REF.No.005,006	0	0
005	99999-99999	BLANK	0			ORDER BY REF.No.004	0	0
006	10244-42320	CLIP,PIPE	2				0.001	0.0022
007	67211-58340	ASSY PIPE,FUEL 1	1			REF.No.008 TO 010	0	0
008	99999-99999	BLANK	0			ORDER BY REF.No.007	0	0
009	14301-42750	CLIP,PIPE	2				0.005	0.011
010	67111-58320	SP.PIPE PROTECT 4	1				0.02	0.044
011	67211-58350	ASSY PIPE,FUEL 2	1			REF.No.012 TO 014	0.03	0.066
012	99999-99999	BLANK	0			ORDER BY REF.No.011	0	0
013	14301-42750	CLIP,PIPE	2				0.005	0.011
014	67111-53790	SP.PIPE PROTECT 1	1				0.01	0.022

FUEL FILTER GROUP

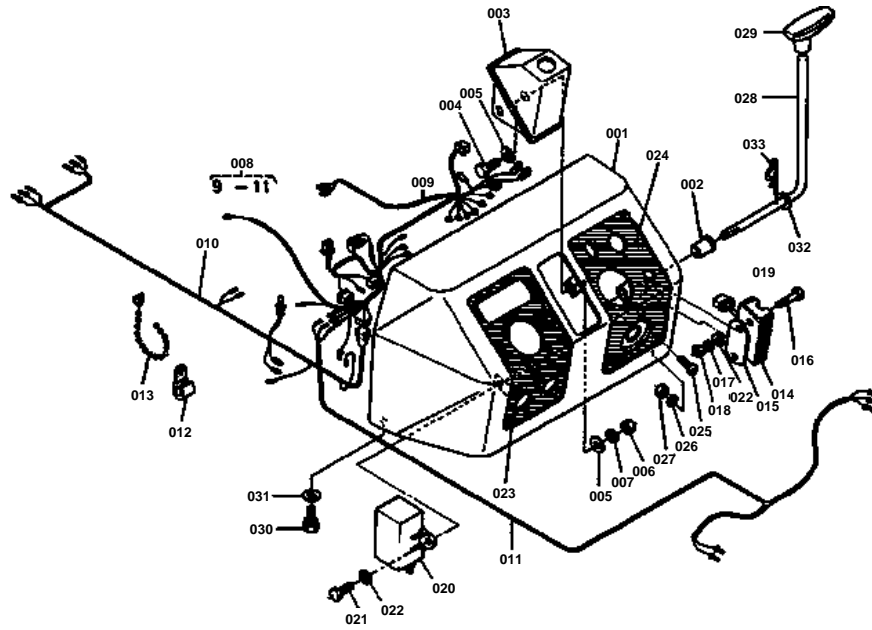


**FUEL FILTER GROUP**

↔ Interchangeable; ≠ not interchangeable; ← new for old; → old for new

REF.No	Part No.	Description	Q'ty	S.No.	I/C	REMARKS	Weight (kgf)	Weight (lb)
001	15751-43010	ASSY FUEL FILTER	1			REF.No.008, TO 013,019	0.41	0.902
002	99999-99999	BLANK	0			ORDER BY REF.No.019	0	0
003	14301-43522	LEVER,COCK	1				0.024	0.0528
004	99999-99999	BLANK	0			ORDER BY REF.No.019	0	0
005	14301-43820	SPRING,VALVE	1				0.001	0.0022
006	14301-43830	SCREW,LEVER	1				0.001	0.0022
007	14301-43840	O RING,LEVER	1				0.001	0.0022
008	15000-34830	CUP,FILTER	1				0	0
009	14301-43590	RETERNING,RING	1				0.054	0.1188
010	14301-43650	O RING,FILTER	1				0.001	0.0022
011	15231-43560	ASSY ELEMENT	1				0.03	0.066
012	04811-00100	O RING,FILTER	1				0.001	0.0022
013	66706-58310	LABEL	1				0.001	0.0022
014	01150-50865	BOLT	1				0	0
015	04512-50080	WASHER,SPRING	1				0.001	0.0022
016	15531-42870	ASSY PIPE,JET-START	1			REF.No.017,018	0.02	0.044
017	99999-99999	BLANK	0			ORDER BY REF.No.016	0	0
018	10244-42320	CLIP,PIPE	1				0.001	0.0022
019	15531-43110	COMP BODY,COCK	1			REF.No.002 TO 007	0.255	0.561

PANEL GROUP



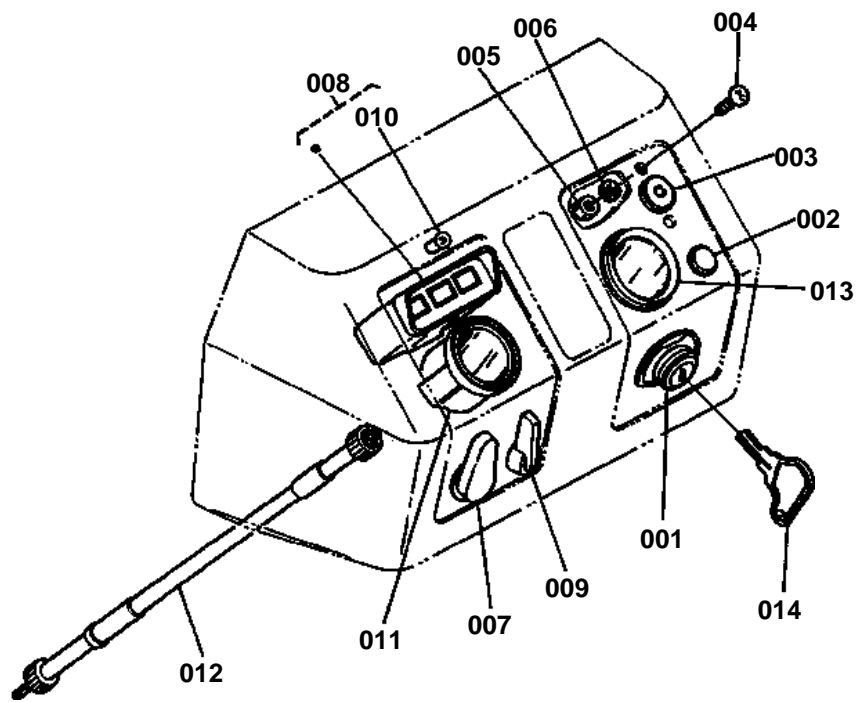


PANEL GROUP

↔ Interchangeable; ≠ not interchangeable; ← new for old; → old for new

REF.No	Part No.	Description	Q'ty	S.No.	I/C	REMARKS	Weight (kgf)	Weight (lb)
001	67401-55110	PANEL	1	<=62623			0	0
001	67405-55110	PANEL	1	>=62624	≠		2.2	4.84
002	67111-54920	BUSH	1				0.01	0.022
003	67211-55160	COVER,STEERING POST	1				0.08	0.176
004	01150-50818	BOLT	2				0	0
005	04013-50080	WASHER,PLAIN	4				0	0
006	02114-50080	NUT	2				0.005	0.011
007	04512-50080	WASHER,SPRING	2				0.001	0.0022
008	67401-55173	ASSY WIRE HARNESS	1			REF.No.009 TO 011	0	0
009	67401-55182	WIRE HARNESS 1	1				0	0
010	67401-55193	WIRE HARNESS 2	1				0	0
011	67401-55210	WIRE HARNESS 3	1				0	0
012	13313-69750	ASSY CLAMP CORD	1				0	0
013	66704-55510	BAND,CORD	2				0.002	0.0044
014	15533-64600	ASSY REGULATOR	1				0.2	0.44
015	66704-55260	CUSHION	1				0.009	0.0198
016	01050-50640	BOLT	2				0	0
017	04512-50060	WASHER,SPRING	2				0	0
018	02014-50060	NUT	2				0.003	0.0066
019	01202-50625	BOLT	1				0.014	0.0308
020	35170-33700	FLASHER,UNIT	1				0.06	0.132
021	01202-50620	BOLT	1				0.007	0.0154
022	04013-50060	WASHER,PLAIN	2				0	0
023	67800-47150	LABEL,LH	1				0.04	0.088
024	67401-55330	LABEL,RH	1				0.058	0.1276
025	03054-50510	SCREW	6				0.003	0.0066
026	04512-50050	WASHER,SPRING	6				0	0
027	02054-50050	NUT	6				0.002	0.0044
028	67401-55320	LEVER,RELEASE	1				0.24	0.528
029	35320-17170	GRIP,LEVER	1				0.018	0.0396
030	01123-50818	BOLT	4				0.012	0.0264
031	04013-50080	WASHER,PLAIN	4				0	0
032	04011-50100	WASHER,PLAIN	1				0.002	0.0044
033	05516-51000	PIN,SNAP	1				0	0

PANEL SWITCH GROUP



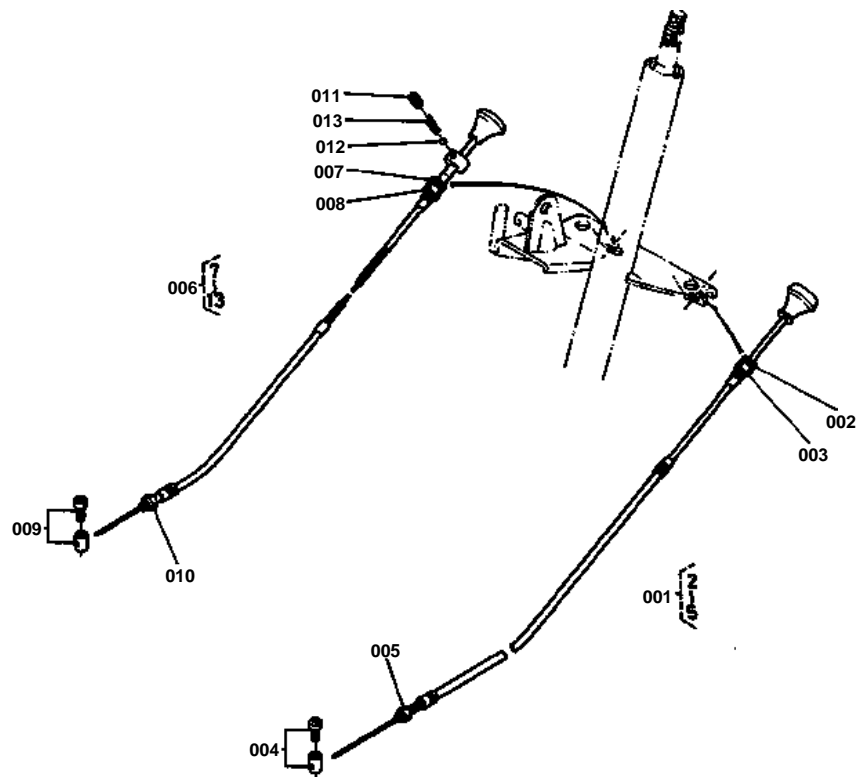


PANEL SWITCH GROUP

↔ Interchangeable; ≠ not interchangeable; ← new for old; → old for new

REF.No	Part No.	Description	Q'ty	S.No.	I/C	REMARKS	Weight (kgf)	Weight (lb)
001	66711-55130	SWITCH,STARTER	1				0.241	0.5302
002	35110-32420	PLUG	1				0.002	0.0044
003	15531-65950	INDICATOR,GLOW PLUG	1				0.05	0.11
004	03054-50512	SCREW	2				0.003	0.0066
005	02054-50050	NUT	2				0.002	0.0044
006	04512-50050	WASHER,SPRING	2				0	0
007	54617-41140	SWITCH,LIGHTING	1				0.08	0.176
008	67111-55450	ASSY MONITOR,OK	1			REF.No.010	0.2	0.44
009	55311-41120	SWITCH,LIGHT	1				0.05	0.11
010	67111-55460	BULB	2				0.005	0.011
011	67401-55310	ASSY METER,HOUR	1				0	0
012	67800-55410	CABLE METER,HOUR	1				0.25	0.55
013	66908-54750	GAUGE,FUEL	1				0.15	0.33
014	66711-55240	KEY	1				0.02	0.044

DECOMPRESS WIRE AND ENGINE STOP WIRE GROUP



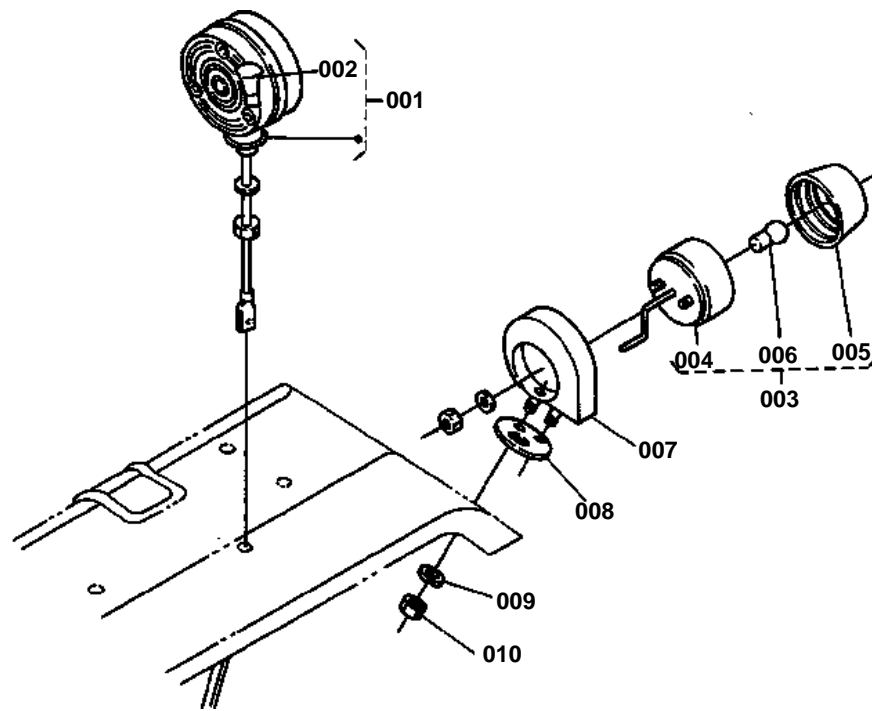


DECOMPRESS WIRE AND ENGINE STOP WIRE GROUP

↔ Interchangeable; ≠ not interchangeable; ← new for old; → old for new

REF.No	Part No.	Description	Q'ty	S.No.	I/C	REMARKS	Weight (kgf)	Weight (lb)
001	67800-53910	WIRE,DECOMPRESS	1			REF.No.002 TO 005	0.095	0.209
002	04512-50100	WASHER,SPRING	1				0	0
003	02118-50100	NUT	1				0.005	0.011
004	67111-53930	ASSY RIVET	1				0.003	0.0066
005	02054-50050	NUT	1				0.002	0.0044
006	67800-53920	WIRE,ENGINE STOP	1			REF.No.007 TO 013	0.12	0.264
007	04512-50100	WASHER,SPRING	1				0	0
008	02118-50100	NUT	1				0.005	0.011
009	67111-53930	ASSY RIVET	1				0.003	0.0066
010	02054-50050	NUT	1				0.002	0.0044
011	67111-53940	SCREW	1				0.003	0.0066
012	07715-01603	BALL	1				0.001	0.0022
013	67111-53950	SPRING	1				0.001	0.0022

FLASHER LAMP GROUP



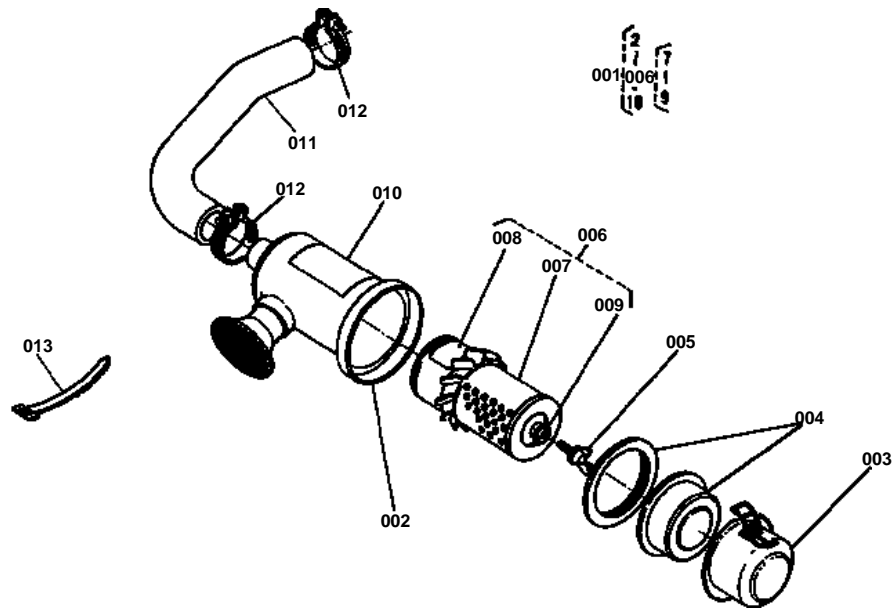


FLASHER LAMP GROUP

↔ Interchangeable; ≠ not interchangeable; ← new for old; → old for new

REF.No	Part No.	Description	Q'ty	S.No.	I/C	REMARKS	Weight (kgf)	Weight (lb)
001	35450-75010	ASSY LAMP,FLASHER	2			REF.No.002	0.3	0.66
002	35450-75022	BULB	2				0.008	0.0176
003	34350-34100	ASSY LAMP,TAIL	2			REF.No.004 TO 006	0.13	0.286
004	99999-99999	BLANK	0			ORDER BY REF.No.003	0	0
005	34350-34120	LENS	2				0.05	0.11
006	34350-34140	BULB	2				0.008	0.0176
007	67800-55540	BRACKET	2	<=62623			0.11	0.242
007	66416-55540	BRACKET	2	>=62624	≠		0.11	0.242
008	67800-55530	RUBBER	2				0.015	0.033
009	04512-50060	WASHER,SPRING	4				0	0
010	02014-50060	NUT	4				0.003	0.0066

AIR CLEANER GROUP

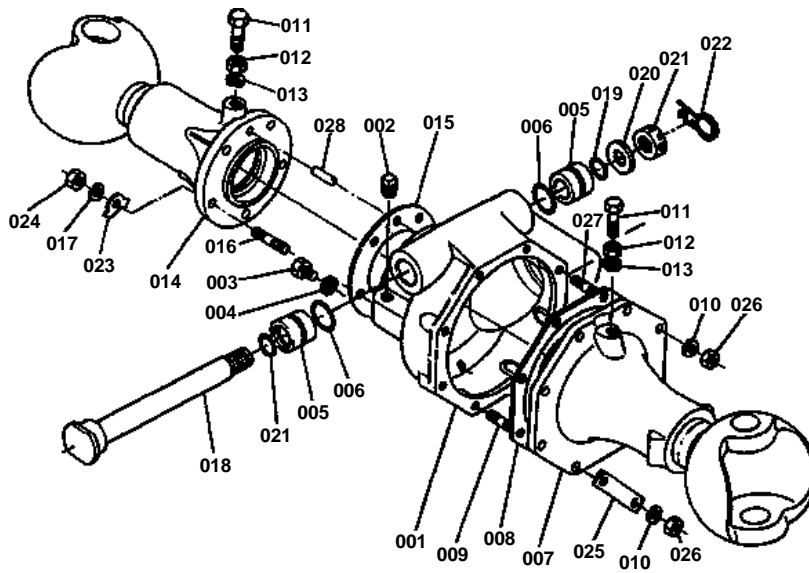


**AIR CLEANER GROUP**

↔ Interchangeable; ≠ not interchangeable; ← new for old; → old for new

REF.No	Part No.	Description	Q'ty	S.No.	I/C	REMARKS	Weight (kgf)	Weight (lb)
001	15751-11010	ASSY AIR CLEANER	1			REF.No.002 TO 006,010	1.4	3.08
002	99999-99999	BLANK	0			ORDER BY REF.No.001	0	0
003	15221-11160	COVER,AIR CLEANER	1				0.2	0.44
004	15221-11410	COVER,BAFFLE	1				0.104	0.2288
005	15221-92620	BOLT,WING	1				0.04	0.088
006	67800-58300	ASSY ELEMENT,A/C	1			REF.No.007 TO 009	0.32	0.704
007	99999-99999	BLANK	0			ORDER BY REF.No.006	0	0
008	15227-87480	LABEL,A/C ELEMENT	1				0.004	0.0088
009	15221-94430	WASHER,SEAL	1				0.004	0.0088
010	15372-87452	LABEL,AIR CLEANER	1				0.001	0.0022
011	15531-11120	PIPE,INLET	1				0.6	1.32
012	15221-11720	BAND,PIPE	2				0.03	0.066
013	36200-77650	BAND,CORD	1				0.002	0.0044

FRONT AXLE CASE GROUP



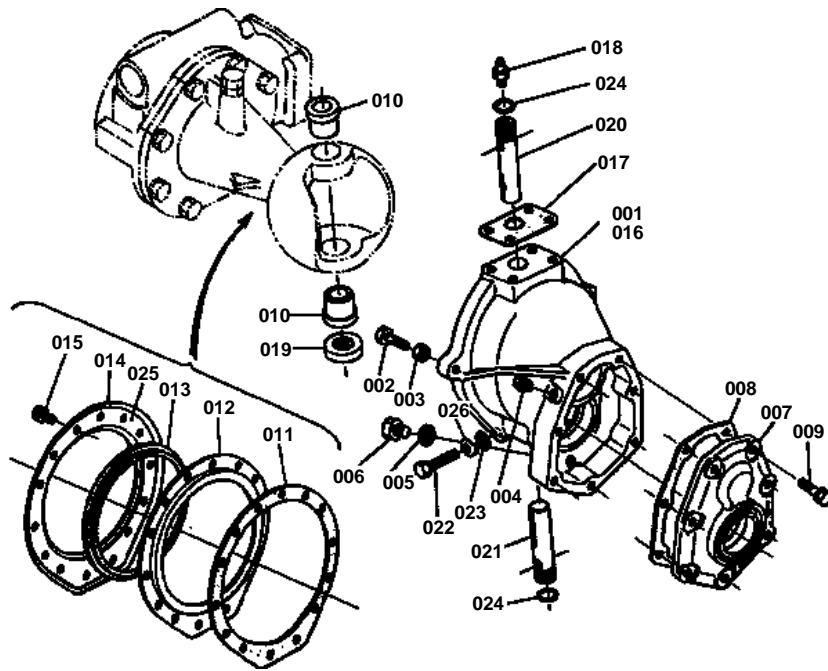


FRONT AXLE CASE GROUP

↔ Interchangeable; ≠ not interchangeable; ← new for old; → old for new

REF.No	Part No.	Description	Q'ty	S.No.	I/C	REMARKS	Weight (kgf)	Weight (lb)
001	66751-56160	CASE,FRONT AXLE 1	1				6.5	14.3
002	06312-10020	PLUG	1				0.015	0.033
003	06331-35010	PLUG	1				0.012	0.0264
004	04717-01000	WASHER,SEAL	1				0.001	0.0022
005	66591-56120	BUSH	2				0.074	0.1628
006	04811-50250	O RING	2				0.001	0.0022
007	66751-56210	CASE,FRONT AXLE LH	1				6.29	13.838
008	66591-56190	GASKET	1				0	0
009	01518-50820	STUD	7				0.012	0.0264
010	04512-50080	WASHER,SPRING	8				0.001	0.0022
011	66591-56280	BOLT	2				0	0
012	02112-50120	NUT	2				0.007	0.0154
013	04512-50120	WASHER,SPRING	2				0.003	0.0066
014	66711-56310	CASE,FRONT AXLE RH	1				5	11
015	66711-56320	GASKET	1				0	0
016	01555-51022	STUD	5				0.021	0.0462
017	04512-50100	WASHER,SPRING	5				0	0
018	66802-56110	PIN,CENTER	1				0.58	1.276
019	04811-00200	O RING	2				0.001	0.0022
020	04011-50180	WASHER,PLAIN	1				0.012	0.0264
021	02372-50180	NUT,SLOTTED	1				0.019	0.0418
022	66611-57150	PIN,SET	1				0.02	0.044
023	66611-56610	WASHER,LOCK	5				0.003	0.0066
024	02176-50100	NUT	5				0.005	0.011
025	66711-56620	PLATE,LOCK	4				0.01	0.022
026	02114-50080	NUT	8				0.005	0.011
027	66711-56220	STUD	1				0.014	0.0308
028	05012-01016	PIN,STRAIGHT	1				0.01	0.022

FRONT WHEEL GEAR CASE GROUP



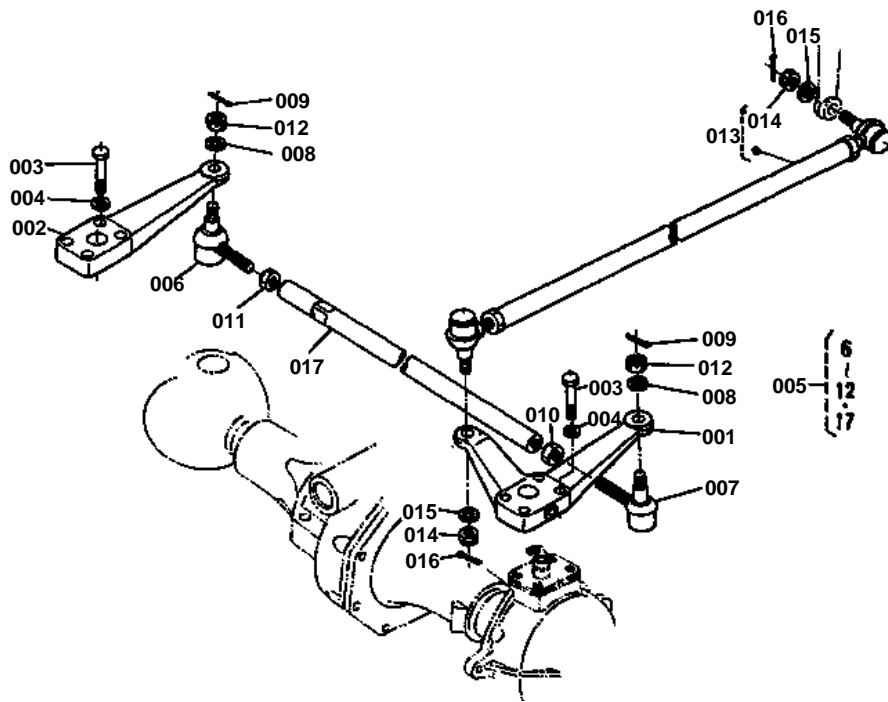


FRONT WHEEL GEAR CASE GROUP

↔ Interchangeable; ≠ not interchangeable; ← new for old; → old for new

REF.No	Part No.	Description	Q'ty	S.No.	I/C	REMARKS	Weight (kgf)	Weight (lb)
001	66711-56410	CASE,GEAR LH	1				4.5	9.9
002	66591-56440	BOLT	2				0.02	0.044
003	02112-50100	NUT	2				0.004	0.0088
004	06312-10020	PLUG	2				0.015	0.033
005	04717-01000	WASHER,SEAL	2				0.001	0.0022
006	06331-35010	PLUG	2				0.012	0.0264
007	66711-56430	COVER,GEAR CASE	2				1.078	2.3716
008	66711-56440	GASKET	2				0	0
009	01123-50828	BOLT	14				0.014	0.0308
010	66711-56470	BUSH,KING PIN	4				0.064	0.1408
011	66711-56560	GASKET,DUST COVER	2				0	0
012	66711-56570	HOLDER,DUST SEAL	2				0.096	0.2112
013	66711-56580	SEAL,DUST	2				0.016	0.0352
014	66711-56590	COVER,DUST	2				0.19	0.418
015	01202-50614	BOLT	28				0.006	0.0132
016	66711-56420	CASE,GEAR RH	1				5.2	11.44
017	66711-56480	GASKET,KNUCKLE ARM	2				0	0
018	06613-20010	NIPPLE,GREASE	2				0.01	0.022
019	08400-00010	BEARING,THRUST BALL	2				0.046	0.1012
020	66711-56450	PIN,KING UPPER	2				0.15	0.33
021	66711-56460	PIN,KING UNDER	2				0.151	0.3322
022	01173-51035	BOLT	4				0.025	0.055
023	04717-01000	WASHER	4				0.001	0.0022
024	04811-10180	O RING	4				0.001	0.0022
025	66711-56490	GASKET	2				0.011	0.0242
026	66611-56610	WASHER	4				0.003	0.0066

KNUCKLE ARM GROUP



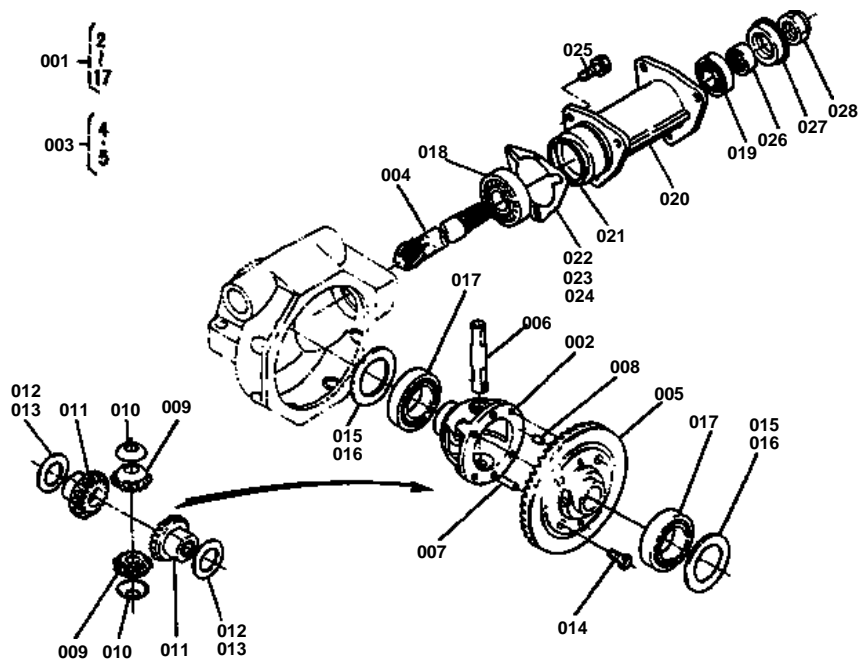


KNUCKLE ARM GROUP

↔ Interchangeable; ≠ not interchangeable; ← new for old; → old for new

REF.No	Part No.	Description	Q'ty	S.No.	I/C	REMARKS	Weight (kgf)	Weight (lb)
001	67301-56510	ARM,KNUCKLE LH	1				1.4	3.08
002	67301-56520	ARM,KNUCKLE RH	1				1.1	2.42
003	01153-51035	BOLT	8				0.025	0.055
004	04512-50100	WASHER,SPRING	8				0	0
005	67491-56500	ASSY ROD,TIE	1			REF.No.006 TO 012,017	1.08	2.376
006	67121-56520	END,TIE ROD LH	1				0.24	0.528
007	67121-56530	END,TIE ROD RH	1				0.23	0.506
008	04512-50100	WASHER,SPRING	2				0	0
009	05511-52520	PIN,SPLIT	2				0.001	0.0022
010	67121-56540	NUT,LEFT	1				0.007	0.0154
011	02172-50120	NUT	1				0.01	0.022
012	66591-56780	NUT,SLOTTED	2				0.01	0.022
013	67401-56900	ASSY LINK,DRAG	1			REF.No.014	2.3	5.06
014	66591-56780	NUT,SLOTTED	2				0.01	0.022
015	04512-50100	WASHER,SPRING	2				0	0
016	05511-52528	PIN,SPLIT	2				0.001	0.0022
017	99999-99999	BLANK	0			ORDER BY REF.No.005	0	0

FRONT DIFFERENTIAL GROUP



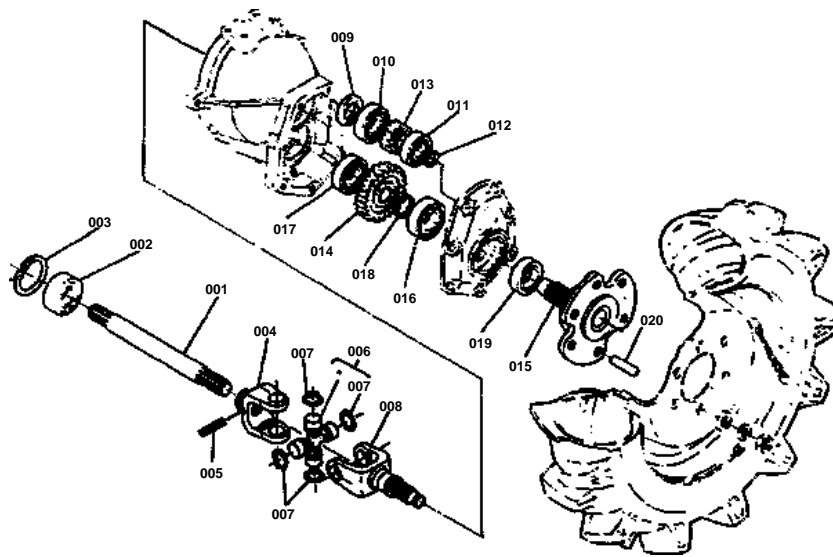


FRONT DIFFERENTIAL GROUP

↔ Interchangeable; ≠ not interchangeable; ← new for old; → old for new

REF.No	Part No.	Description	Q'ty	S.No.	I/C	REMARKS	Weight (kgf)	Weight (lb)
001	67301-82900	ASSY DIFF,FRONT AXLE	1			REF.No.002 TO 017	4.3	9.46
002	66711-56712	CASE,DIFFERENTIAL	1				0.81	1.782
003	67301-82800	ASSY BEVEL GEAR 6-37	1			REF.No.004,005	2.3	5.06
004	99999-99999	BLANK	0			ORDER BY REF.No.003	0	0
005	99999-99999	BLANK	0			ORDER BY REF.No.003	0	0
006	66591-14833	SHAFT,DIFF PINION	1				0.1	0.22
007	66591-14783	PIN,STRAIGHT	1				0.01	0.022
008	66591-14792	PIN,KNOCK	1				0.003	0.0066
009	66591-14840	GEAR,DIFF PINION	2				0.082	0.1804
010	66591-14850	COLLAR,THRUST	2				0.006	0.0132
011	66591-14870	GEAR,DIFF SIDE	2				0.18	0.396
012	66591-14880	SHIM 1	1				0.008	0.0176
013	66591-14890	SHIM 2	1				0.01	0.022
014	67810-56680	UBS BOLT	4				0.013	0.0286
015	66591-14920	SHIM,DIFF SIDE 1	1				0.006	0.0132
016	66591-14930	SHIM,DIFF SIDE 2	1				0.002	0.0044
017	08101-06008	BEARING,BALL	2				0.19	0.418
018	08711-30305	BEARING,BALL	1				0.266	0.5852
019	08711-32005	BEARING,BALL	1				0.115	0.253
020	67401-56630	SPACER	1				2.4	5.28
021	04811-50550	O RING	1				0.002	0.0044
022	67401-56640	SHIM 1	2			0.5MM	0.007	0.0154
023	67401-56650	SHIM 2	2			0.3MM	0.005	0.011
024	67401-56660	SHIM 3	2			0.2MM	0.004	0.0088
025	01123-50828	BOLT	3				0.014	0.0308
026	66591-56420	BUSH	1				0.021	0.0462
027	67211-14952	SEAL,OIL	1				0.015	0.033
028	31220-22340	NUT 22	1				0.033	0.0726

FRONT WHEEL HUB GROUP



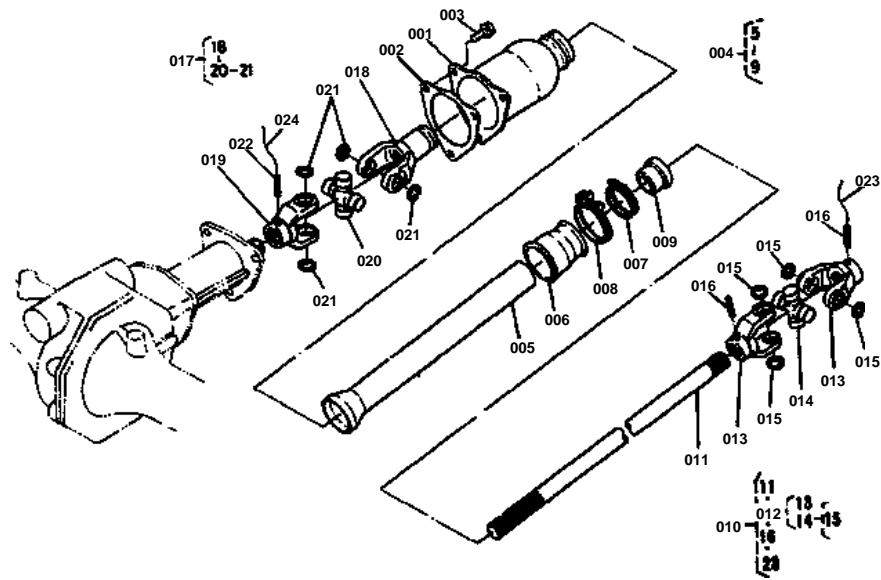


FRONT WHEEL HUB GROUP

↔ Interchangeable; ≠ not interchangeable; ← new for old; → old for new

REF.No	Part No.	Description	Q'ty	S.No.	I/C	REMARKS	Weight (kgf)	Weight (lb)
001	66591-56510	SHAFT	2				0.56	1.232
002	09400-21528	SEAL,OIL	2				0.019	0.0418
003	04611-00520	CIR-CLIP,INTERNAL	2				0.009	0.0198
004	66711-56920	JOINT	2				0.428	0.9416
005	05411-00635	PIN,SPRING	2				0.005	0.011
006	66716-31160	ASSY JOINT,UNIVERSAL	2			REF.No.007	0.32	0.704
007	66716-31170	CIR-CLIP,EXTERNAL	8				0.002	0.0044
008	66711-56930	SHAFT,JOINT	2				0.618	1.3596
009	09230-25405	SEAL,OIL	2				0.001	0.0022
010	08101-06204	BEARING,BALL	2				0.102	0.2244
011	08101-06303	BEARING,BALL	2				0.112	0.2464
012	04612-00170	CIR-CLIP,EXTERNAL	2				0.001	0.0022
013	66704-56950	GEAR,SPUR 12	2				0.162	0.3564
014	66704-56960	GEAR,SPUR 25	2				0.58	1.276
015	67301-56550	HUB,FRONT WHEEL	2				1.46	3.212
016	08101-06206	BEARING,BALL	2				0.196	0.4312
017	08101-06205	BEARING,BALL	2				0.14	0.308
018	04612-00290	CIR-CLIP,EXTERNAL	2				0.003	0.0066
019	63733-17150	SEAL,OIL	2				0.04	0.088
020	66758-56970	STUD	12	≤61509			0.03	0.066
020	66591-56564	STUD	12	≥61510	←		0.028	0.0616

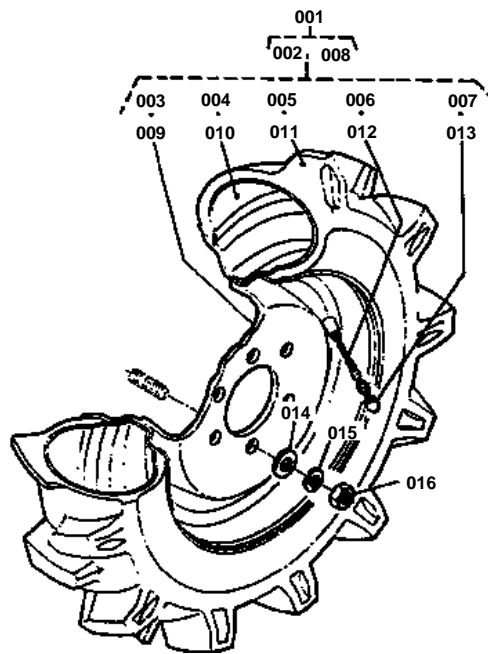
DRIVE SHAFT GROUP



**DRIVE SHAFT GROUP**

↔ Interchangeable; ≠ not interchangeable; ← new for old; → old for new

REF.No	Part No.	Description	Q'ty	S.No.	I/C	REMARKS	Weight (kgf)	Weight (lb)
001	67221-57110	CASE,JOINT	1				0.56	1.232
002	66591-57220	GASKET	1				0	0
003	01123-50822	BOLT	3				0.012	0.0264
004	67221-57100	ASSY PIPE 2	1			REF.No.005 TO 009	0	0
005	66591-57164	PIPE 2	1				0.429	0.9438
006	66591-57170	PIPE 3	1				0.046	0.1012
007	15108-72870	BAND	1				0.027	0.0594
008	66591-57190	BAND 3	1				0.029	0.0638
009	67121-57150	SEAL,OIL	1				0.018	0.0396
010	67321-57200	ASSY SHAFT,DRIVER	1			REF.No.011,012,016 AND 023	2	4.4
011	66611-57210	SHAFT,DRIVER	1				2	4.4
012	67121-57230	ASSY JOINT,REAR	1			REF.No.013,014	0.7	1.54
013	66591-56410	JOINT 1	2				0.252	0.5544
014	66591-56320	ASSY JOINT, UNIVERSAL	1			REF.No.015	0.185	0.407
015	04611-00200	CIR-CLIP,INTERNAL	4				0.001	0.0022
016	05411-00628	PIN,SPRING	2				0.004	0.0088
017	67121-57250	ASSY JOINT,FRONT	1			REF.No.018 TO 020	0.77	1.694
018	66591-56340	JOINT 2	1				0.338	0.7436
019	66591-56410	JOINT 1	1				0.252	0.5544
020	66591-56320	ASSY JOINT, UNIVERSAL	1			REF.No.021	0.185	0.407
021	04611-00200	CIR-CLIP,INTERNAL	4				0.001	0.0022
022	05411-00628	PIN,SPRING	1				0.004	0.0088

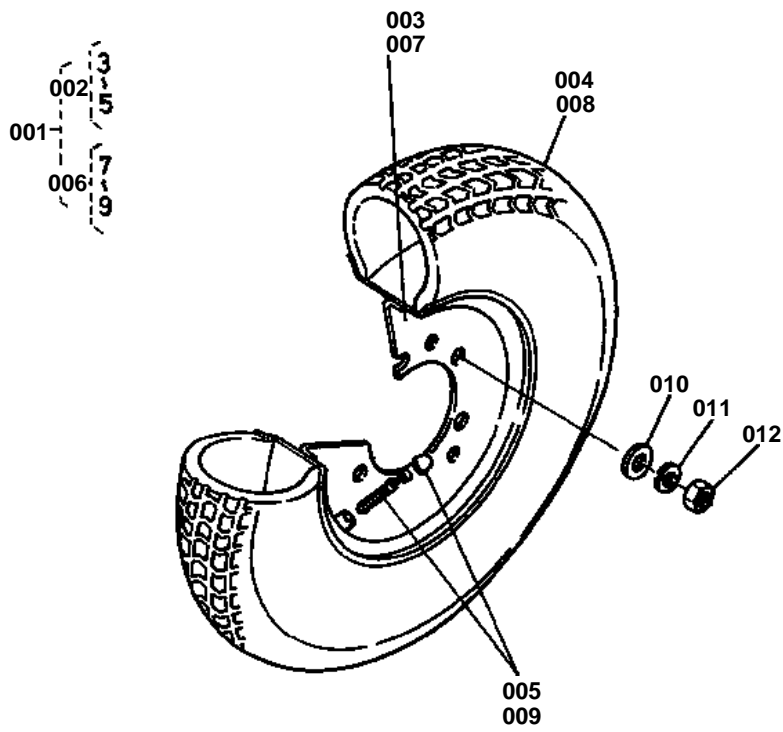




FRONT WHEEL GROUP (5-12) [B5200D-P]

↔ Interchangeable; ≠ not interchangeable; ← new for old; → old for new

REF.No	Part No.	Description	Q'ty	S.No.	I/C	REMARKS	Weight (kgf)	Weight (lb)
001	96015-00310	ASSY FRONT WHEEL	1	≤62623		REF.No.002,008	0	0
001	66414-57400	ASSY FRONT WHEEL	1	≥62624	≠	REF.No.002,008	0	0
002	96015-03070	ASSY TIRE,5-12 LH	1	≤62623		REF.No.003 TO 007	0	0
002	66414-57410	ASSY TIRE,5-12 LH	1	≥62624	≠	REF.No.003 TO 007	0	0
003	96015-03710	WHEEL	1	≤62623			5.2	11.44
003	66414-57420	WHEEL	1	≥62624	≠		5.3	11.66
004	93015-01120	TUBE	1				0.6	1.32
005	96015-03130	TIRE,5-12	1				5	11
006	32150-27740	CORE,VALVE	1				0.003	0.0066
007	38240-11690	CAP,VALVE	1				0.001	0.0022
008	96015-03700	ASSY TIRE,5-12 RH	1	≤62623		REF.No.009 TO 013	0	0
008	66414-57440	ASSY TIRE,5-12 RH	1	≥62624	≠	REF.No.009 TO 013	0	0
009	96015-03710	WHEEL	1	≤62623			5.2	11.44
009	66414-57420	WHEEL	1	≥62624	≠		5.3	11.66
010	93015-01120	TUBE	1				0.6	1.32
011	96015-03130	TIRE,5-12	1				5	11
012	32150-27740	CORE,VALVE	1				0.003	0.0066
013	38240-11690	CAP,VALVE	1				0.001	0.0022
014	04013-50120	WASHER,PLAIN	12				0	0
015	04512-50120	WASHER,SPRING	12				0.003	0.0066
016	02174-50120	NUT	12				0.01	0.022



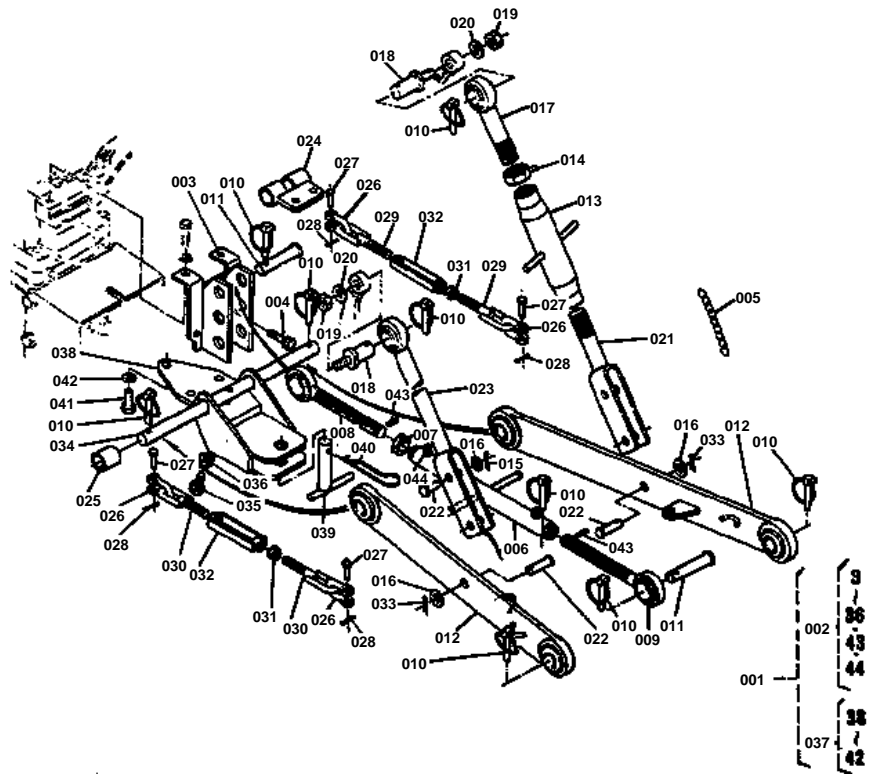


FRONT WHEEL GROUP (20.5 X 8.00-10) [B5200D-PT]

↔ Interchangeable; ≠ not interchangeable; ← new for old; → old for new

REF.No	Part No.	Description	Q'ty	S.No.	I/C	REMARKS	Weight (kgf)	Weight (lb)
001	96018-40410	ASSY FRONT WHEEL	1	≤62623		REF.No.002,006	22.2	48.84
001	66416-57600	ASSY FRONT WHEEL	1	≥62624	≠	REF.No.002,006	11	24.2
002	96018-44010	ASSY TIRE,LH	1	≤62623		REF.No.003 TO 005	11.2	24.64
002	66416-57610	ASSY TIRE,LH	1	≥62624	≠	REF.No.003 TO 005	11	24.2
003	96018-44110	WHEEL	1	≤62623			4.6	10.12
003	66416-57620	WHEEL	1	≥62624	≠		5	11
004	96018-41130	TIRE	1				6.6	14.52
005	34159-11850	VALVE,TIRE	1				0.013	0.0286
006	96018-44100	ASSY TIRE,RH	1	≤62623		REF.No.007 TO 009	14	30.8
006	66416-57640	ASSY TIRE,RH	1	≥62624	≠	REF.No.007 TO 009	11	24.2
007	96018-44110	WHEEL	1	≤62623			4.6	10.12
007	66416-57620	WHEEL	1	≥62624	≠		5	11
008	96018-41130	TIRE	1				6.6	14.52
009	34159-11850	VALVE,TIRE	1				0.013	0.0286
010	04013-50120	WASHER,PLAIN	12				0	0
011	04512-50120	WASHER,SPRING	12				0.003	0.0066
012	02174-50120	NUT	12				0.01	0.022

3-POINT LINKAGE GROUP



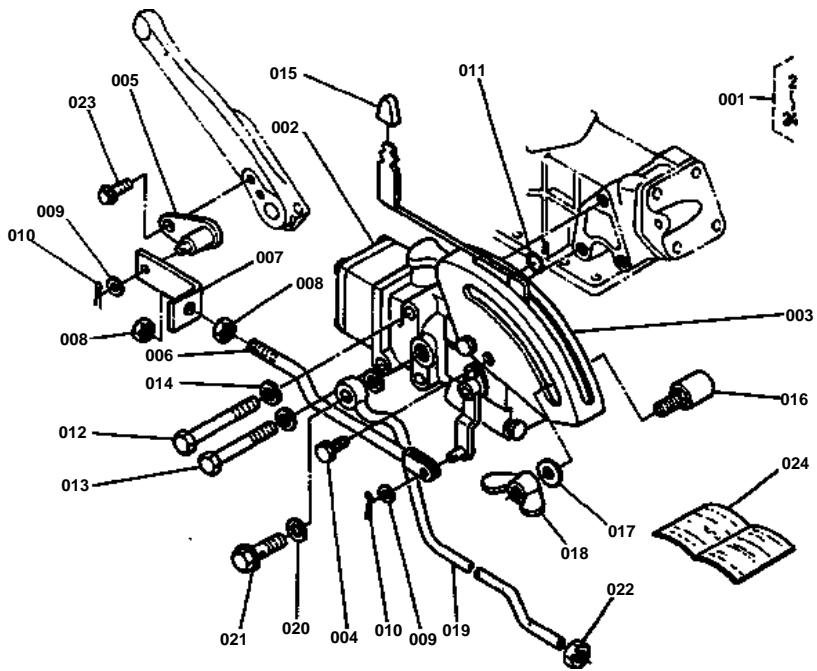


3-POINT LINKAGE GROUP

↔ Interchangeable; ≠ not interchangeable; ← new for old; → old for new

REF.No	Part No.	Description	Q'ty	S.No.	I/C	REMARKS	Weight (kgf)	Weight (lb)
001	67401-65100	ASSY 3-P.LINK.HIT.1	1			REF.No.002,037	26	57.2
002	67401-65200	ASSY LINK,3-P.LINK	1			REF.No.003 TO 036,043 AND 044	23.7	52.14
003	96316-06110	BRACKET, TOP LINK	1				1.22	2.684
004	01123-51230	BOLT	2				0.04	0.088
005	66616-34550	CHAIN	1				0.66	1.452
006	66706-65332	LINK, TOP	1				1	2.2
007	66706-65340	NUT, TOP LINK	1				0.05	0.11
008	66706-65352	JOINT, TOP LINK LH	1				0.73	1.606
009	66706-65362	JOINT, TOP LINK RH	1				0.77	1.694
010	34150-37640	PIN, SET	9				0.06	0.132
011	31150-71360	PIN, JOINT	2				0.166	0.3652
012	67401-65210	ASSY LINK, LOWER	2				0	0
013	67401-65250	ROD, LIFT MIDDLE	1				0.44	0.968
014	02172-50180	NUT	1				0.021	0.0462
015	05511-50425	PIN, SPLIT	1				0.003	0.0066
016	04013-50120	WASHER, PLAIN	3				0	0
017	67401-65230	ROD, LIFT UPPER RH	1				0.53	1.166
018	96316-18250	PIN, LIFT	2				0	0
019	02174-50120	NUT	2				0.01	0.022
020	04512-50120	WASHER, SPRING	2				0.003	0.0066
021	67401-65240	ROD, LIFT LOWER RH	1				0.5	1.1
022	05122-51240	PIN, JOINT	3				0.039	0.0858
023	67401-65270	ROD, LIFT LH	1				1.34	2.948
024	67401-65290	BRACKET	1				0.63	1.386
025	66204-65350	SPACER	2				0.12	0.264
026	67401-65370	JOINT, CHAIN	4				0.1	0.22
027	66706-65380	PIN	4				0.021	0.0462
028	05511-50318	PIN, SPLIT	4				0.001	0.0022
029	66706-65310	BOLT, TURNBACKLE RH	2				0.153	0.3366
030	66706-65320	BOLT, TURNBACKLE LH	2				0.153	0.3366
031	02112-50120	NUT	2				0.007	0.0154
032	96316-05580	TURNBACKLE	2				0.14	0.308
033	66713-34340	PIN, SNAP	2				0.013	0.0286
034	66704-86110	PIN, LOWER LINK	1				1.19	2.618
035	66204-65120	BOLT, SET	1				0.055	0.121
036	02174-50140	NUT	1				0.014	0.0308
037	66204-65500	ASSY HITCH	1			REF.No.038 TO 042	0	0
038	66204-65600	HITCH	1				0	0
039	66204-65610	PIN, HITCH	1				0	0
040	31150-29730	PIN, SPRING	1				0.044	0.0968
041	01153-51235	BOLT	3				0.039	0.0858
042	04512-50120	WASHER, SPRING	3				0.003	0.0066
043	05411-00422	PIN, SPRING	2				0.001	0.0022
044	67211-42940	NIPPLE, GREASE	2				0.001	0.0022

POSITION CONTROL VALVE (OPTION)



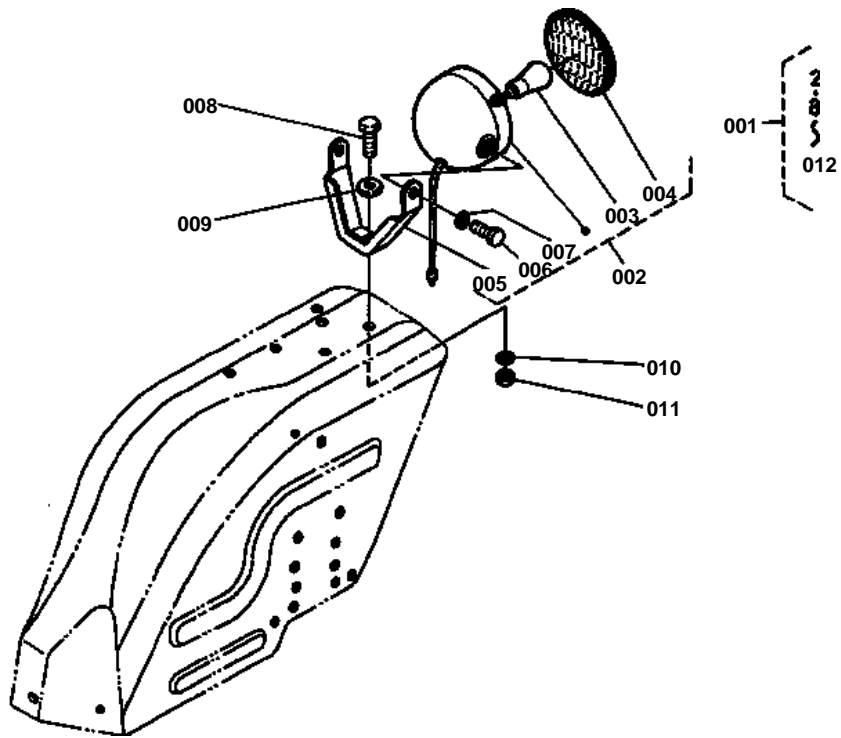


POSITION CONTROL VALVE (OPTION)

↔ Interchangeable; ≠ not interchangeable; ← new for old; → old for new

REF.No	Part No.	Description	Q'ty	S.No.	I/C	REMARKS	Weight (kgf)	Weight (lb)
001	67491-83600	KIT VALVE, P-CONTROL	1			REF.No.002 TO 024	0	0
002	67401-36200	ASSY VALVE, CONTROL	1			REFER TO L.No.0E04-L0 FOR COMPONENTS.	5	11
003	67401-36250	GUIDE,LEVER	1				0	0
004	01123-50820	BOLT	2				0.011	0.0242
005	67401-36220	METAL, FEEDBACK 1	1				0.11	0.242
006	67401-36230	ROD,FEEDBACK 1	1				0.07	0.154
007	67401-36240	ROD,FEEDBACK 2	1				0.025	0.055
008	02112-50080	NUT	2				0.003	0.0066
009	04012-50080	WASHER,PLAIN	2				0.001	0.0022
010	05511-50218	PIN,SPLIT	2				0.001	0.0022
011	04811-00120	O RING	2				0.001	0.0022
012	01053-50890	BOLT	2				0.03	0.066
013	01050-50800	BOLT	1				0	0
014	04512-50800	WASHER,SPRING	3				0.002	0.0044
015	66611-43240	GRIP,LEVER	1				0.018	0.0396
016	67401-36260	STOPPER,LEVER	2				0.06	0.132
017	04013-50100	WASHER,PLAIN	2				0	0
018	02870-50100	NUT	2				0.015	0.033
019	67401-36130	PIPE,DELIVERY	1				2.39	5.258
020	67111-37180	GASKET	2				0.003	0.0066
021	54203-36150	JOINT	1				0.079	0.1738
022	67491-83610	ASSY NUT,CAP	1				0.03	0.066
023	01123-50822	BOLT	2				0.012	0.0264
024	67491-83620	MANUAL, CONSTRUCT.	1				0.001	0.0022

WORKING LIGHT (OPTION)

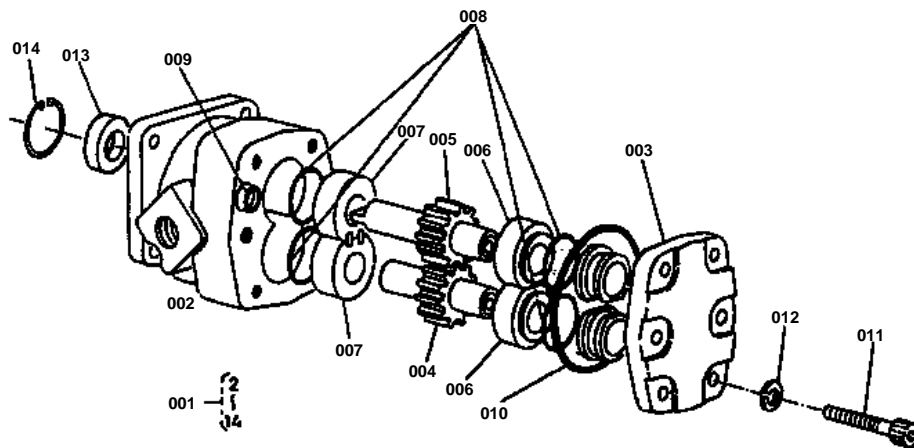


**WORKING LIGHT (OPTION)**

↔ Interchangeable; ≠ not interchangeable; ← new for old; → old for new

REF.No	Part No.	Description	Q'ty	S.No.	I/C	REMARKS	Weight (kgf)	Weight (lb)
001	67401-85500	KIT LIGHT,WORKING	1			REF.No.002,008 TO 012	0	0
002	35861-75900	ASSY LIGHT,WORKING	1			REF.No.003 TO 007	0.9	1.98
003	68331-53360	BULB	1				0.015	0.033
004	68331-53310	LENS	1				0.15	0.33
005	35861-75910	STAY,LIGHT	1				0.25	0.55
006	01153-50820	BOLT	2				0.012	0.0264
007	04512-50080	WASHER,SPRING	2				0.001	0.0022
008	01150-50818	BOLT	1				0	0
009	04013-50080	WASHER,PLAIN	1				0	0
010	04512-50080	WASHER,SPRING	1				0.001	0.0022
011	02114-50080	NUT	1				0.005	0.011
012	67401-85510	MANUAL,CONSTRUCT.	1			NOT SHOWING IN FIG.	0.001	0.0022

GEAR PUMP [SECTION PARTS]



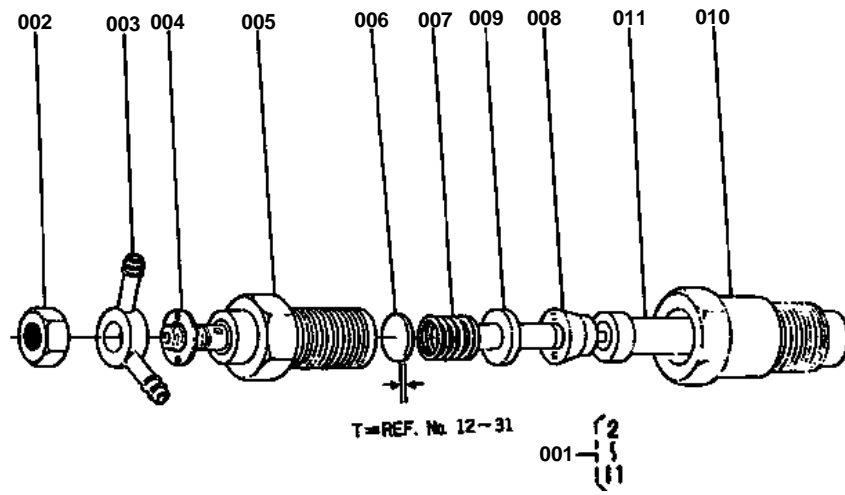


GEAR PUMP [SECTION PARTS]

↔ Interchangeable; ≠ not interchangeable; ← new for old; → old for new

REF.No	Part No.	Description	Q'ty	S.No.	I/C	REMARKS	Weight (kgf)	Weight (lb)
001	67111-76100	ASSY GEAR PUMP	1			REF.No.002 TO 014	0	0
002	99999-99999	BLANK	0			ORDER BY REF.No.001	0	0
003	99999-99999	BLANK	0			ORDER BY REF.No.001	0	0
004	99999-99999	BLANK	0			ORDER BY REF.No.001	0	0
005	99999-99999	BLANK	0			ORDER BY REF.No.001	0	0
006	99999-99999	BLANK	0			ORDER BY REF.No.001	0	0
007	99999-99999	BLANK	0			ORDER BY REF.No.001	0	0
008	04810-00220	O RING	4				0.001	0.0022
009	04810-00050	O RING	1				0.001	0.0022
010	04810-50500	O RING	1				0.005	0.011
011	67211-76240	BOLT	6				0.014	0.0308
012	04512-50080	WASHER,SPRING	6				0.001	0.0022
013	67211-76190	SEAL,OIL	1				0	0
014	04611-00280	CIR-CLIP,INTERNAL	1				0.002	0.0044

NOZZLE HOLDER [SECTION PARTS]



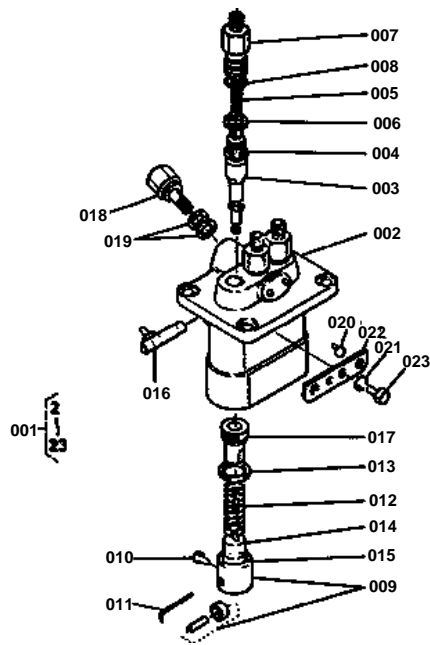


NOZZLE HOLDER [SECTION PARTS]

↔ Interchangeable; ≠ not interchangeable; ← new for old; → old for new

REF.No	Part No.	Description	Q'ty	S.No.	I/C	REMARKS	Weight (kgf)	Weight (lb)
001	15271-53020	ASSY HOLDER,NOZZLE	3			REF.No.002 TO 011	0.26	0.572
002	15221-92020	NUT	3				0.011	0.0242
003	15221-95690	JOINT,EYE 2	3				0.022	0.0484
004	15221-94020	WASHER,PLAIN	3				0.002	0.0044
005	99999-99999	BLANK	0			ORDER BY REF.No.001	0	0
006	99999-99999	BLANK	0			ORDER BY REF.No.12 TO 031	0	0
007	15221-53170	SPRING,NOZZLE	3				0.01	0.022
008	15221-53350	PIECE,DISTANCE	3				0.016	0.0352
009	15221-53160	ROD,PUSH	3				0.003	0.0066
010	15221-53280	NUT,NOZZLE	3				0.068	0.1496
011	15021-53610	PIECE,NOZZLE	3				0	0
012	15221-98110	WASHER,ADJUSTING	3			THICKNESS=1.00	0.001	0.0022
013	15221-98120	WASHER,ADJUSTING	3			THICKNESS=1.05	0.001	0.0022
014	15221-98130	WASHER,ADJUSTING	3			THICKNESS=1.10	0.001	0.0022
015	15221-98140	WASHER,ADJUSTING	3			THICKNESS=1.15	0.001	0.0022
016	15221-98150	WASHER,ADJUSTING	3			THICKNESS=1.20	0.001	0.0022
017	15221-98160	WASHER,ADJUSTING	3			THICKNESS=1.25	0.001	0.0022
018	15221-98170	WASHER,ADJUSTING	3			THICKNESS=1.30	0.001	0.0022
019	15221-98180	WASHER,ADJUSTING	3			THICKNESS=1.35	0.001	0.0022
020	15221-98190	WASHER,ADJUSTING	3			THICKNESS=1.40	0.002	0.0044
021	15221-98200	WASHER,ADJUSTING	3			THICKNESS=1.45	0.001	0.0022
022	15221-98210	WASHER,ADJUSTING	3			THICKNESS=1.50	0.001	0.0022
023	15221-98220	WASHER,ADJUSTING	3			THICKNESS=1.55	0.003	0.0066
024	15221-98230	WASHER,ADJUSTING	3			THICKNESS=1.60	0.003	0.0066
025	15221-98240	WASHER,ADJUSTING	3			THICKNESS=1.65	0.002	0.0044
026	15221-98250	WASHER,ADJUSTING	3			THICKNESS=1.70	0.002	0.0044
027	15221-98260	WASHER,ADJUSTING	3			THICKNESS=1.75	0.002	0.0044
028	15221-98270	WASHER,ADJUSTING	3			THICKNESS=1.80	0.002	0.0044
029	15221-98280	WASHER,ADJUSTING	3			THICKNESS=1.85	0.002	0.0044
030	15221-98290	WASHER,ADJUSTING	3			THICKNESS=1.90	0.002	0.0044
031	15221-98300	WASHER,ADJUSTING	3			THICKNESS=1.95	0.003	0.0066
032	15221-98100	ASSY WASHER, ADJUST.	3			REF.No.012 TO 031	0.03	0.066

INJECTION PUMP [SECTION PARTS]

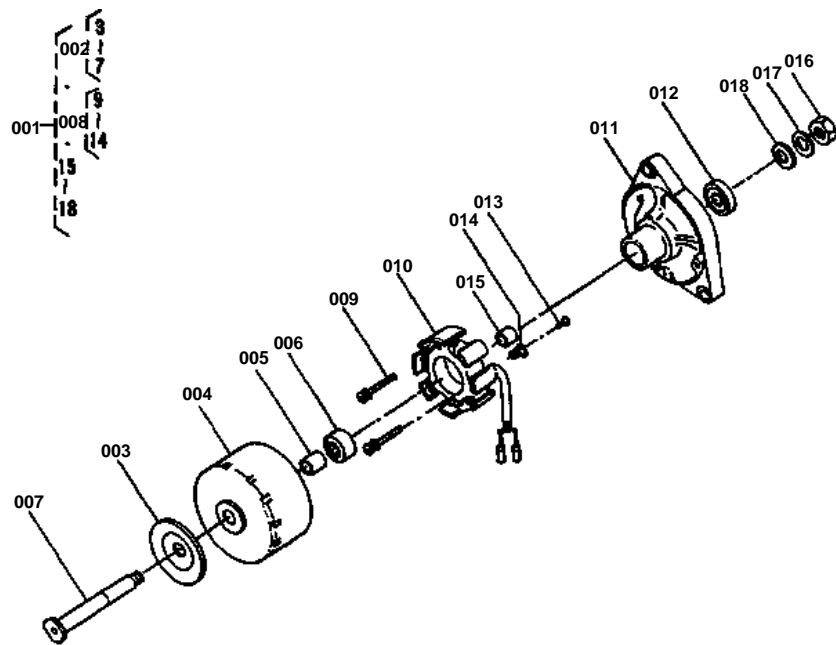


**INJECTION PUMP [SECTION PARTS]**

↔ Interchangeable; ≠ not interchangeable; ← new for old; → old for new

REF.No	Part No.	Description	Q'ty	S.No.	I/C	REMARKS	Weight (kgf)	Weight (lb)
001	15531-51010	ASSY PUMP,INJECTION	1			REF.No.002 TO 023 ORDER BY REF.No.001	2.1	4.62
002	99999-99999	BLANK	0				0	0
003	15261-51050	ELEMENT,PUMP	3				0.04	0.088
004	15261-51030	VALVE,DELIVERY	3				0.011	0.0242
005	15331-51230	SPRING,DERIV.VALVE	3				0.001	0.0022
006	15331-51240	GASKET,DELIV.VALVE	3				0.001	0.0022
007	15331-51220	HOLDER,DELIV.VALVE	3				0.053	0.1166
008	15331-96760	O RING	3				0.001	0.0022
009	15331-51070	ASSY TAPPET	3				0.036	0.0792
010	15331-51250	PIN,TAPPET GUIDE	3				0.001	0.0022
011	15331-51430	PIN,CLAMP	1				0.001	0.0022
012	15331-51280	SPRING,PLUNGER	3				0	0
013	15331-51270	SEAT,SPRING UPPER	3				0.001	0.0022
014	15331-51290	SEAT,SPRING UNDER	3				0.001	0.0022
015	15381-51490	SHIM	1				0.008	0.0176
016	15331-51062	RACK,CONTROL	1				0.04	0.088
017	15331-51380	SLEEVE,CONTROL	3				0.012	0.0264
018	15331-51320	SCREW	1				0.03	0.066
019	15331-96650	PACKING	2				0.001	0.0022
020	15331-51480	COLLAR	2				0.005	0.011
021	15381-94090	WASHER,SPRING	2				0.002	0.0044
022	15381-51390	PLATE,ADJUSTING	1				0.008	0.0176
023	15331-91010	BOLT	2				0.034	0.0748

DYNAMO [SECTION PARTS]

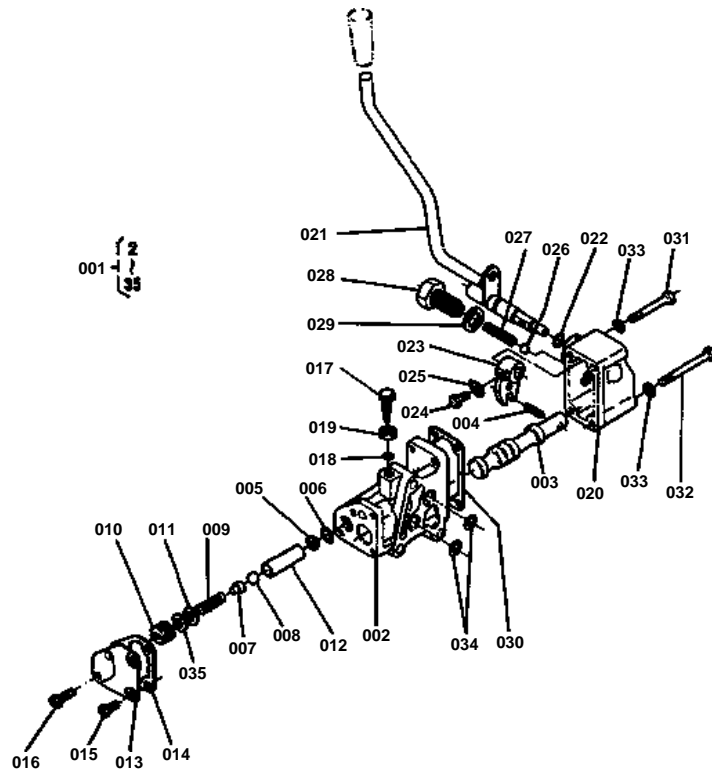


**DYNAMO [SECTION PARTS]**

↔ Interchangeable; ≠ not interchangeable; ← new for old; → old for new

REF.No	Part No.	Description	Q'ty	S.No.	I/C	REMARKS	Weight (kgf)	Weight (lb)
001	15531-64013	ASSY DYNAMO	1			REF.No.002,008 AND 015 TO 018	0	0
002	15531-64122	COMP ROTOR	1			REF.No.003 TO 007	0.76	1.672
003	15531-64110	PULLEY	1				0.15	0.33
004	15531-64040	ROTOR	1				0.5	1.1
005	15261-64140	COLLAR	1				0.025	0.055
006	15531-74180	BEARING,BALL	1				0.04	0.088
007	15531-74140	SHAFT,FAN	1				0.075	0.165
008	15531-64363	COMP STATOR	1			REF.No.009 TO 014	0.555	1.221
009	15261-93010	SCREW,ROUND HEAD	2				0.003	0.0066
010	15531-64292	STATOR	1				0.29	0.638
011	15531-64072	PLATE	1				0.3	0.66
012	15531-74180	BEARING,BALL	1				0.04	0.088
013	15531-93010	SCREW,ROUND HEAD	1				0.002	0.0044
014	15531-64190	CLAMP,CORD	1				0.005	0.011
015	15261-64150	COLLAR	1				0.02	0.044
016	15261-92030	NUT	1				0.01	0.022
017	15261-94070	WASHER,SPRING	1				0.003	0.0066
018	15261-94020	WASHER,PLAIN	1				0.007	0.0154

CONTROL VALVE [SECTION PARTS]



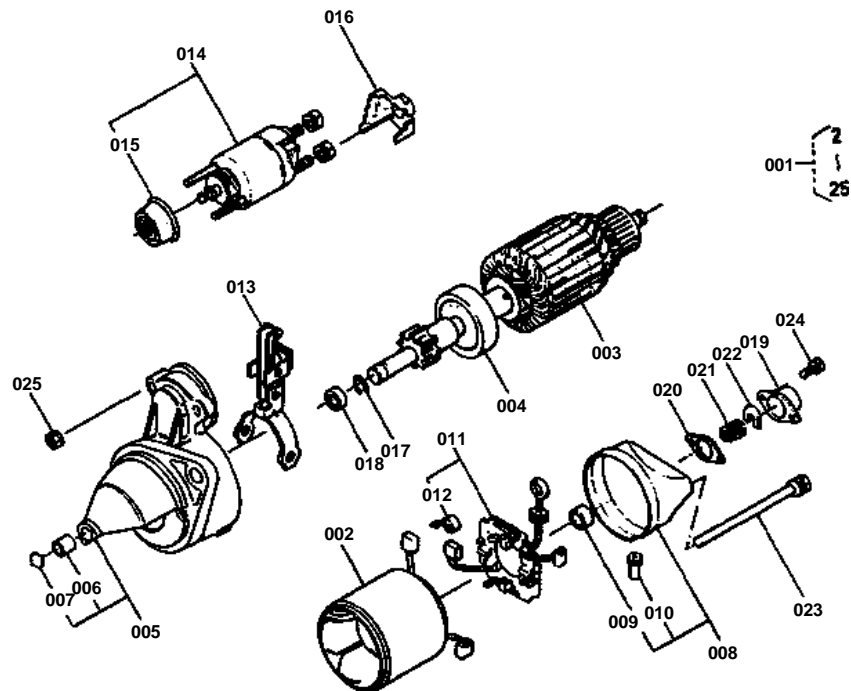


CONTROL VALVE [SECTION PARTS]

↔ Interchangeable; ≠ not interchangeable; ← new for old; → old for new

REF.No	Part No.	Description	Q'ty	S.No.	I/C	REMARKS	Weight (kgf)	Weight (lb)
001	67491-36200	ASSY VALVE CONTOROL	1			REF.No.002 TO 035	0	0
002	66611-36280	BODY,VALVE	1				1.59	3.498
003	66611-36290	SPOOL	1				0.172	0.3784
004	05411-00620	PIN,SPRING	1				0.002	0.0044
005	66591-36330	SEAT,RELIEF VALVE	1				0.008	0.0176
006	04811-15120	O RING	1				0.001	0.0022
007	66611-36222	RETAINER,SPRING	1				0.008	0.0176
008	07715-03211	BALL	1				0.003	0.0066
009	66591-36350	SPRING	1				0.01	0.022
010	66591-36360	SCREW	1				0.012	0.0264
011	04012-50060	WASHER,PLAIN	1				0.001	0.0022
012	66591-36370	COLLAR	1				0.016	0.0352
013	66611-36260	COVER,RELIEF	1				0.03	0.066
014	66591-36390	GASKET,RELIEF COVER	1				0	0
015	01202-50618	BOLT	2				0.006	0.0132
016	01202-50622	BOLT	2				0.007	0.0154
017	66591-36413	BOLT,ADJUSTING	1				0.028	0.0616
018	04811-10040	O RING	1				0.001	0.0022
019	02112-50100	NUT	1				0.004	0.0088
020	66591-36430	COVER,VALVE	1				0.18	0.396
021	67491-36250	LEVER,CONTROL	1				0.42	0.924
022	04811-00100	O RING	1				0.001	0.0022
023	66591-36450	ARM,VALVE GUIDE	1				0.05	0.11
024	66591-36480	BOLT	1				0.004	0.0088
025	04111-50060	WASHER	1				0.001	0.0022
026	07715-00803	BALL	1				0.004	0.0088
027	62061-18270	SPRING	1				0.003	0.0066
028	66591-36460	BOLT	1				0.054	0.1188
029	04714-00300	GASKET	1				0.002	0.0044
030	66591-36470	GASKET,VALVE COVER	1				0	0
031	01050-50650	BOLT	2				0.012	0.0264
032	01050-50665	BOLT	2				0.014	0.0308
033	04512-50060	WASHER,SPRING	4				0	0
034	04811-00120	O RING	2				0.001	0.0022
035	66611-36330	SHIM,ADJUSTING	1				0.001	0.0022

STARTER [SECTION PARTS]



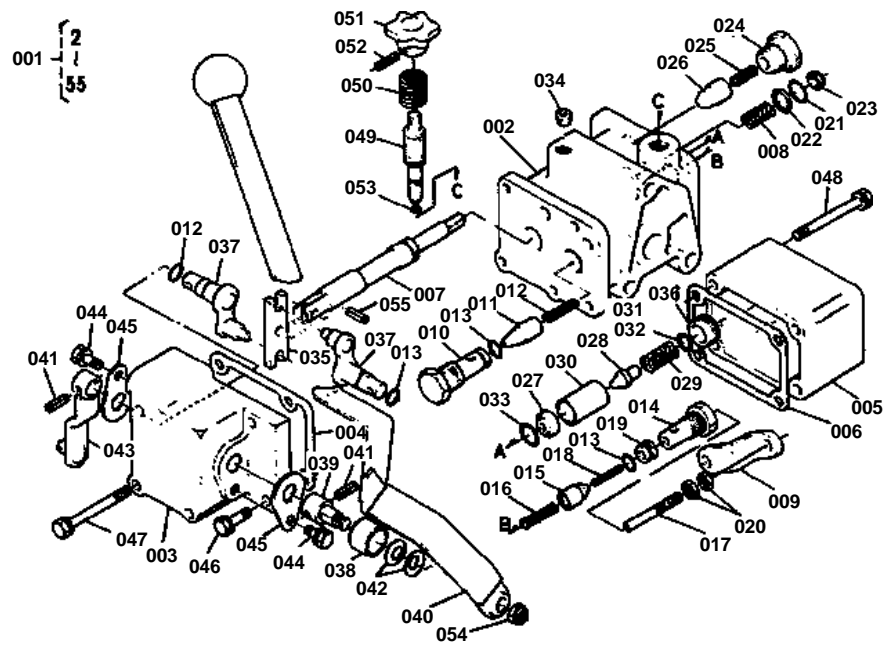


STARTER [SECTION PARTS]

↔ Interchangeable; ≠ not interchangeable; ← new for old; → old for new

REF.No	Part No.	Description	Q'ty	S.No.	I/C	REMARKS	Weight (kgf)	Weight (lb)
001	15231-63010	ASSY STARTER	1			REF.No.002 TO 025	0	0
002	14278-63080	YOKE	1				1.42	3.124
003	14278-63070	ARMATURE	1				1.25	2.75
004	14278-63040	CLUTCH	1				0.32	0.704
005	15231-63032	FRAME,DRIVE END	1			REF.No.006,007	0.39	0.858
006	17016-63250	BUSH	1				0.006	0.0132
007	14278-96160	COVER	1				0.002	0.0044
008	14278-63200	ASSY END FRAME	1			REF.No.009,010	0.2	0.44
009	14278-63250	BUSH	1				0.002	0.0044
010	14601-63570	PIPE,BREATHER	1				0.002	0.0044
011	14278-63380	ASSY HOLDER,BRUSH	1			REF.No.012	0.06	0.132
012	14278-63390	SPRING,BRUSH	4				0.003	0.0066
013	14278-63050	LEVER,DRIVE	1				0.06	0.132
014	15231-63022	SWITCH,MAGNETIC	1			REF.No.015	0.65	1.43
015	14278-63450	COVER	1				0.01	0.022
016	14278-63120	COVER,CORD	1				0.003	0.0066
017	15221-94820	PIN,SNAP	1				0.001	0.0022
018	15321-63250	NUT,PINION STOP	1				0.005	0.011
019	14278-63510	CAP,END FRAME	1				0.015	0.033
020	14278-63520	GASKET	1				0.001	0.0022
021	14278-63190	SPRING,BRAKE	1				0.01	0.022
022	14278-63180	SHOE,BRAKE	1				0.005	0.011
023	14278-63320	BOLT,THROUGH	2				0.02	0.044
024	03024-50414	SCREW	2				0.002	0.0044
025	14278-92010	NUT	2				0.001	0.0022

CONTROL VALVE (OPTION) [SECTION PARTS]





CONTROL VALVE (OPTION) [SECTION PARTS]

↔ Interchangeable; ≠ not interchangeable; ← new for old; → old for new

REF.No	Part No.	Description	Q'ty	S.No.	I/C	REMARKS	Weight (kgf)	Weight (lb)
001	67401-36200	ASSY VALVE,CONTROL	1			REF.No.002 TO 055	5	11
002	99999-99999	BLANK	0			ORDER BY REF.No.001	0	0
003	67401-03620	COVER,VALVE	1				0.98	2.156
004	67401-03630	GASKET,VALVE COVER	1				0	0
005	67401-03640	COVER,RELIEF	1				0.226	0.4972
006	67401-03650	GASKET,RELIEF COVER	1				0	0
007	99999-99999	BLANK	0			ORDER BY REF.No.001	0	0
008	99999-99999	BLANK	0			ORDER BY REF.No.001	0	0
009	67401-03670	PLATE,CONNECTING	1				0.044	0.0968
010	67531-38450	PLUG 1	1				0.05	0.11
011	67531-38430	POPPET 1	1				0.015	0.033
012	67531-38440	SPRING 1	1				0.001	0.0022
013	04810-00090	O RING	4				0.001	0.0022
014	67401-03680	PLUG 2	1				0.03	0.066
015	31351-39220	POPPET 2	1				0.02	0.044
016	31351-39230	SPRING 2	1				0.008	0.0176
017	67531-38350	ROD,PUSH	1				0.01	0.022
018	05411-00328	PIN,SPRING	1				0.001	0.0022
019	31351-39280	VALVE,CHECK	1				0.01	0.022
020	02014-50060	NUT	2				0.003	0.0066
021	67401-03690	RING	1				0.001	0.0022
022	67401-03710	SUPPORT,SPRING	1				0.001	0.0022
023	67531-38310	U NUT	1				0.004	0.0088
024	31351-39150	POPPET	1				0.02	0.044
025	67531-38470	SPRING	1				0.001	0.0022
026	31351-39140	PLUG	1				0.05	0.11
027	67111-37320	HOLDER	1				0.01	0.022
028	67111-37330	POPPET	1				0.008	0.0176
029	67111-37370	SPRING,RELIEF 2	1				0.01	0.022
030	67111-37340	COLLAR	1				0.021	0.0462
031	67111-37530	SHIM 1	1				0.001	0.0022
032	67111-37580	SHIM 2	1				0.001	0.0022
033	04811-00120	O RING	1				0.001	0.0022
034	67810-38382	PLUG	2				0.003	0.0066
035	67401-03720	LEV.SPOOL OPERATING	1				0.02	0.044
036	67111-37350	SCREW,ADJUSTING	1				0.02	0.044
037	67401-03730	SHAFT,CONTROL LEVER	2				0.05	0.11
038	67401-03740	COLLAR	1				0.02	0.044
039	67401-03750	SHAFT,CONTROL ARM	1				0.02	0.044
040	67401-03760	LEVER,CONTROL	1				0	0
041	05411-00515	PIN,SPRING	2				0	0
042	67531-38630	WASHER	2				0.002	0.0044
043	67401-03770	ARM,FEEDBACK	1				0.05	0.11
044	01202-50610	BOLT	2				0.004	0.0088
045	67531-38612	PLATE 1	2				0.012	0.0264
046	01202-50620	BOLT	2				0.007	0.0154
047	01202-50655	BOLT	3				0	0
048	01202-50660	BOLT	4				0	0
049	67401-03780	BOLTS,ADJUSTING	1				0.04	0.088
050	67401-03790	SPRING	1				0.003	0.0066
051	34150-37230	GRIP,LEVER	1				0.04	0.088
052	05411-00418	PIN,SPRING	1				0.001	0.0022
053	04811-00060	O RING	1				0.001	0.0022
054	67401-03810	U NUT	1				0.002	0.0044
055	05411-00616	PIN,SPRING	1				0.002	0.0044

IMAGE NOT AVAILABLE



ACCESSORIES AND SERVICE PARTS

↔ Interchangeable; ≠ not interchangeable; ← new for old; → old for new

REF.No	Part No.	Description	Q'ty	S.No.	I/C	REMARKS	Weight (kgf)	Weight (lb)
001	67401-62916	MANUAL,INSTRUCTION	1				0	0
002	10261-95320	WRENCH,FILTER	1				0.05	0.11
003	15241-86610	INHIBITOR,FUR	1				0.133	0.2926
004	67401-62930	ASSY SPACER,CLUTCH	1			REF.No.005,006	0.03	0.066
005	67211-62940	PIECE,DISTANCE	1				0.08	0.176
006	67401-62950	LABEL	1				0.002	0.0044
007	67111-55190	RING,FUSIBLE	1				0.005	0.011
008	67571-55750	ASSY HOLDER,FUSE	1			REF.No.009,010	0.006	0.0132
009	54611-41720	FUSE 5	1				0.001	0.0022
010	54711-41220	FUSE 10	1				0.001	0.0022
011	67211-62940	PIECE,DISTANCE	1				0.08	0.176
012	66704-81700	KIT NUT,TAPER	1			REF.No.013	0	0
013	35340-11390	NUT	12				0.03	0.066